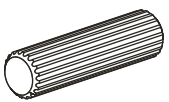
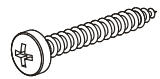
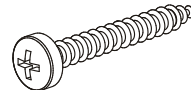
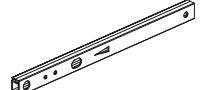
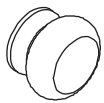
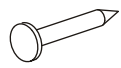


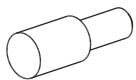
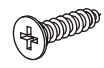
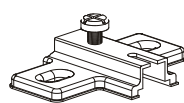
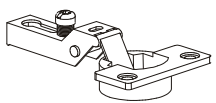

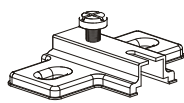
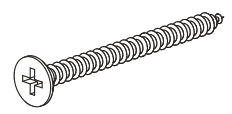
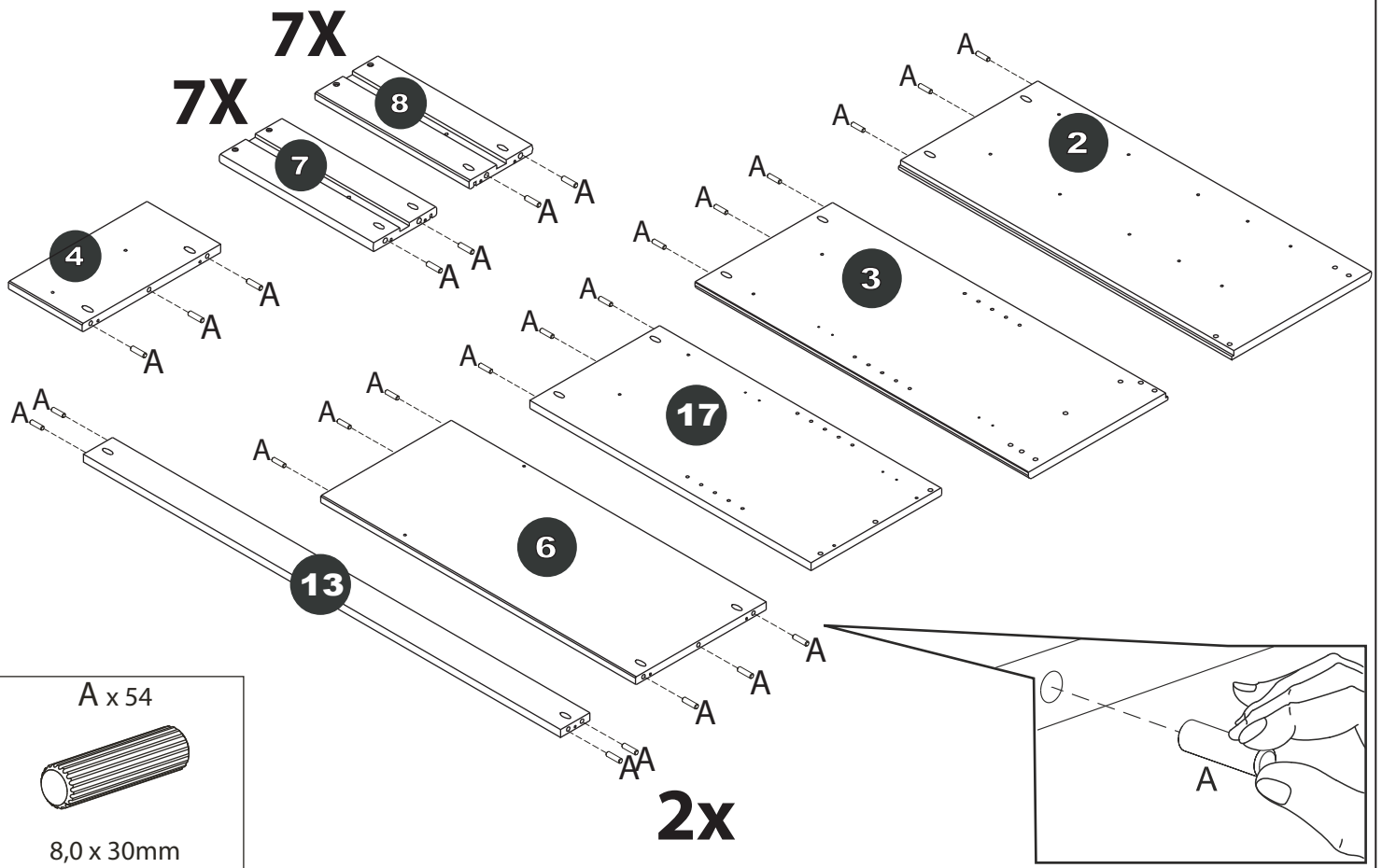


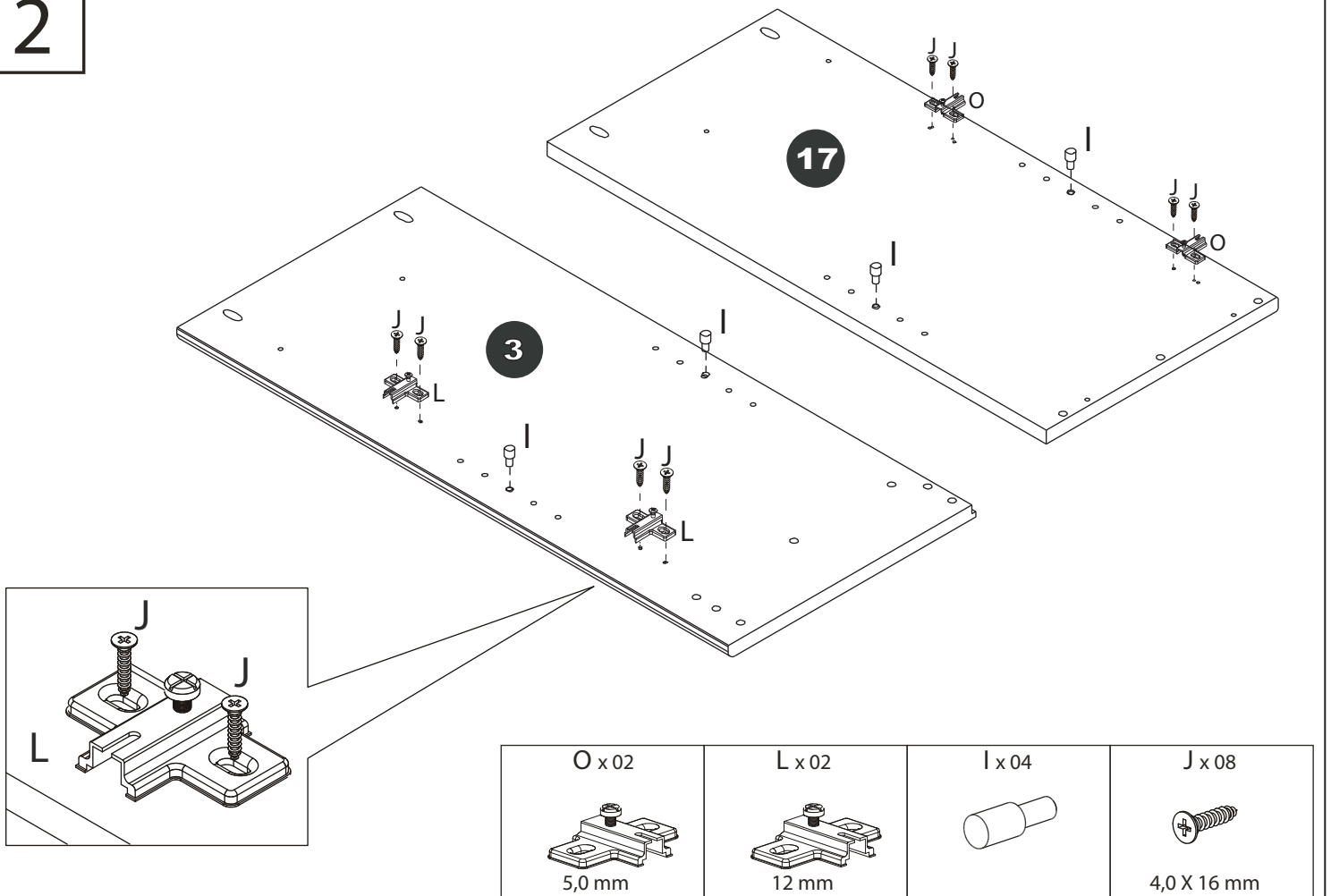
**7X**

<p><b>A x 54</b></p>  <p>8,0 x 30mm</p>	<p><b>B x 82</b></p>  <p>3,5 x 30mm</p>	<p><b>C x 09</b></p>  <p>4,0 x 40mm</p>	<p><b>D x 14</b></p> 	<p><b>E x 09</b></p> 
<p><b>F x 32</b></p> 	<p><b>G x 16</b></p>  <p>6,0 x 10mm</p>	<p><b>H x 14</b></p>  <p>M4 x 10mm</p>	<p><b>I x 04</b></p> 	<p><b>J x 16</b></p>  <p>4,0 x 16 mm</p>
<p><b>L x 02</b></p>  <p>12 mm</p>	<p><b>M x 04</b></p> 	<p><b>N x 12</b></p>  <p>6,0 x 20mm</p>	<p><b>O x 02</b></p>  <p>5,0 mm</p>	<p><b>P x 04</b></p>  <p>4,0 x 40mm</p>

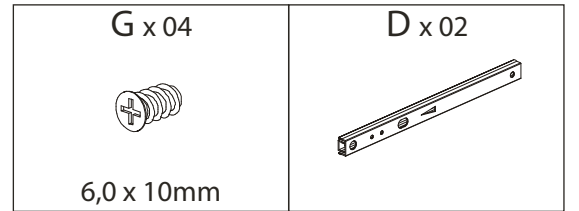
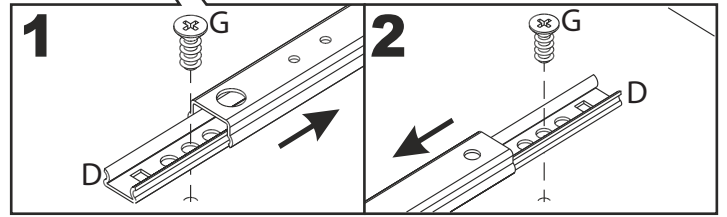
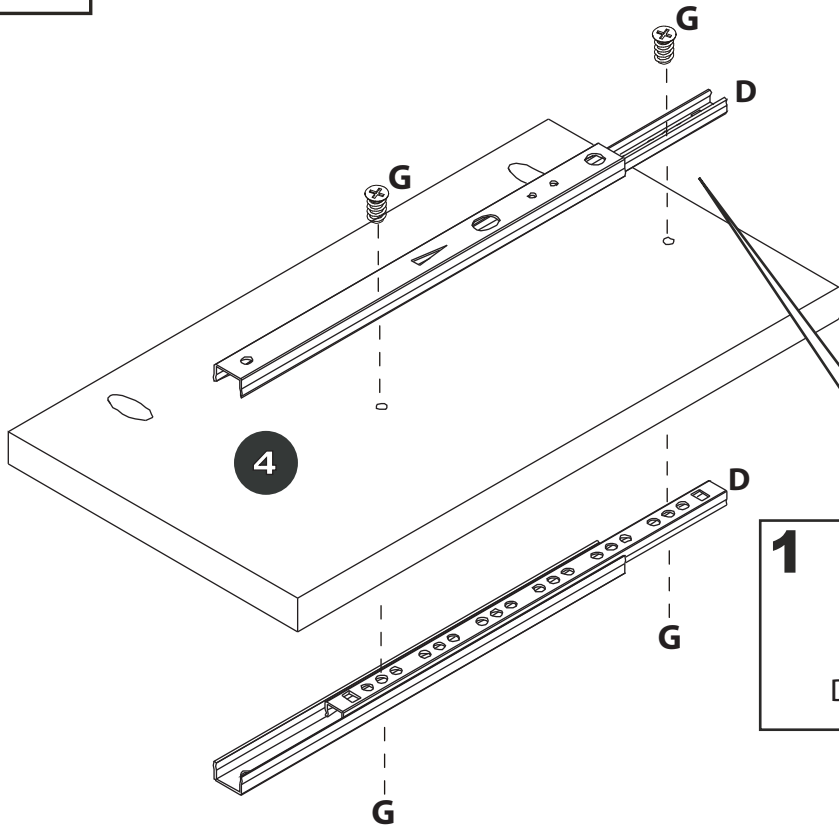
1



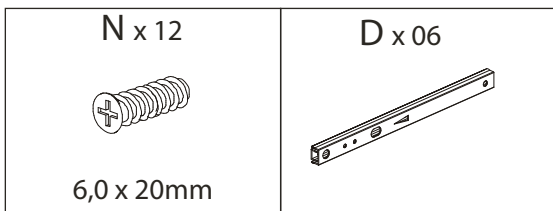
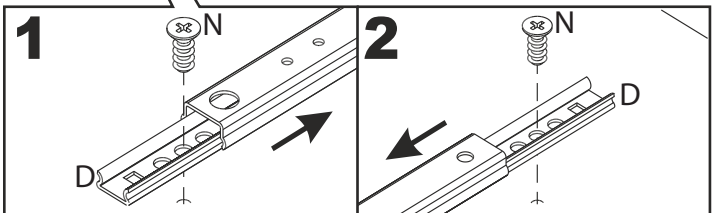
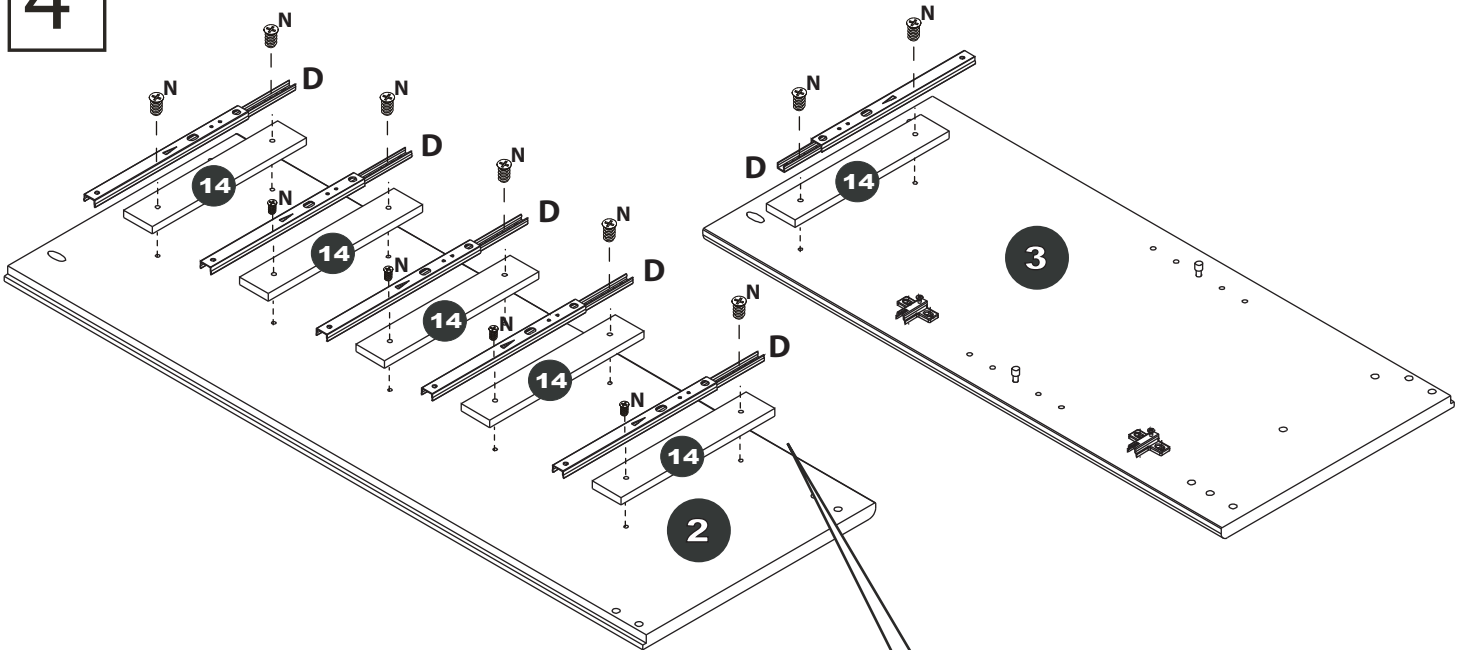
2



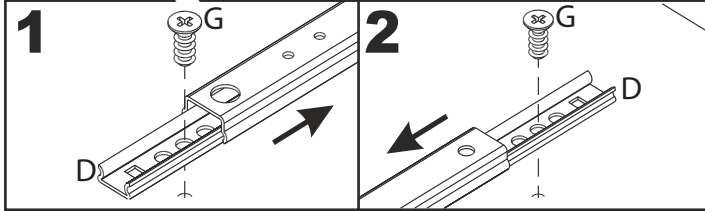
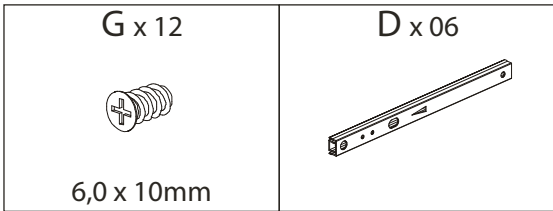
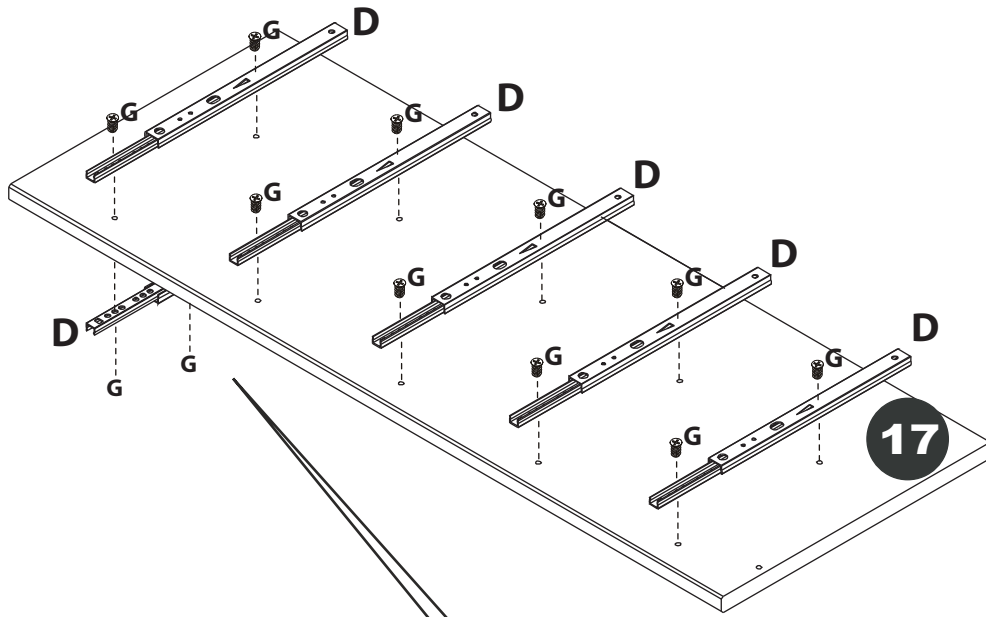
3



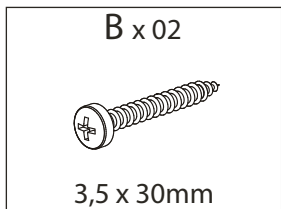
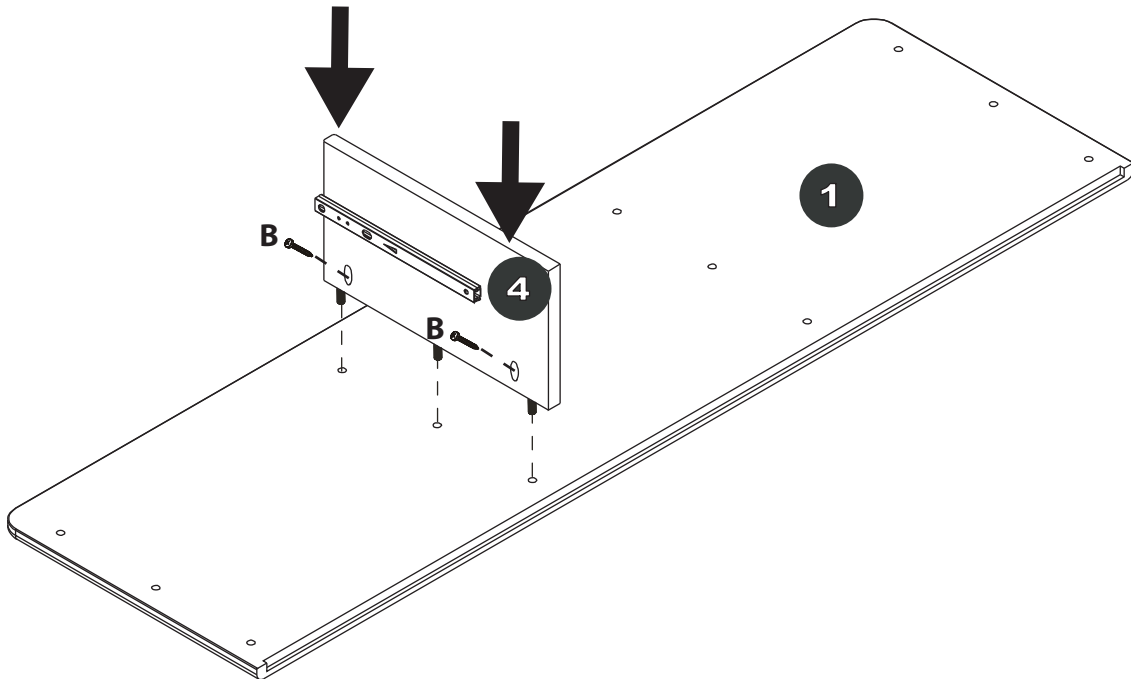
4



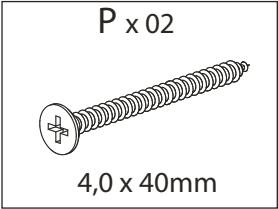
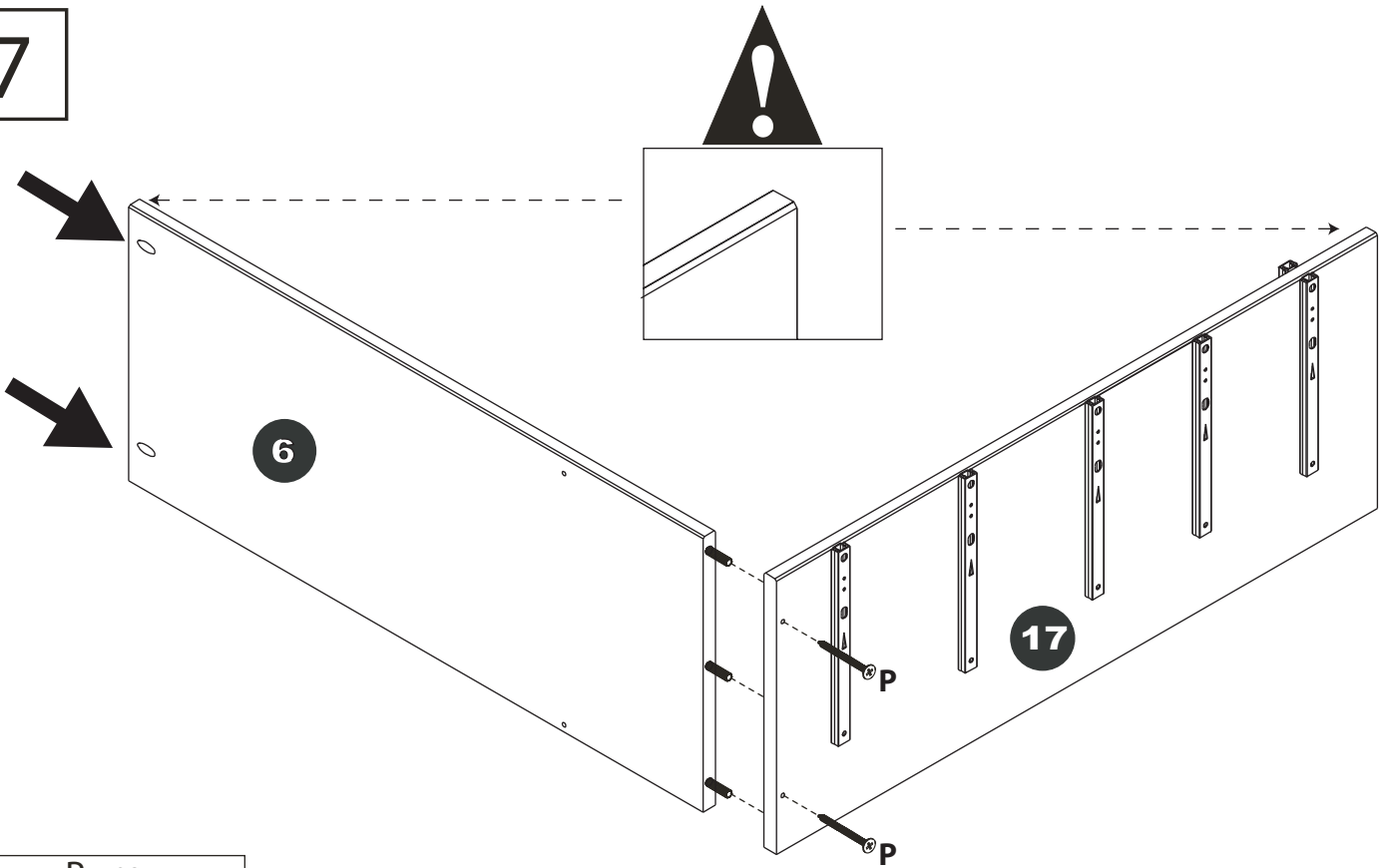
5



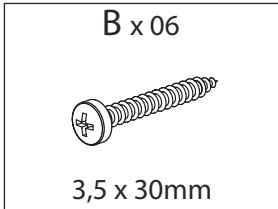
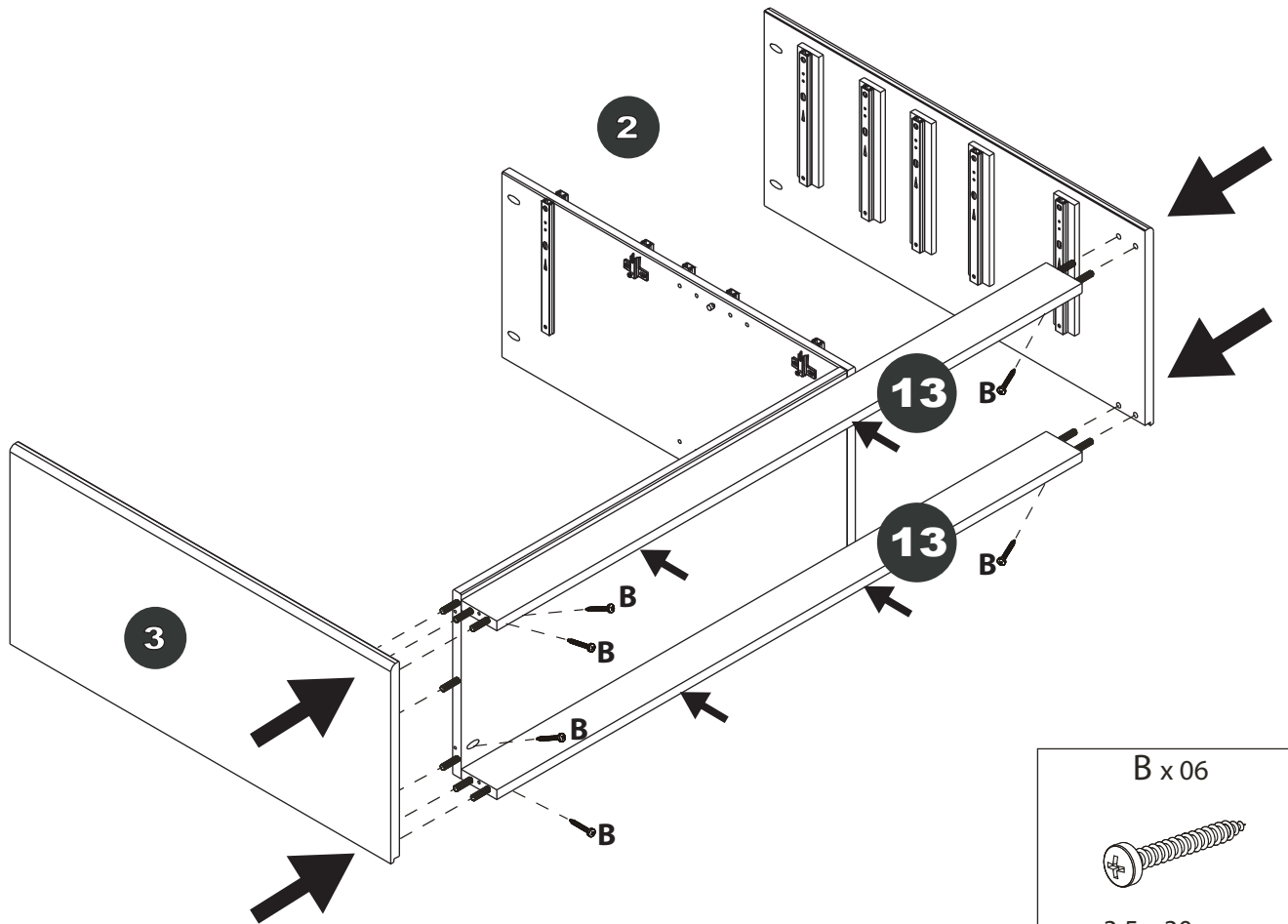
6



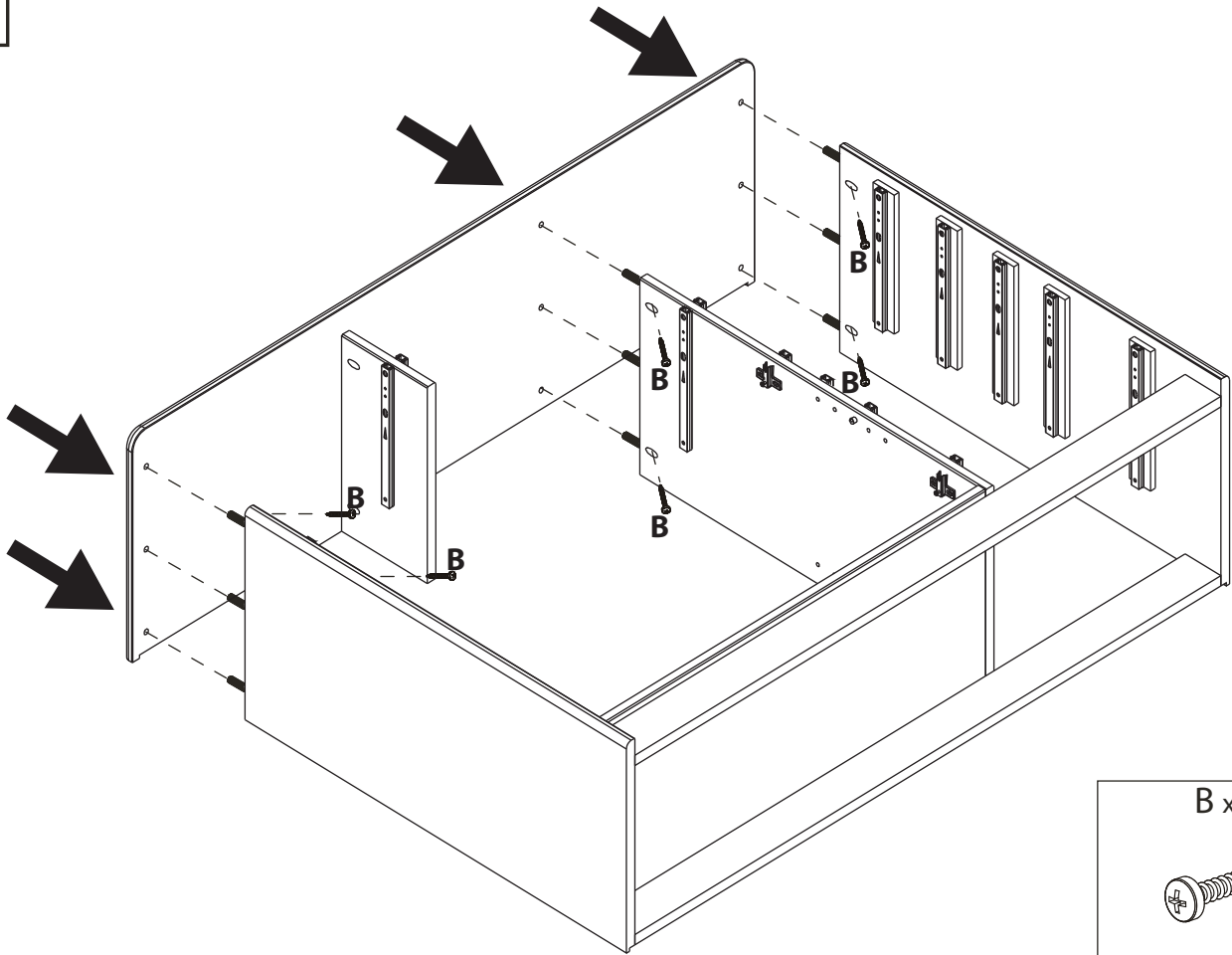
7



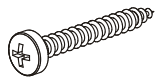
8



9

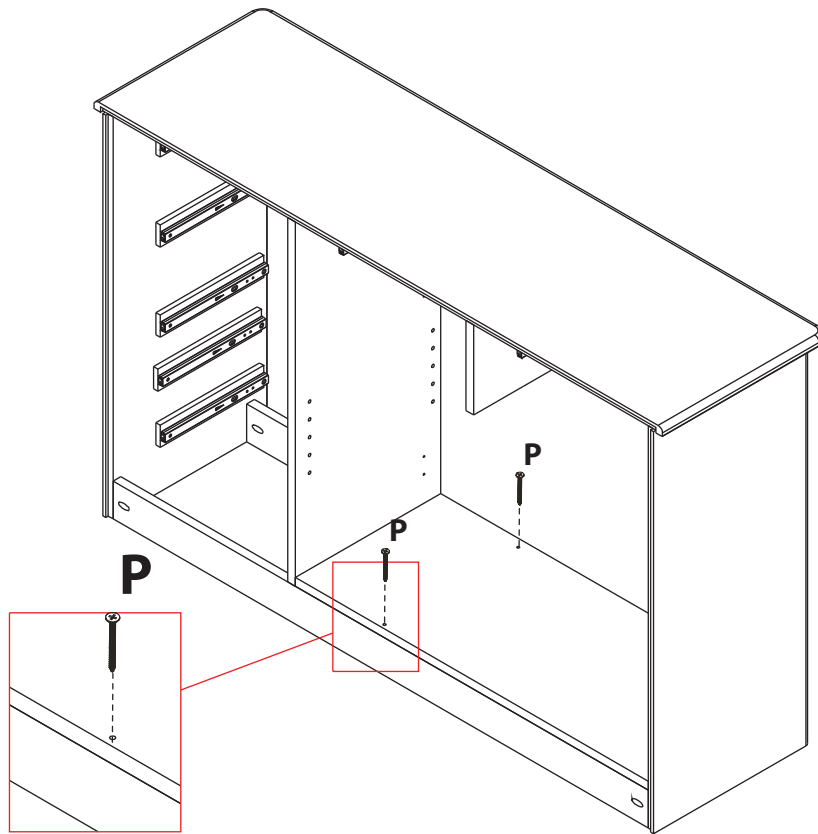


B x 06

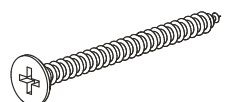


3,5 x 30mm

10

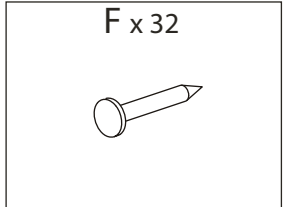
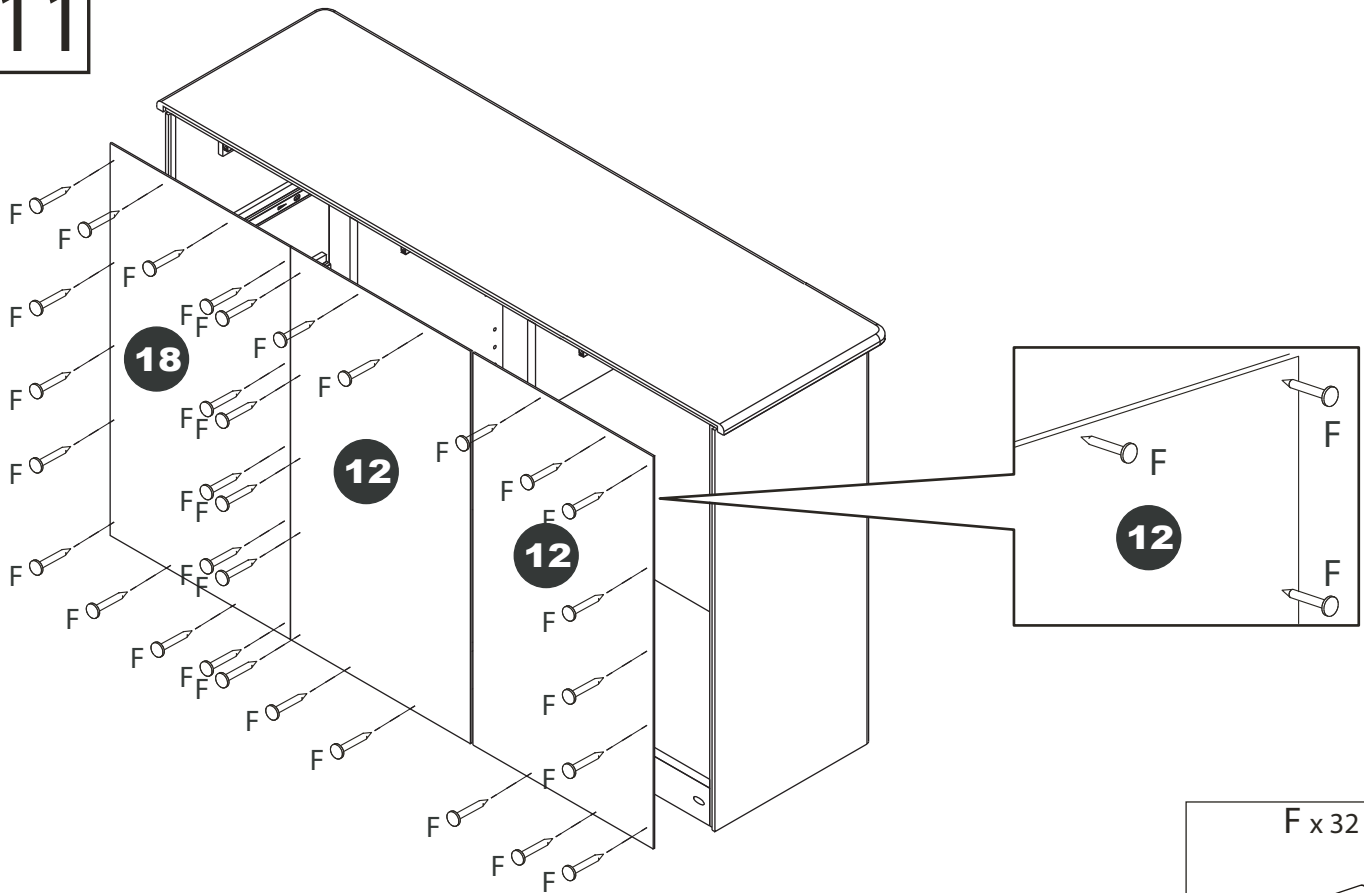


P x 02

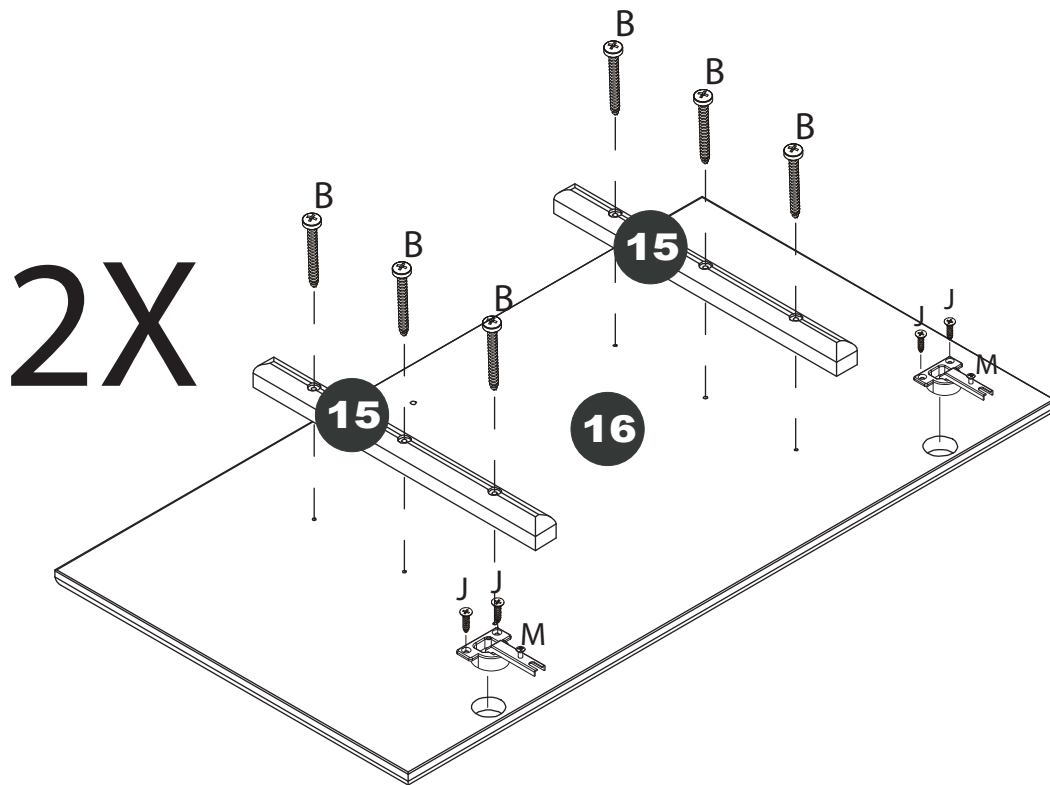


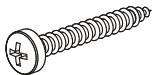
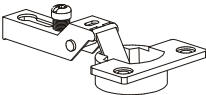
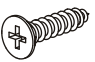
4,0 x 40mm

11



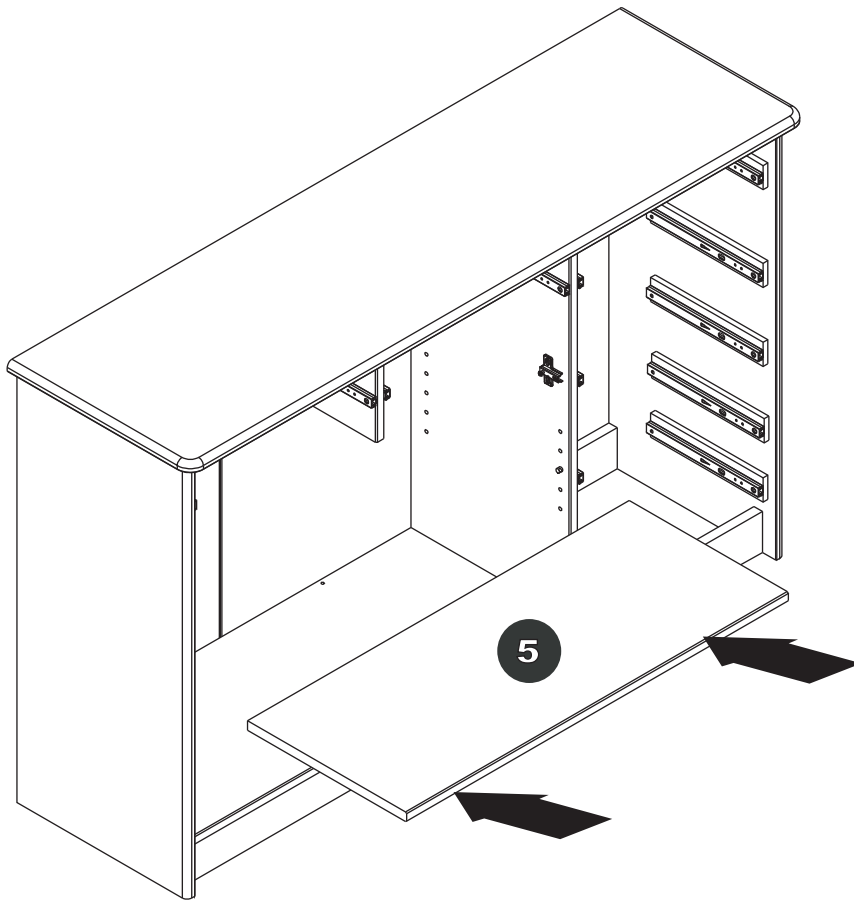
12



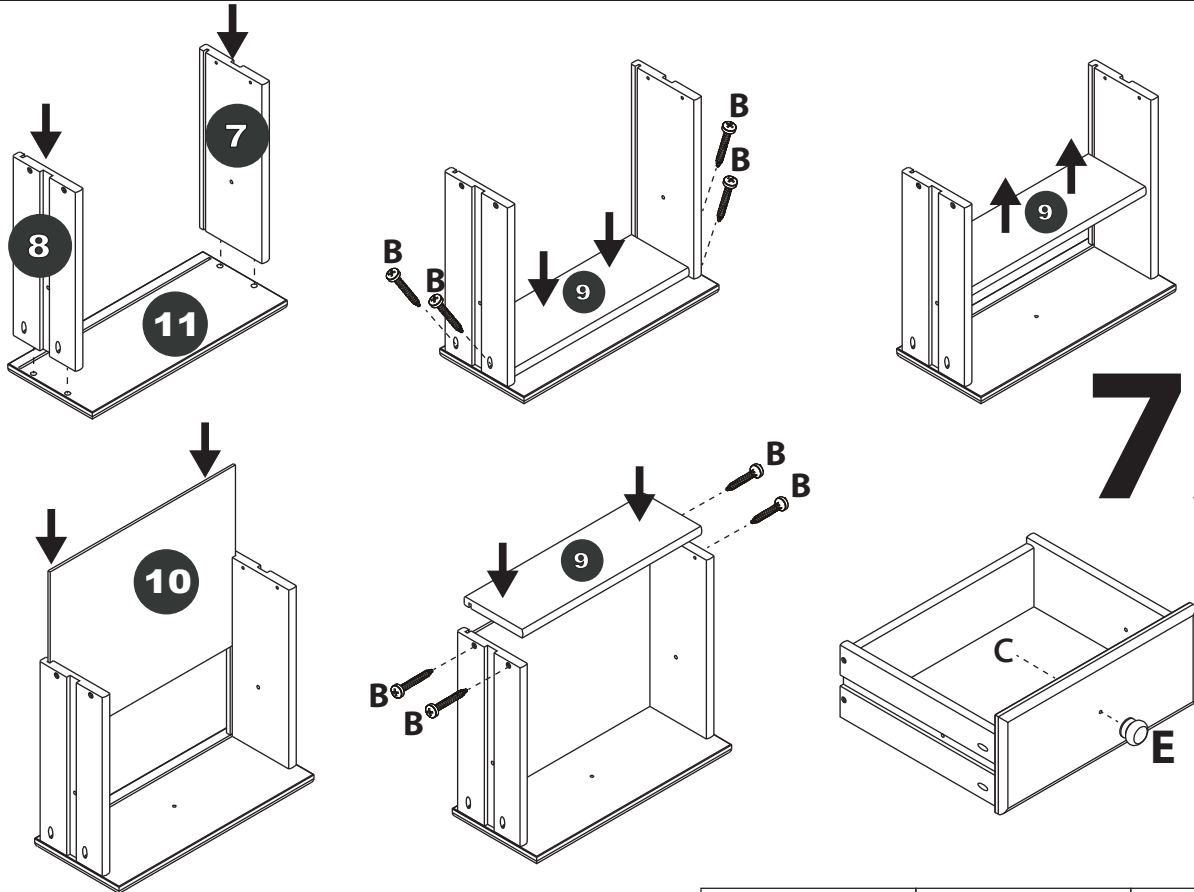
<p>B x 12</p>  <p>3,5 x 30mm</p>	<p>M x 04</p> 	<p>J x 08</p>  <p>4,0 X 16 mm</p>
---	---	--

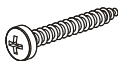
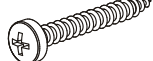



13

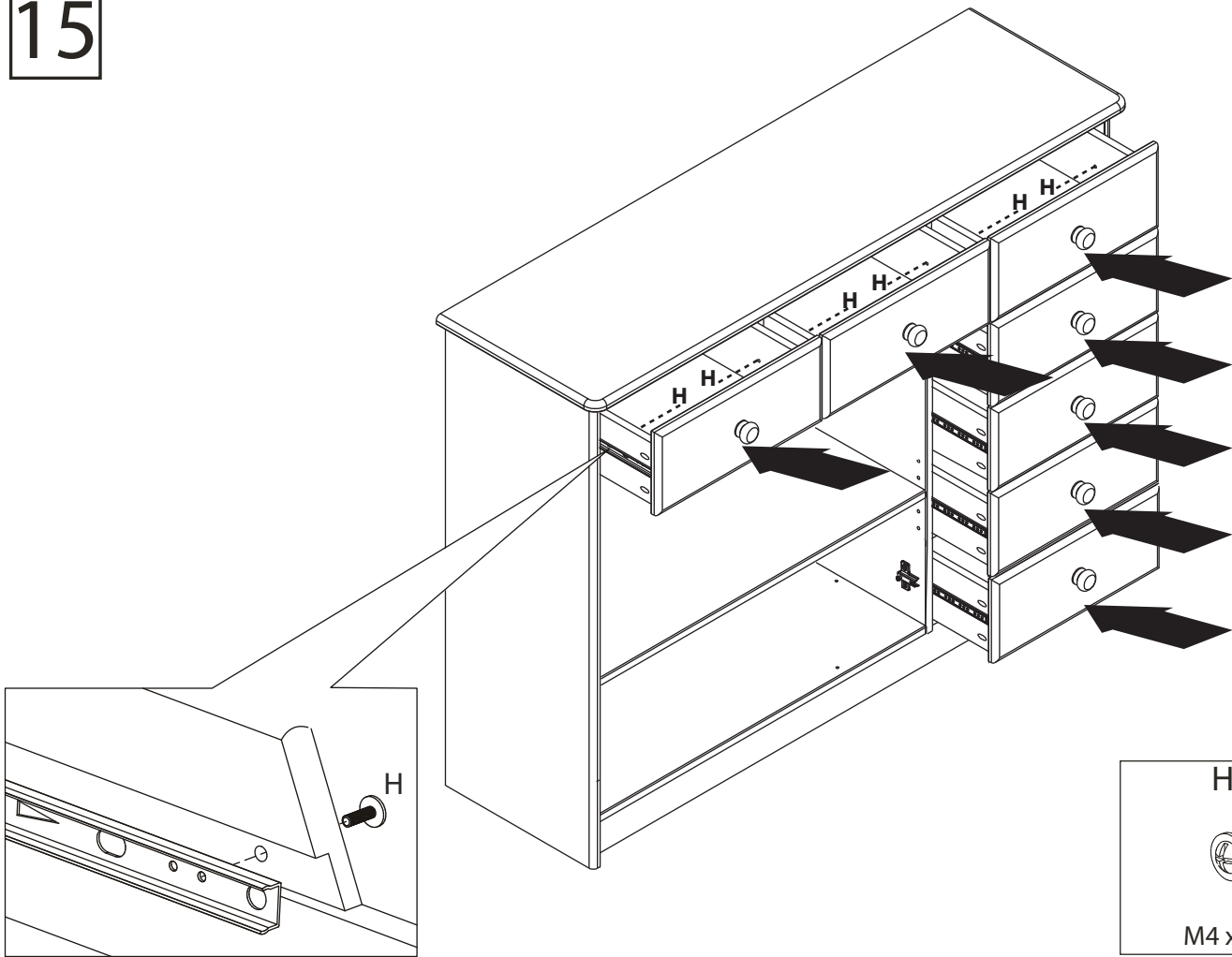


14

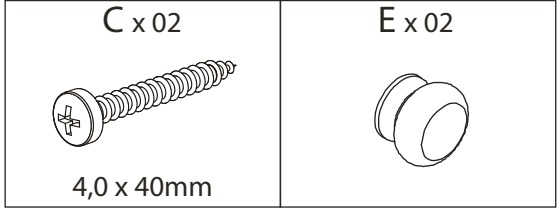
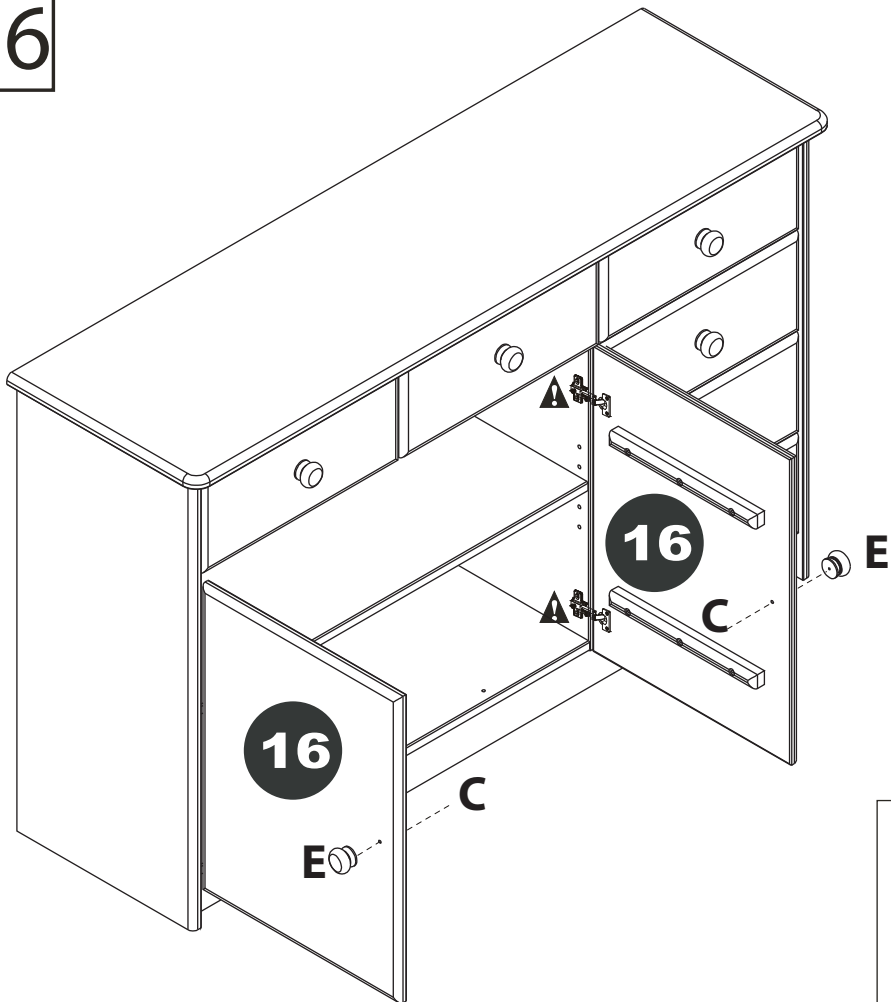


B x 56	C x 07	E x 07
		
3,5 x 30mm	4,0 x 40mm	

15



16



17

