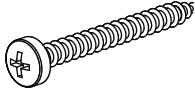

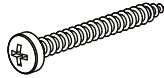
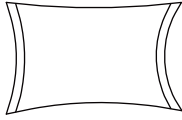

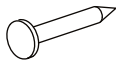

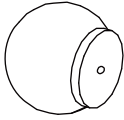
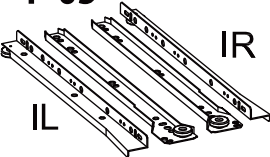
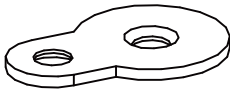
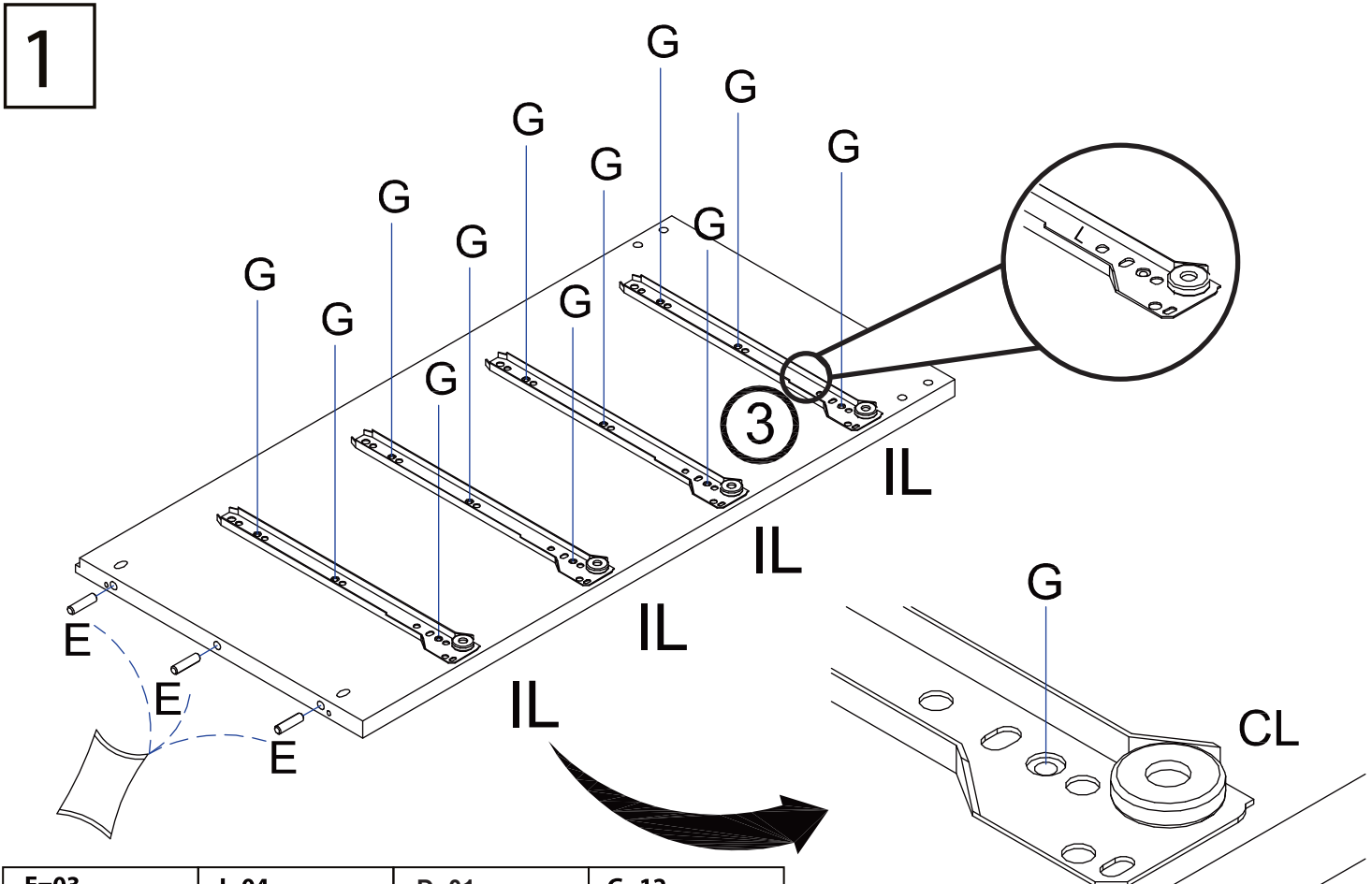

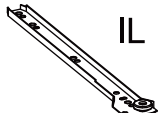
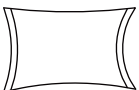

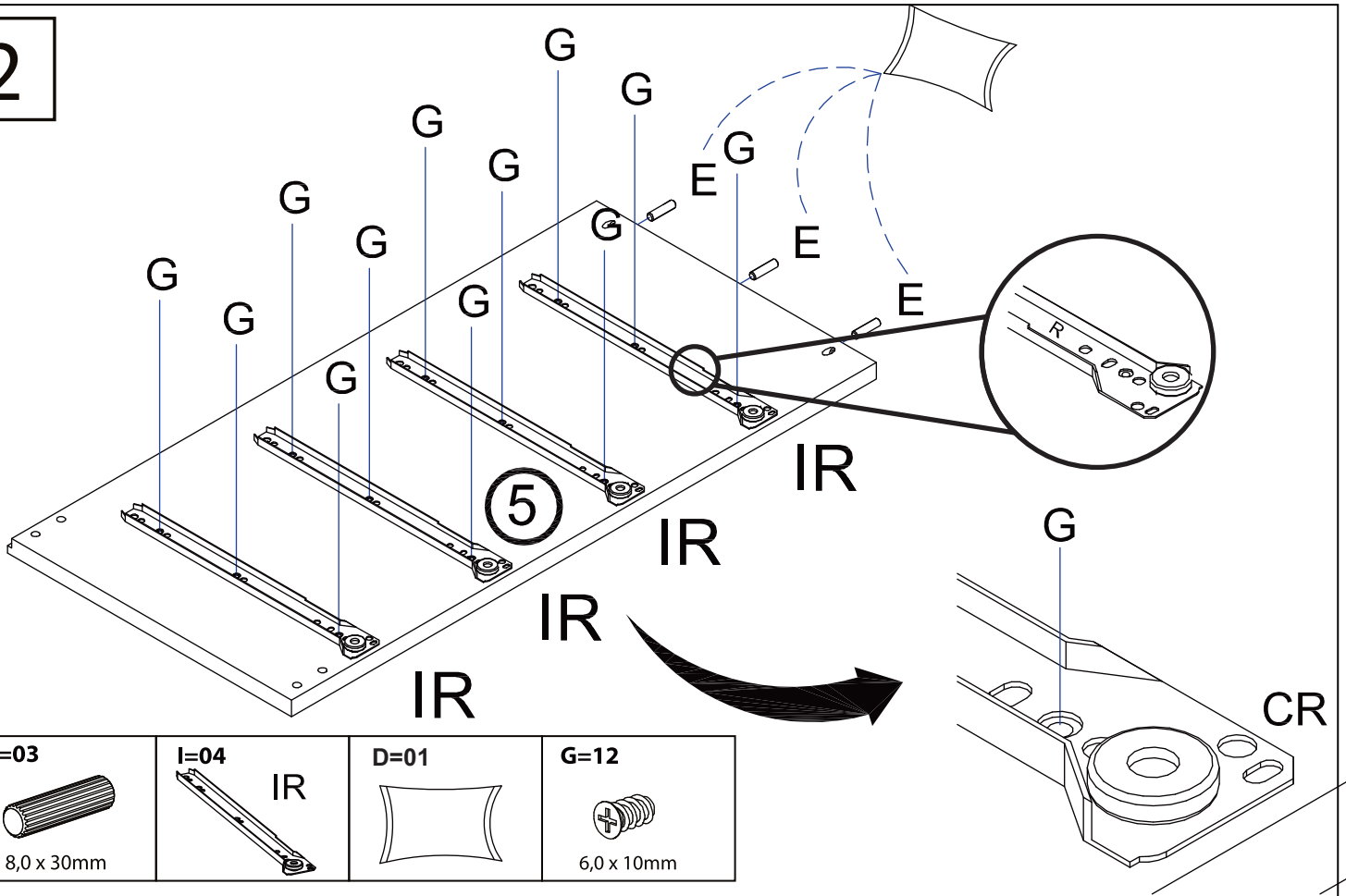



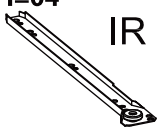
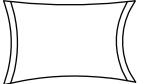

A=09  4,0 x 40mm	B=31  3,0 x 12mm	C=51  3,5 x 30mm	D=01 	E=37  8,0 x 30mm
F=22 	G=30  6,0 x 10mm	H=08 	I=05  IL IR	J=01 



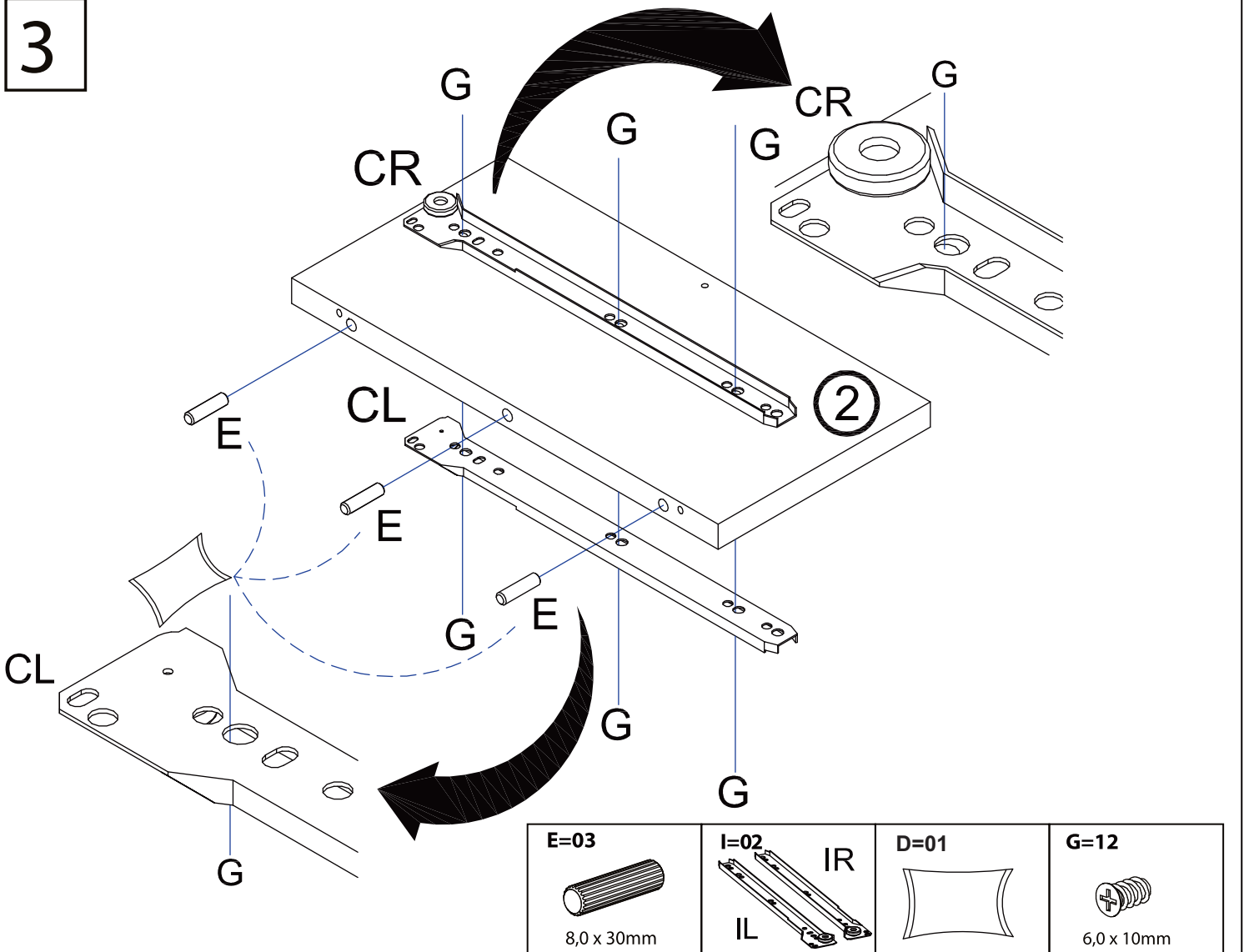
E=03  8,0 x 30mm	I=04  IL	D=01 	G=12  6,0 x 10mm
---	--	--	--





2



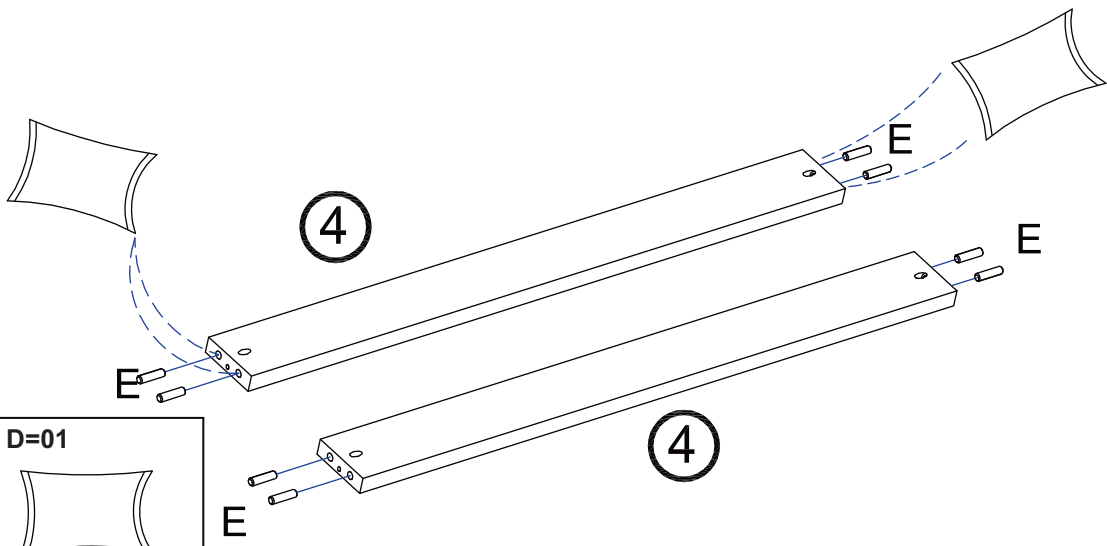
<p>E=03</p>  <p>8,0 x 30mm</p>	<p>I=04</p>  <p>IR</p>	<p>D=01</p> 	<p>G=12</p>  <p>6,0 x 10mm</p>
---	--	--	--

3



<p>E=03</p>  <p>8,0 x 30mm</p>	<p>I=02</p>  <p>IR</p>	<p>D=01</p> 	<p>G=12</p>  <p>6,0 x 10mm</p>
--	---	--	--

4

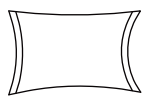


E=08

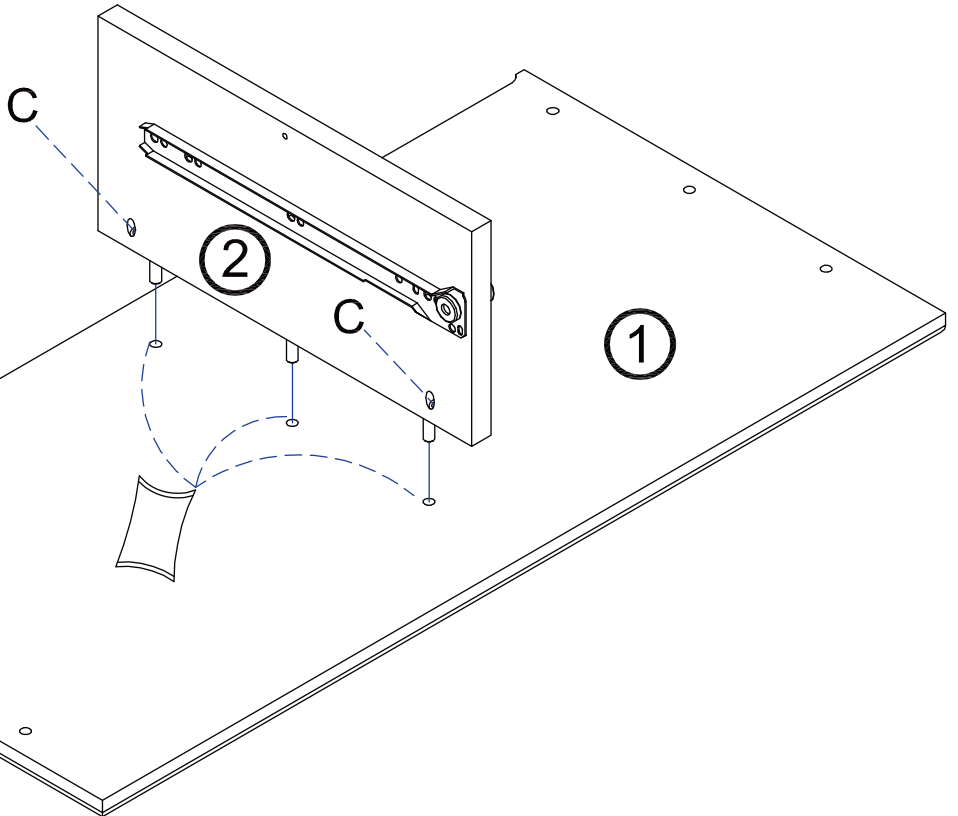


8,0 x 30mm

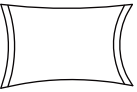
D=01



5



D=01

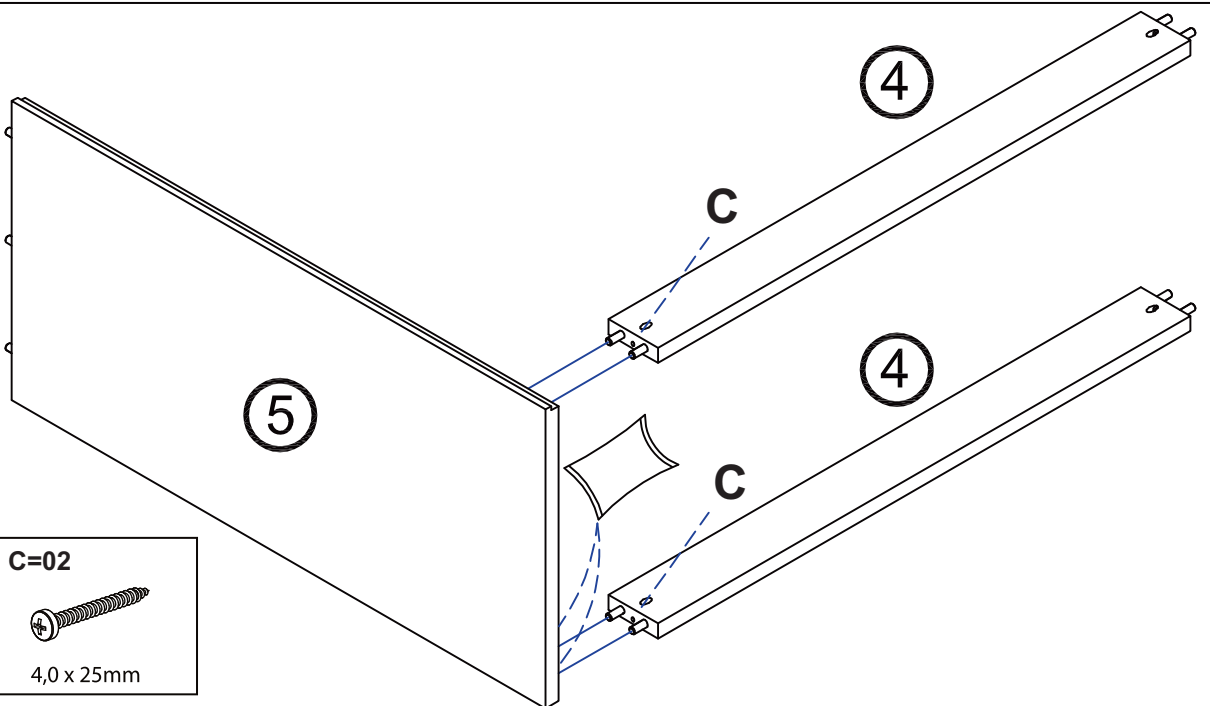


C=02

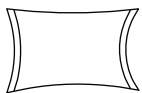


3,5 x 30mm

6



D=01

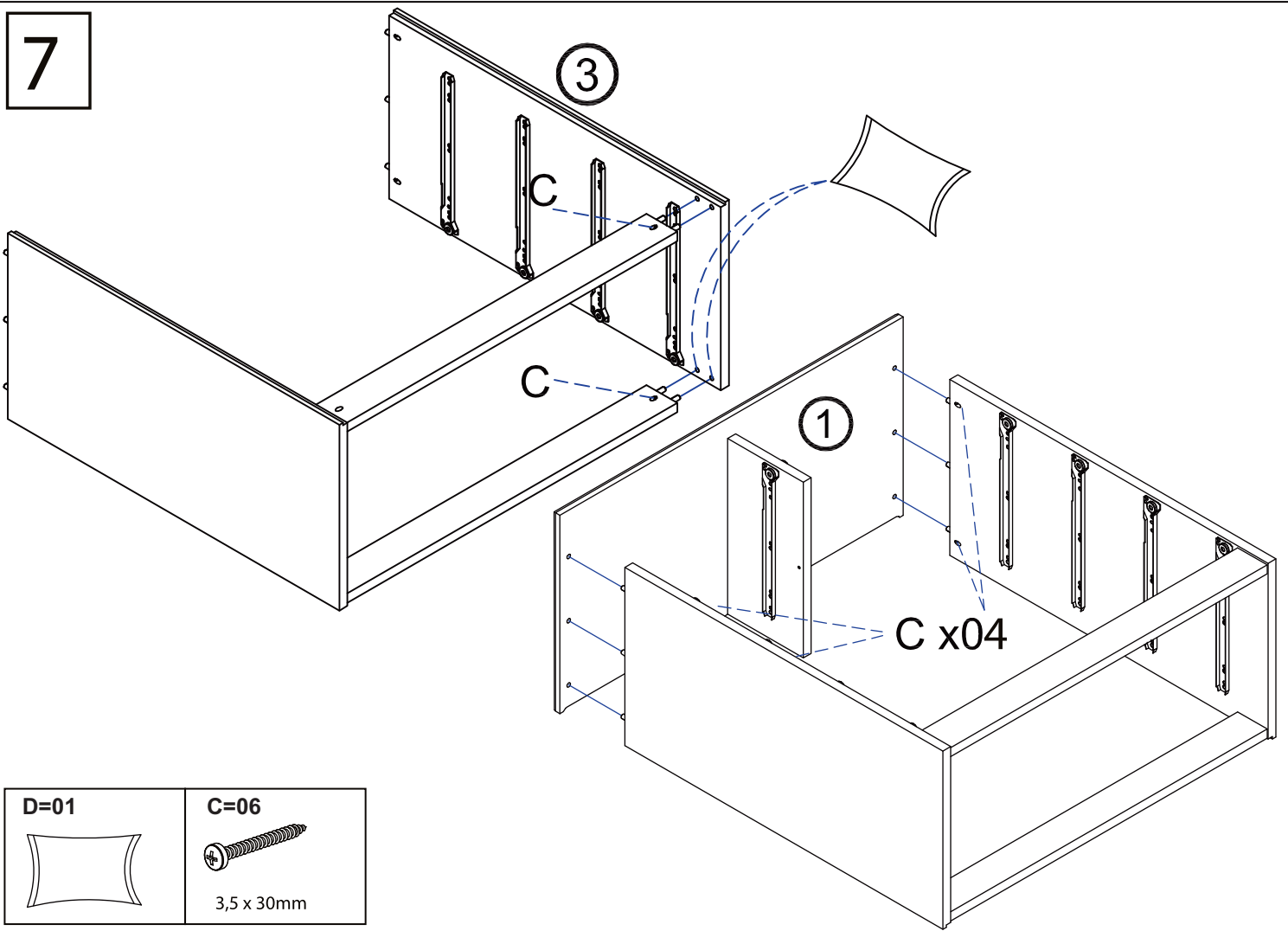


C=02

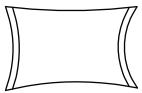


4,0 x 25mm

7



D=01

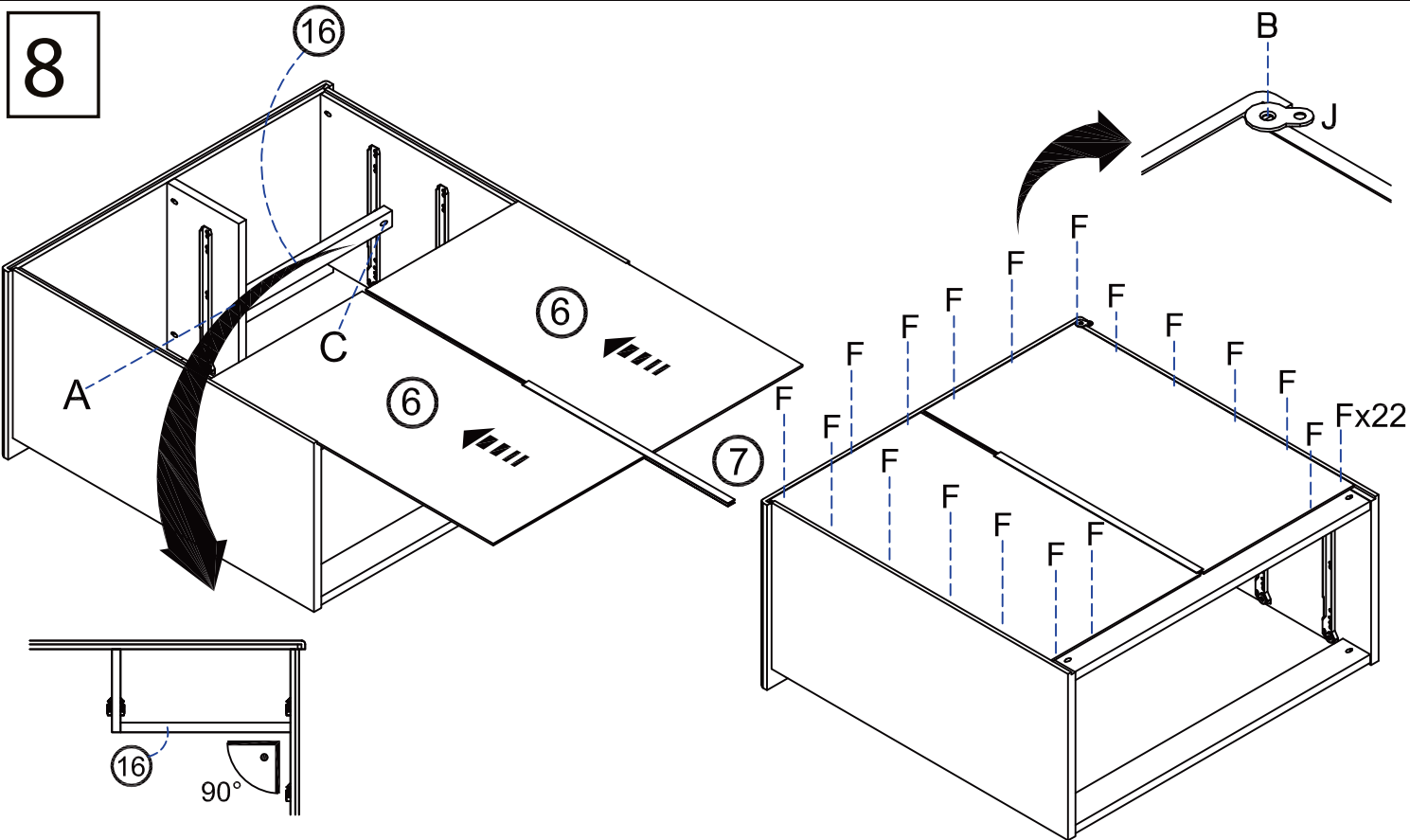


C=06



3,5 x 30mm

8



C=01



3,5 x 30mm

A=01



4,0 x 40mm

F=22



B=01



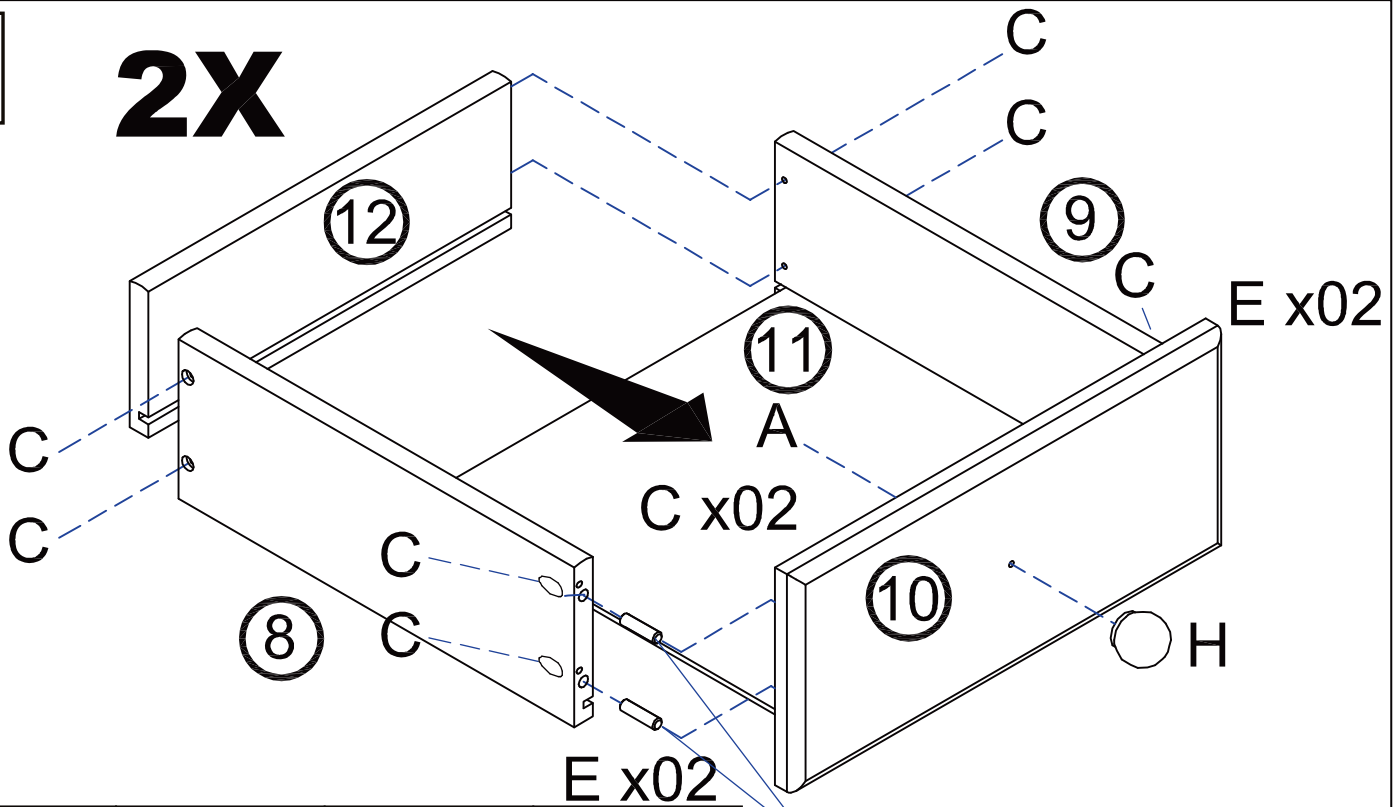
3,0 x 12mm





J=01



9

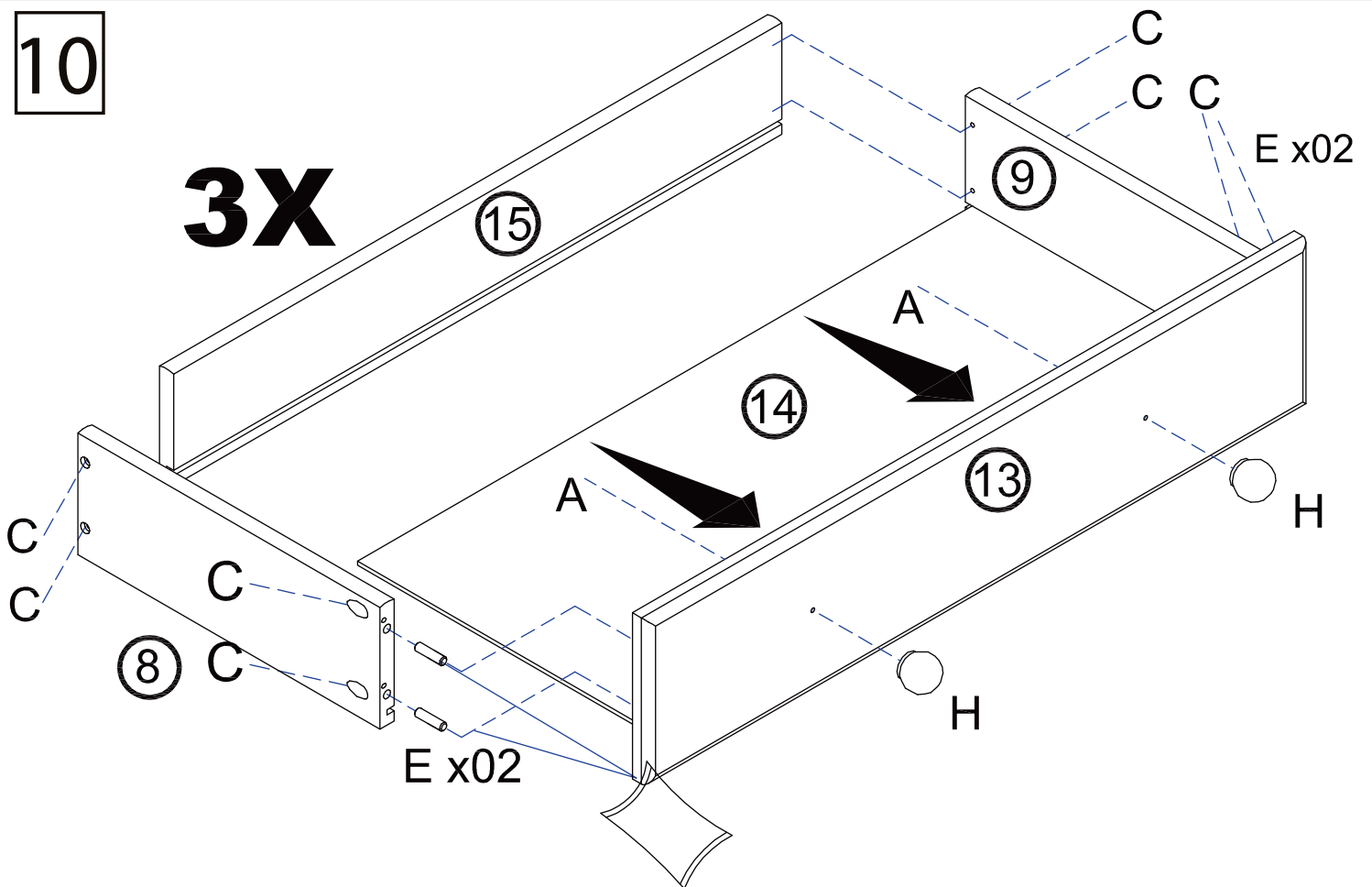
2X







C=16  3,5 x 30mm	E=08  8,0 x 30mm	D=01 	H=02 
---	--	--	--

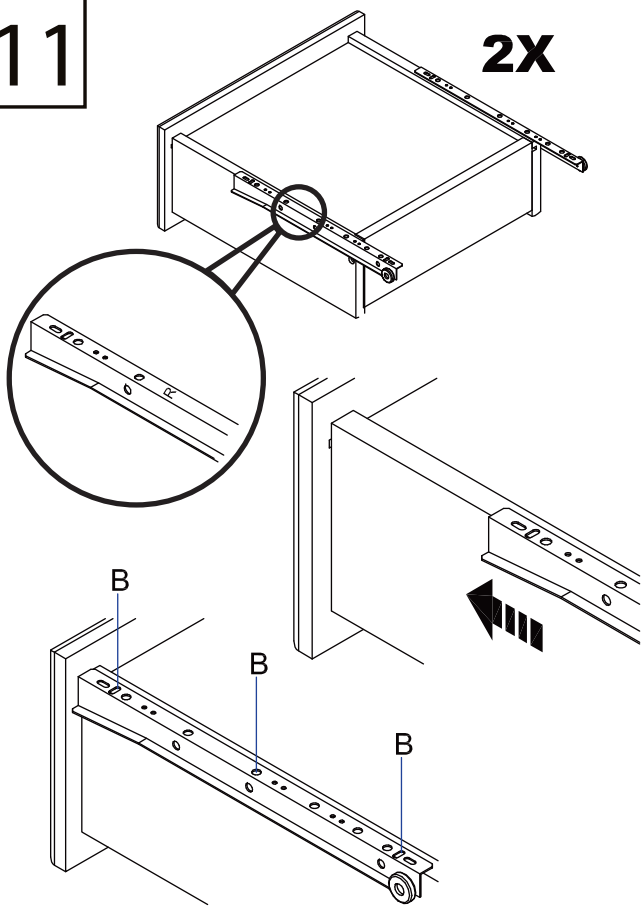
10

3X



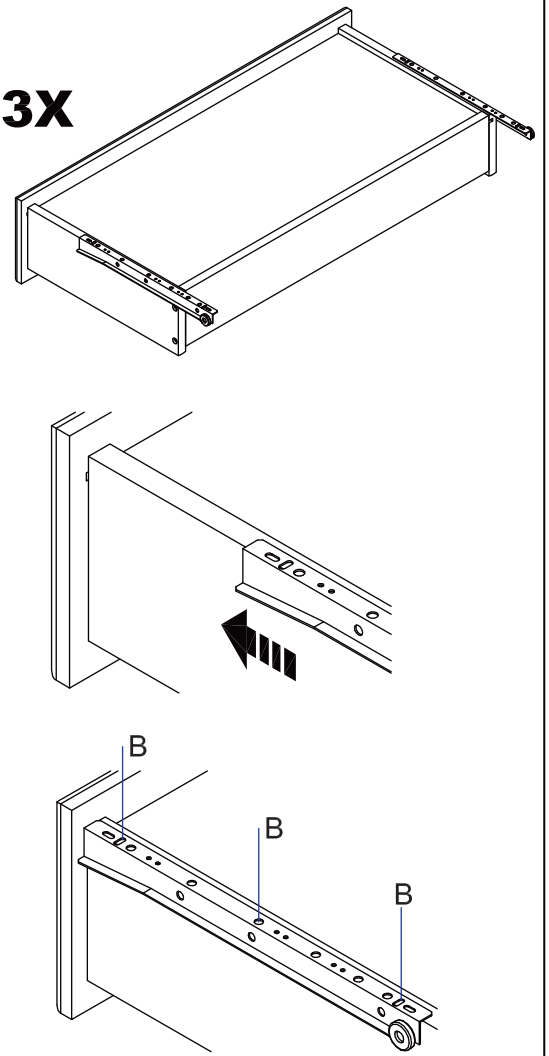
C=24  3,5 x 30mm	E=12  8,0 x 30mm	D=01 	H=06 
---	--	--	--


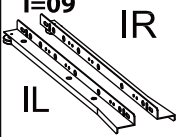
11



2X

3X



B=30  3,0 x 12mm	I=09  IR IL
--	---

12

