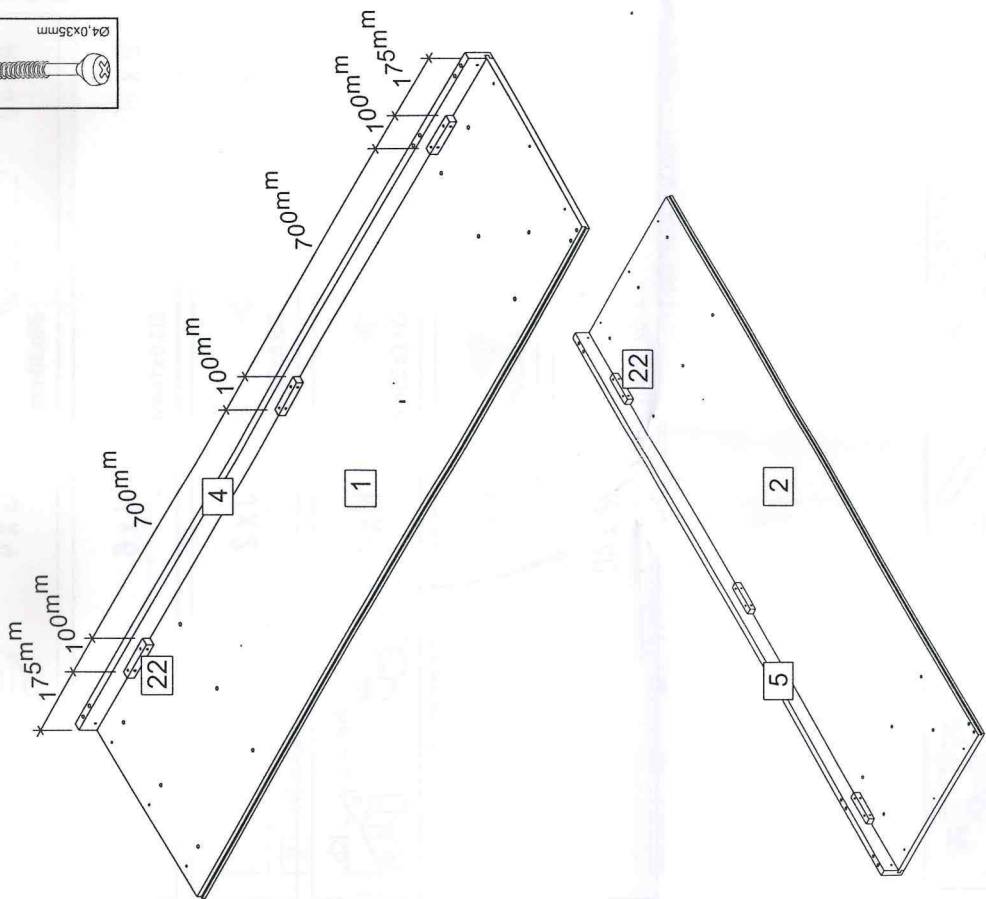
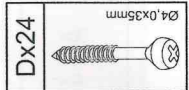


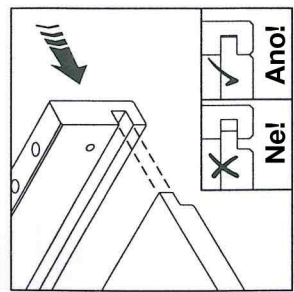
Ref.: 580

162820

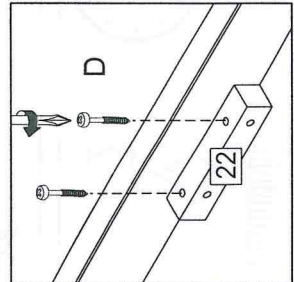
1



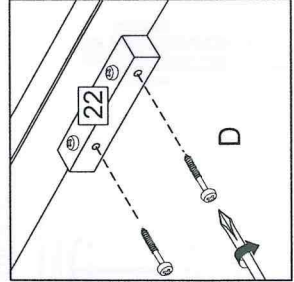
a:



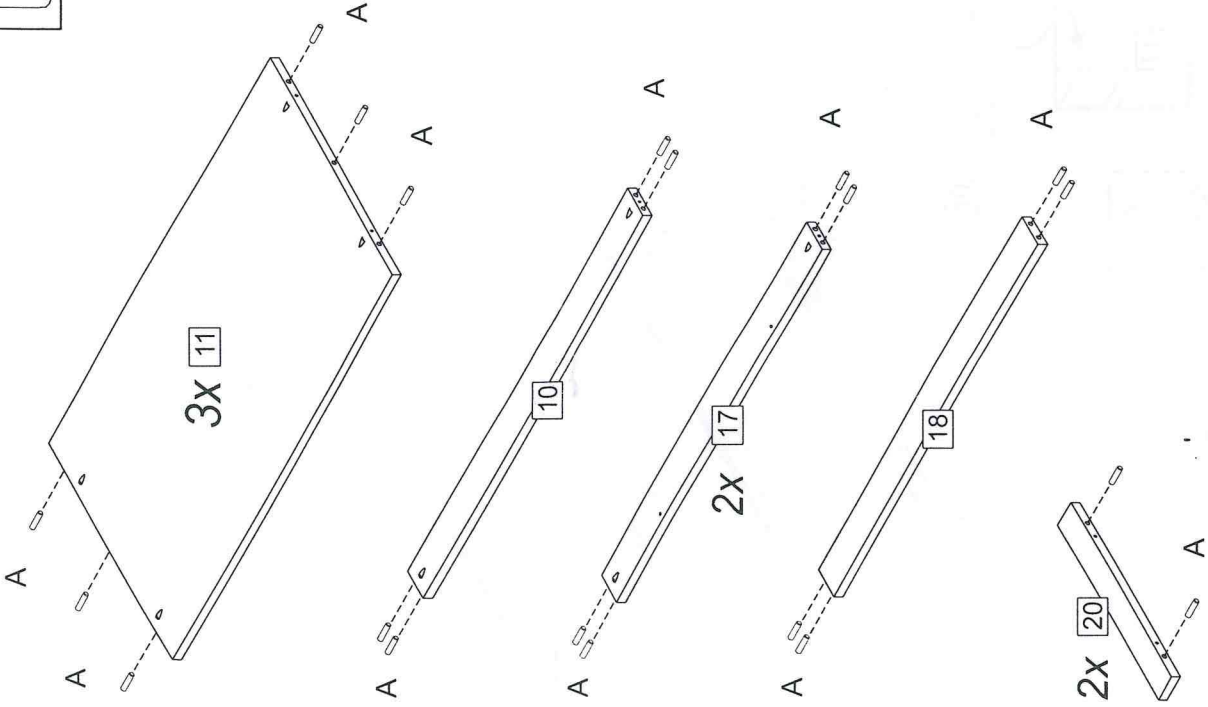
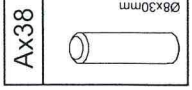
b:



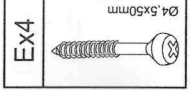
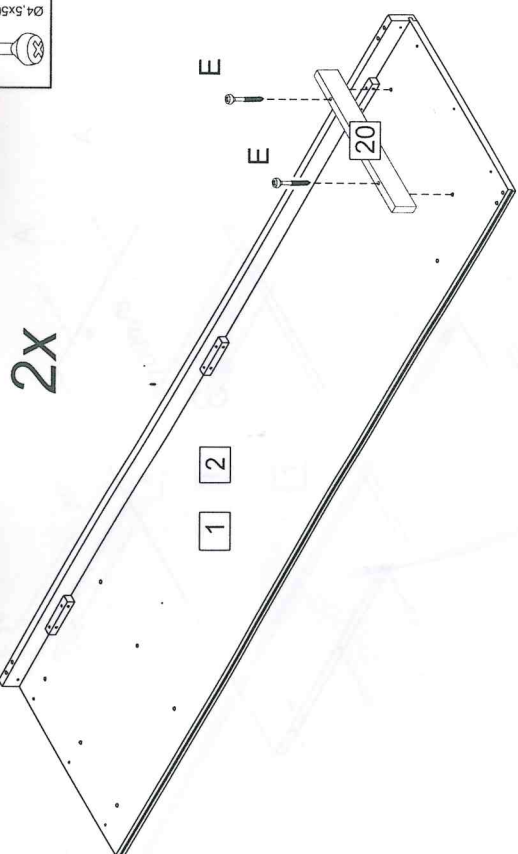
c:



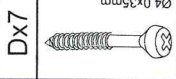
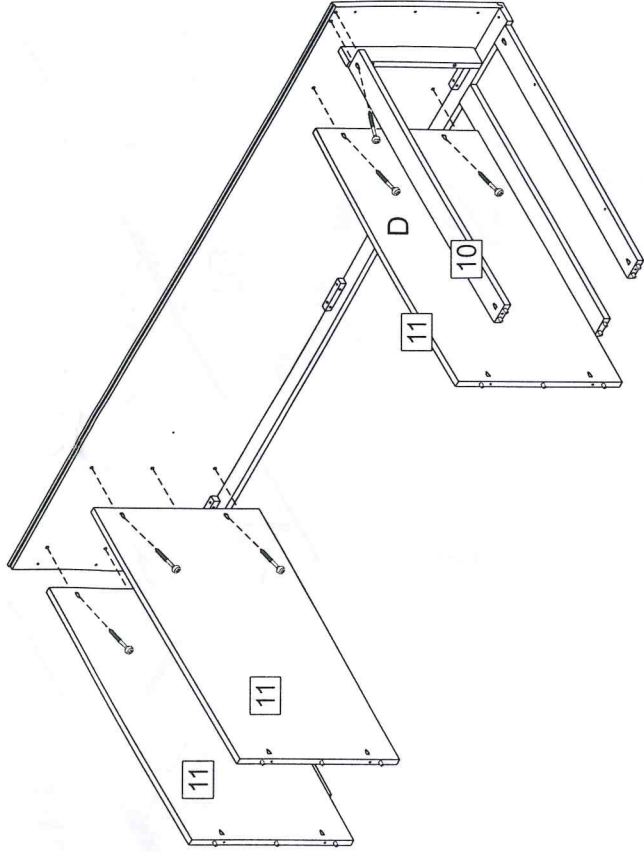
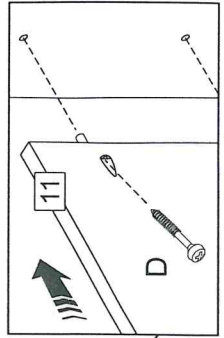
2



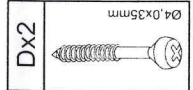
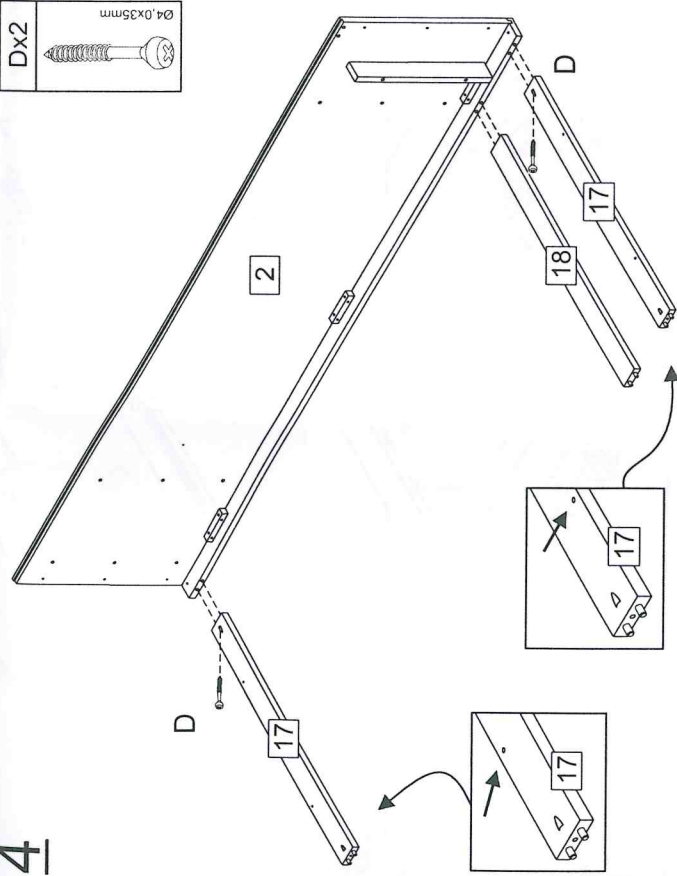
3




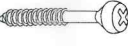
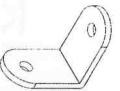
5

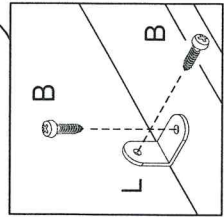
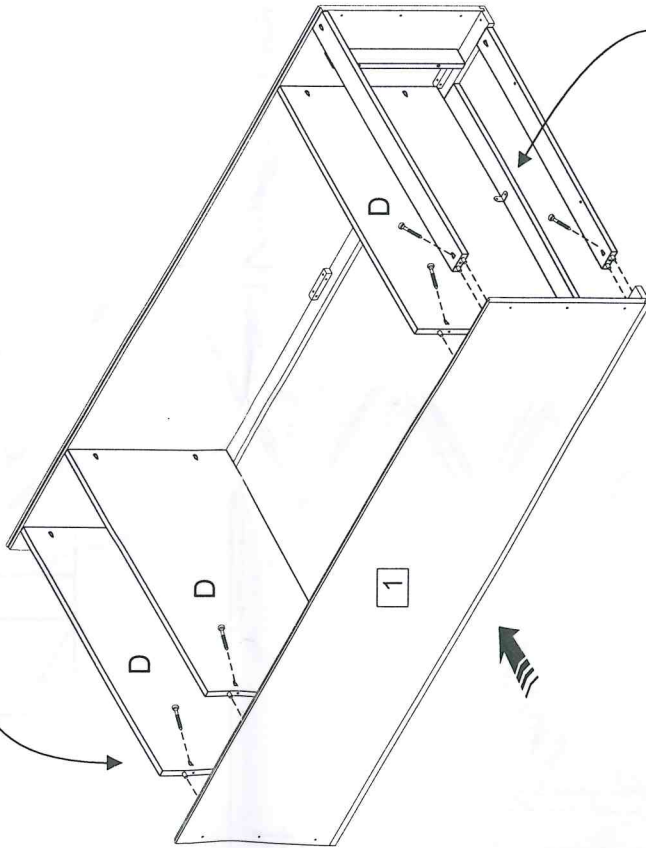
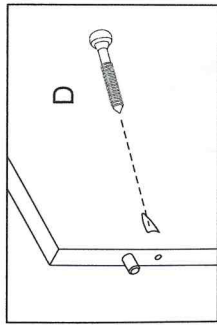


4

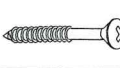


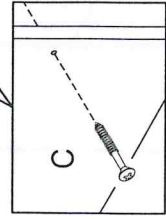
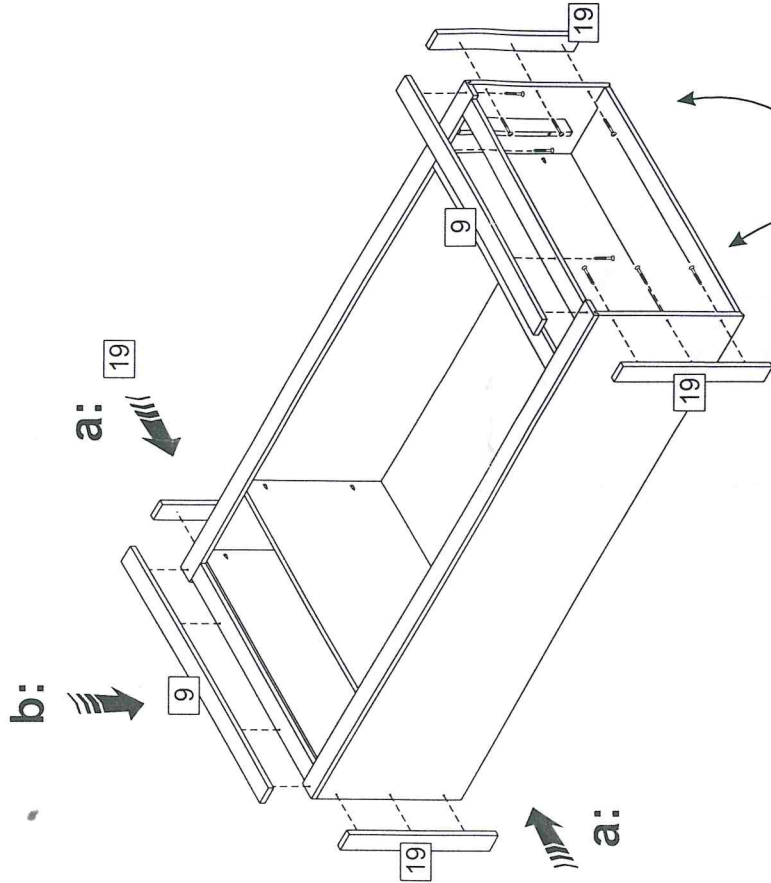
6

Bx2	Dx9	Lx1
		







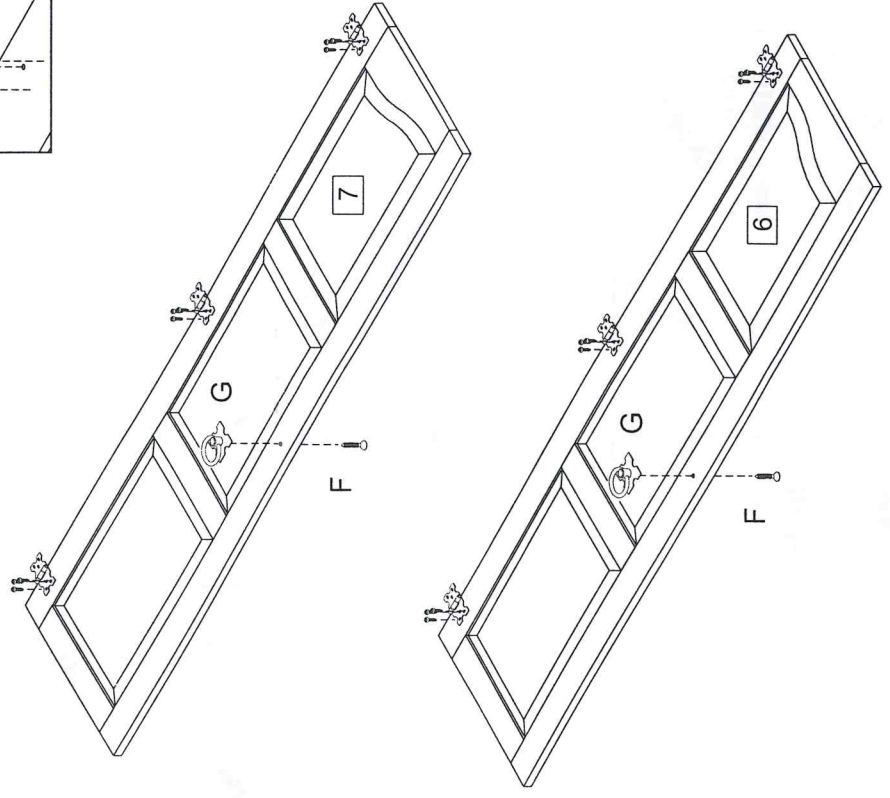
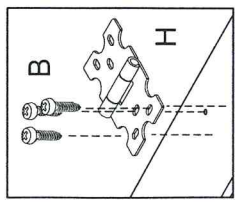
7

Cx20






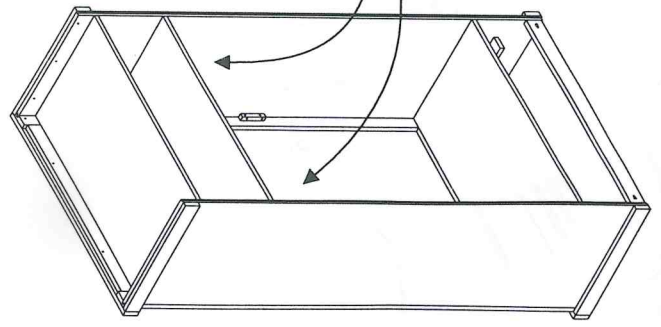
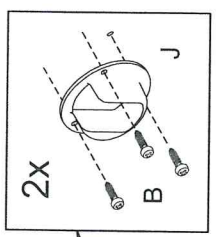
10

Bx18	Fx2	Gx2	Hx6
			

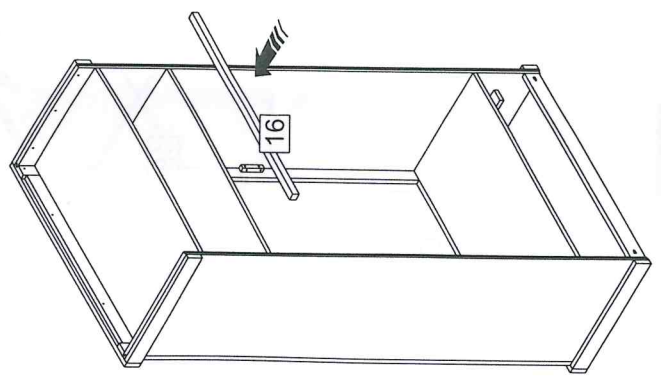
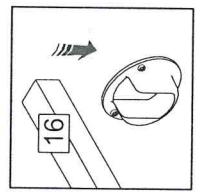


8




Bx6	Jx2
	

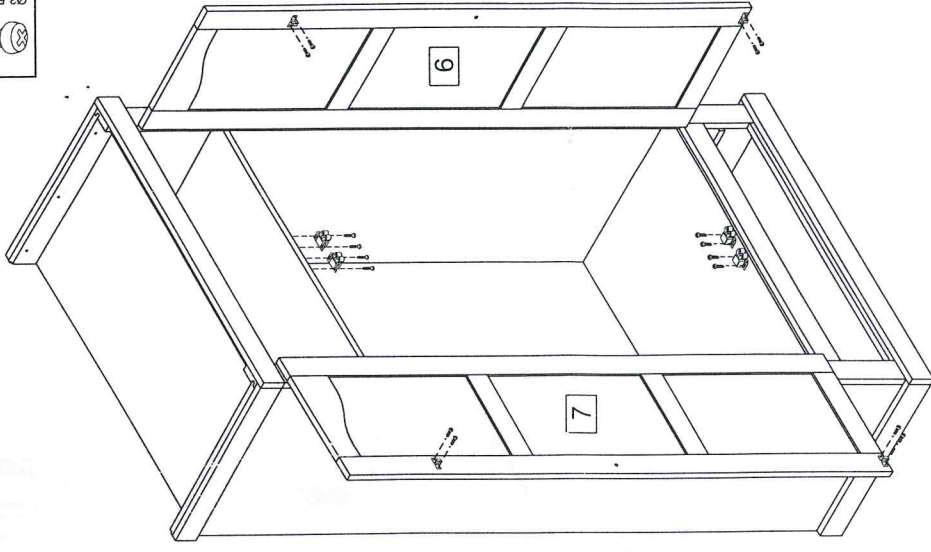


9



12

Bx16	Kax4	Kbx4
		




a: 

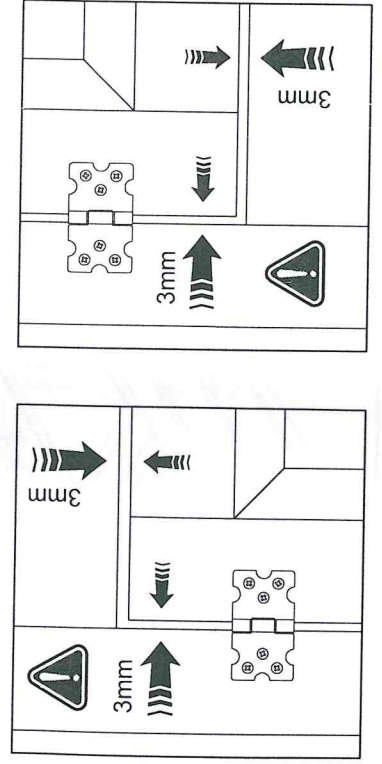
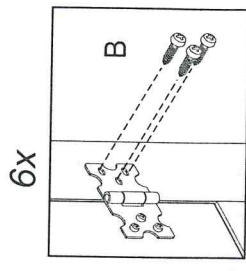
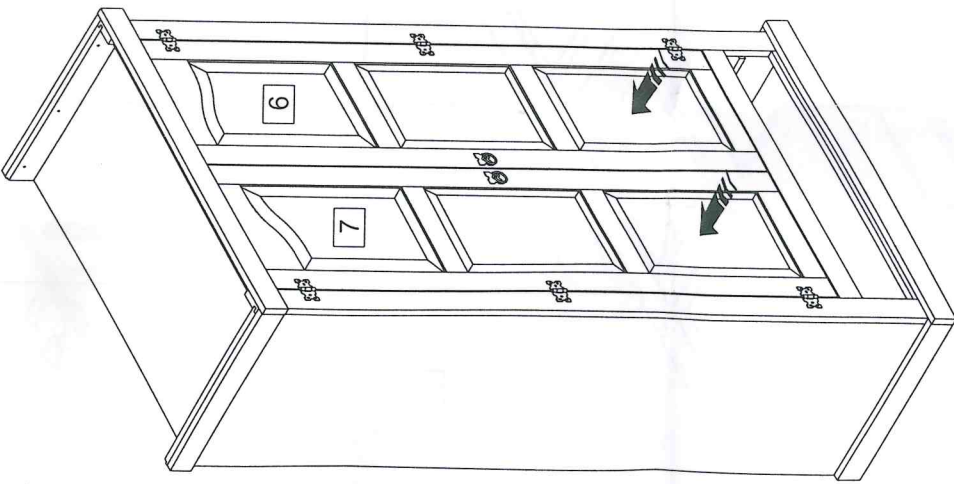
b: 

c: 

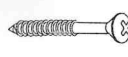


d: 

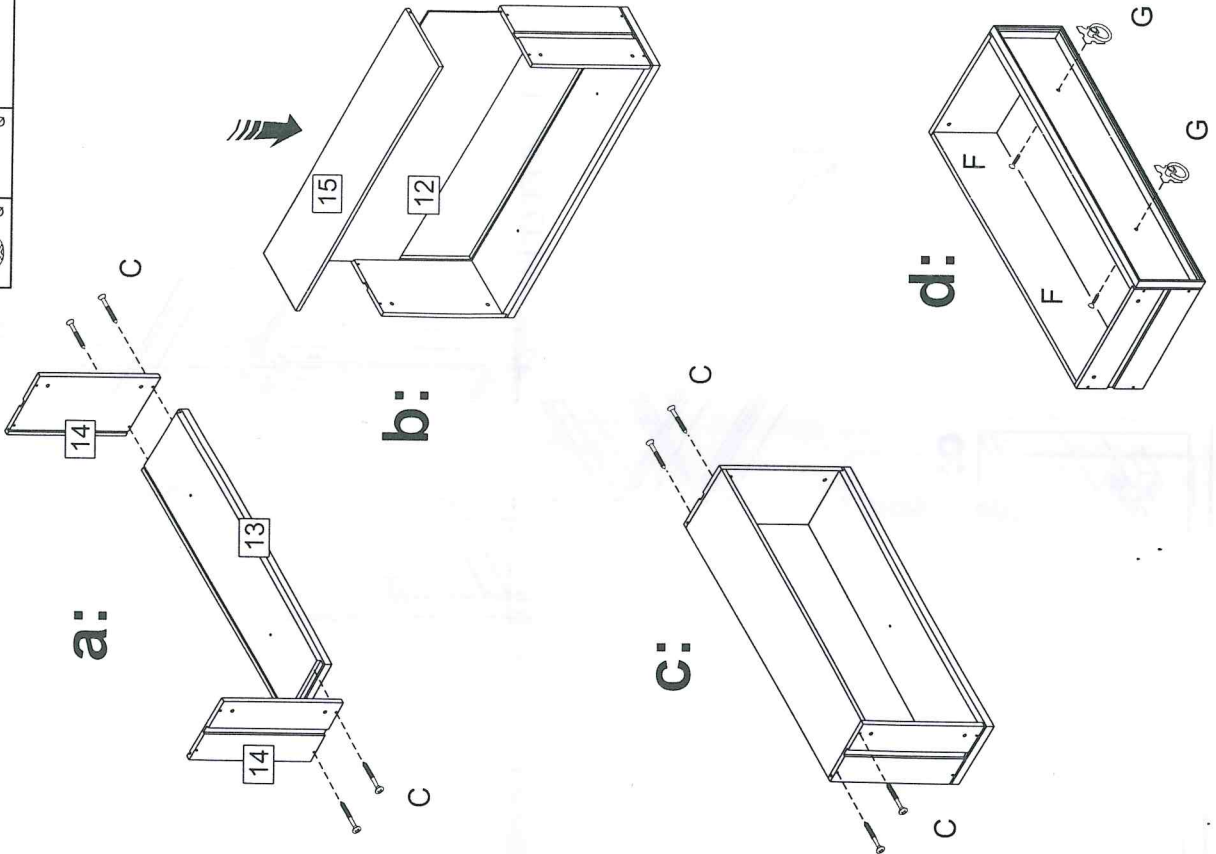
11

Bx18	
------	---

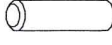


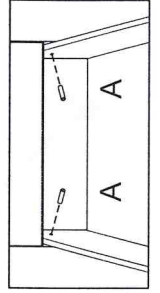
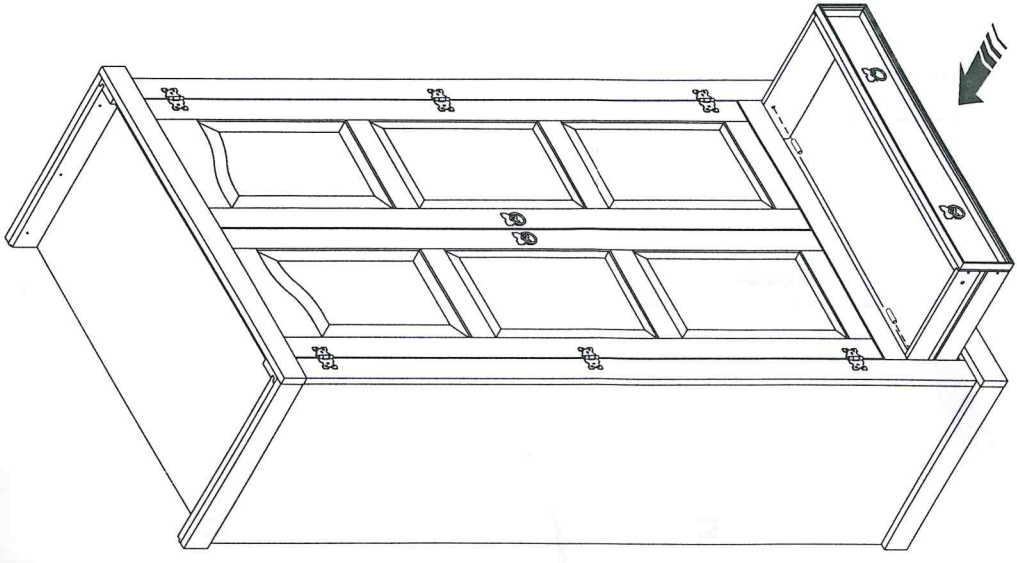
13

Cx8	Fx2	Gx2
		
Ø3,5x30mm	Ø5x19mm	



14

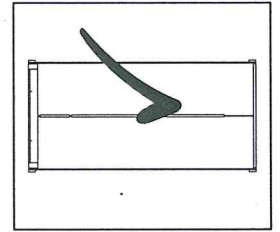
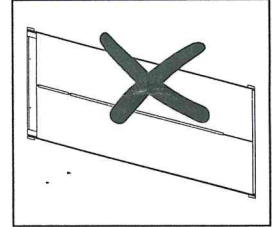
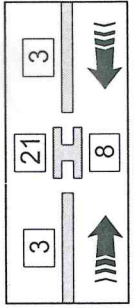
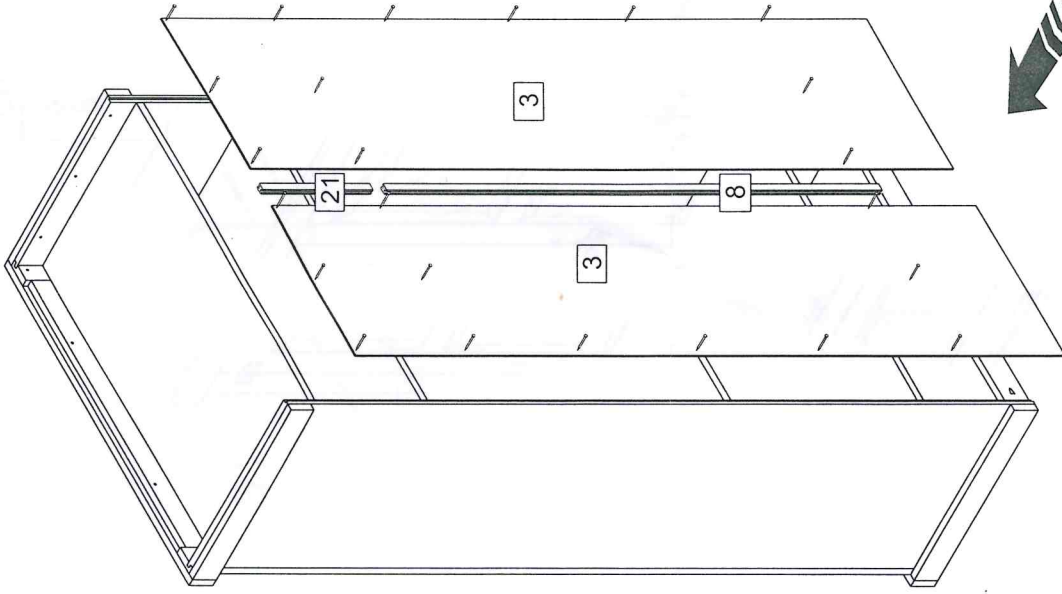
Ax2	Ø8x30mm
	



Mx40



M M M



15