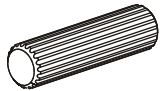
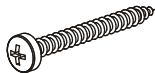
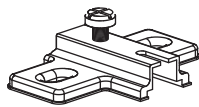
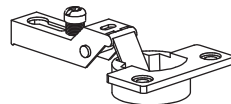
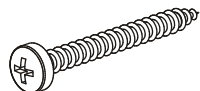
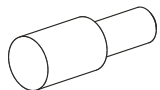
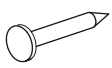
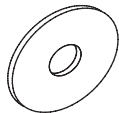
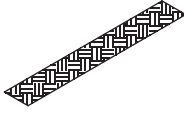
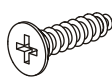

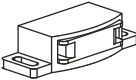
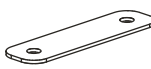

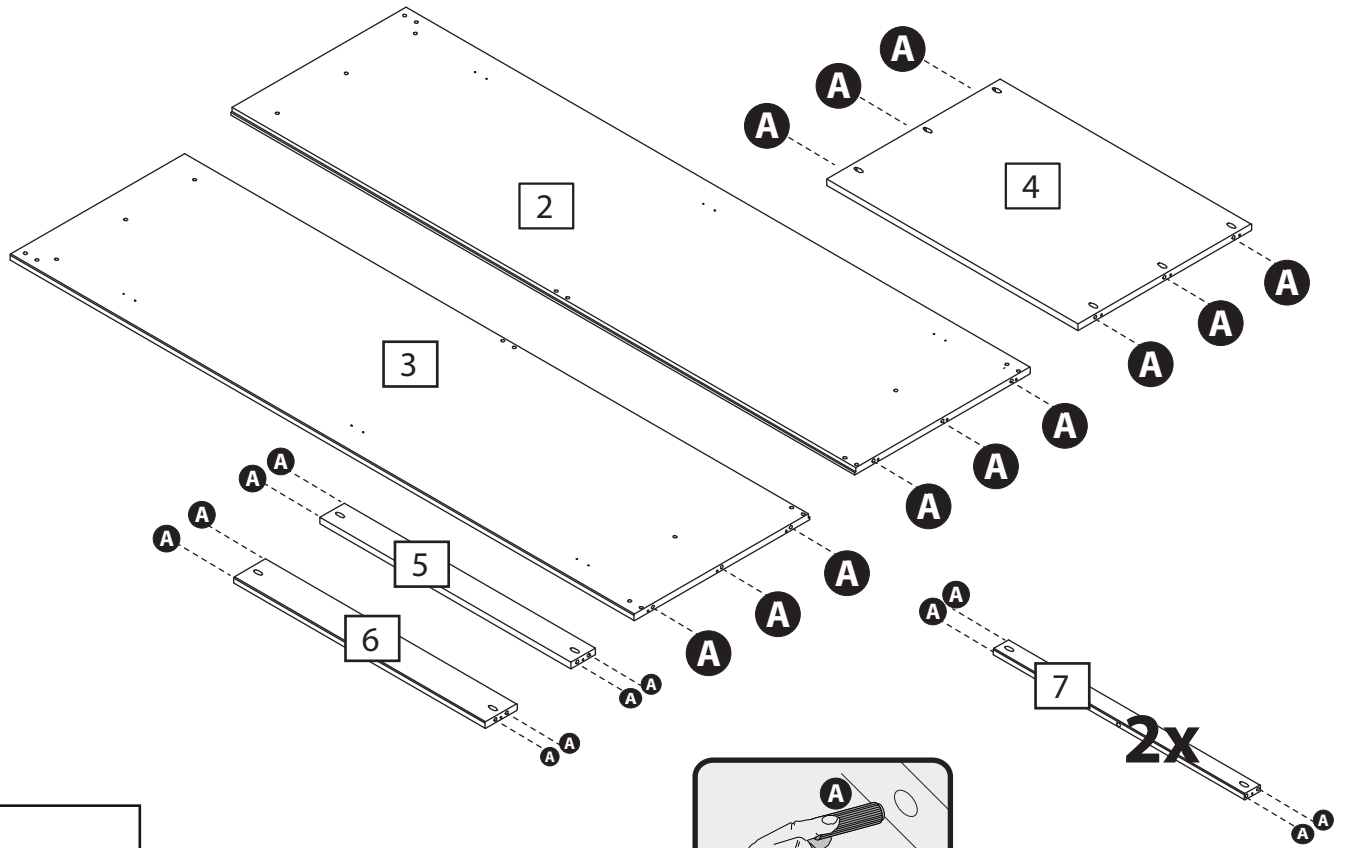
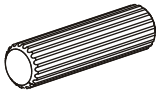


| | | | | |
|--|--|--|---|--|
| A x 28  8,0 x 30mm | B x 44  3,5 x 30mm | C x 06  | D x 06  | E x 10  4,0 x 40mm |
| F x 16  | G x 26  | H x 02  | I x 01  | J x 25  4,0 x 16mm |
| L x 02  | M x 02  | N x 02  | O x 08  3,0 x 16mm | |

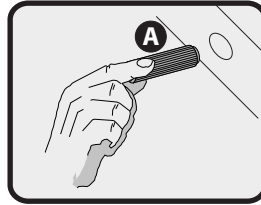
1



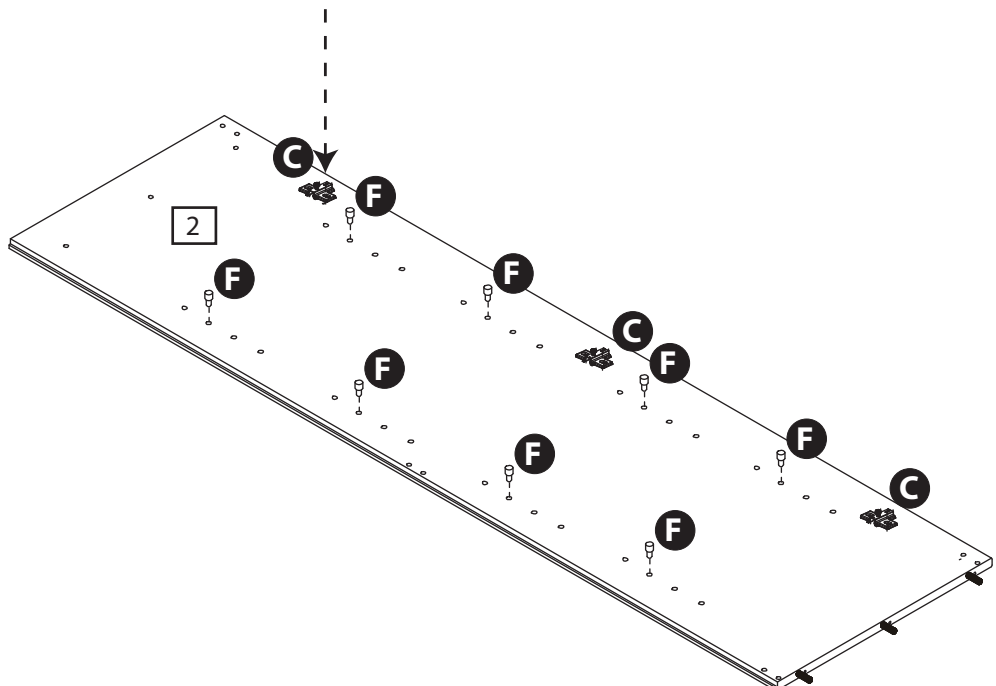
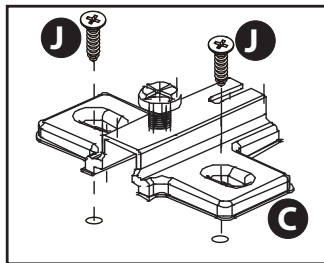
A x 28



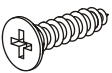
8,0 x 30mm



2

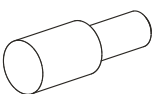


J x 06

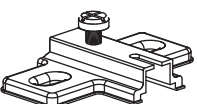


4,0 x 16mm

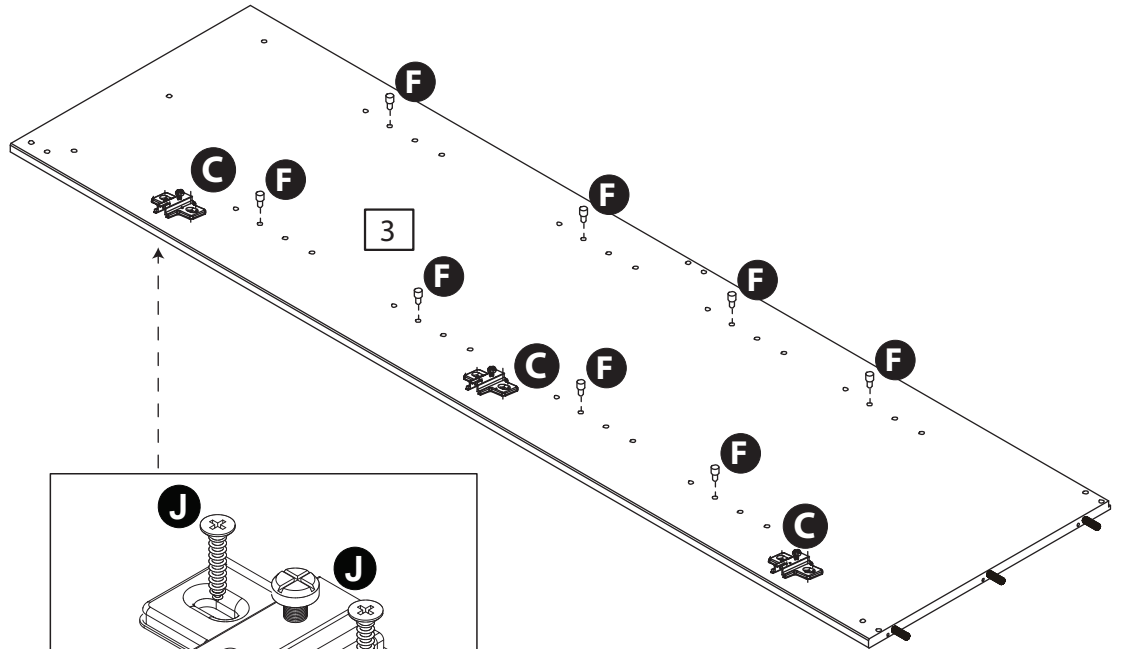
F x 08



C x 03



3

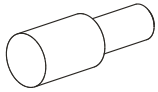


J x 06

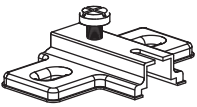


4,0 x 16mm

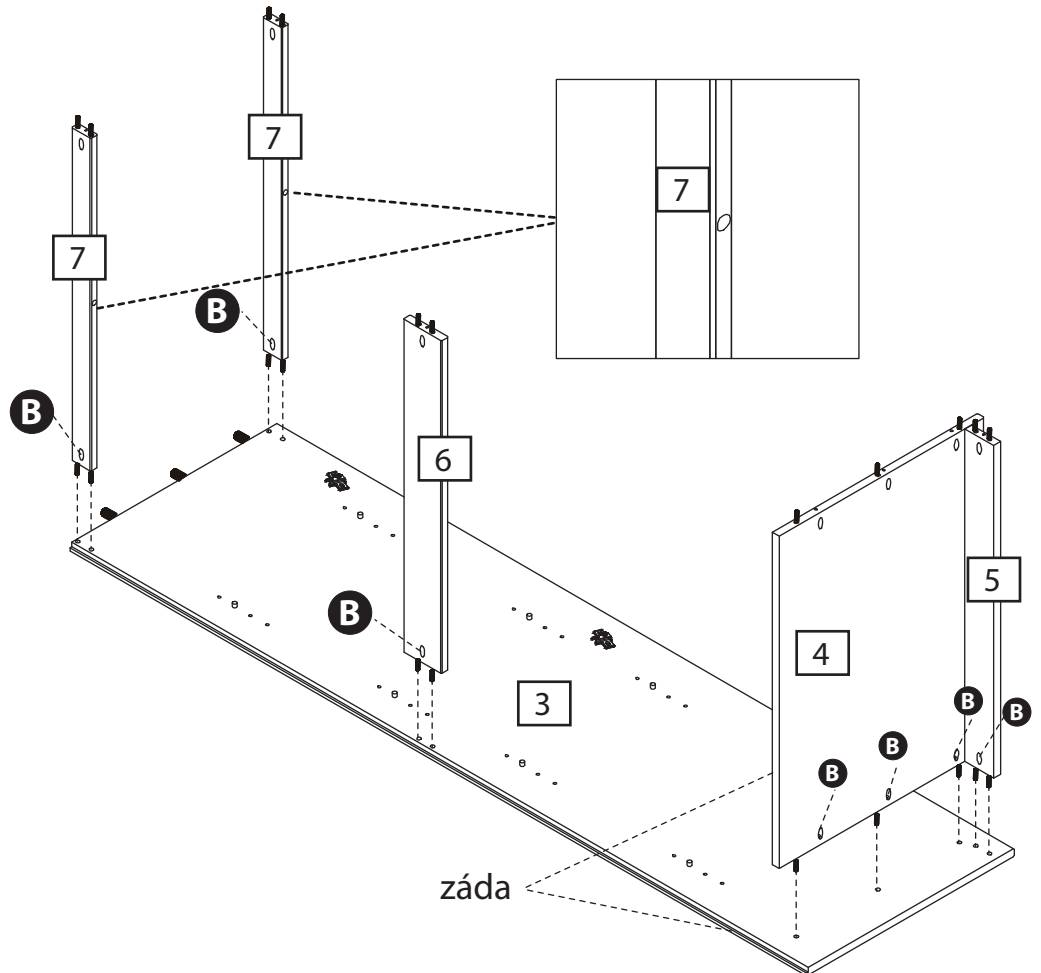
F x 08



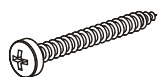
C x 03



4

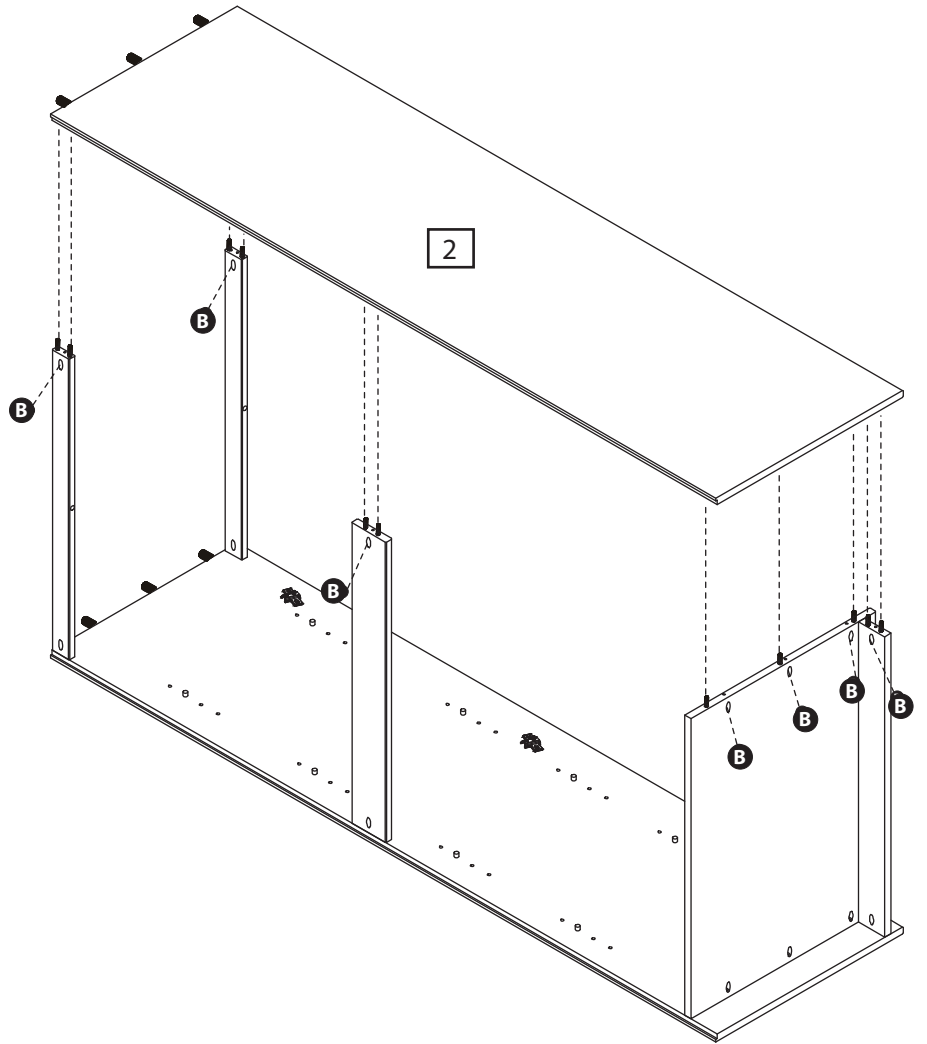


B x 07

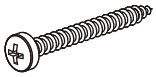


3,5 x 30mm

5

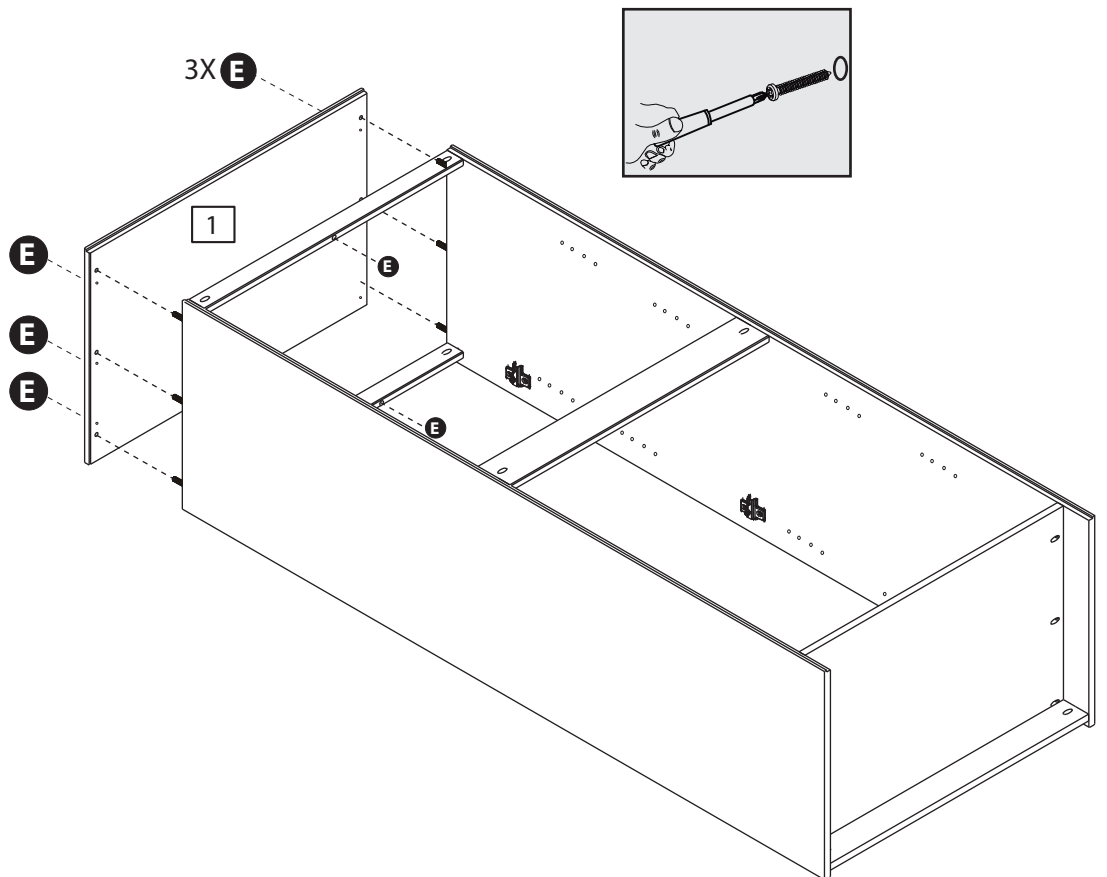


B x 07



3,5 x 30mm

6



3X **E**

E

E

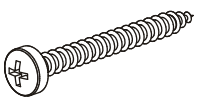
E

1

E

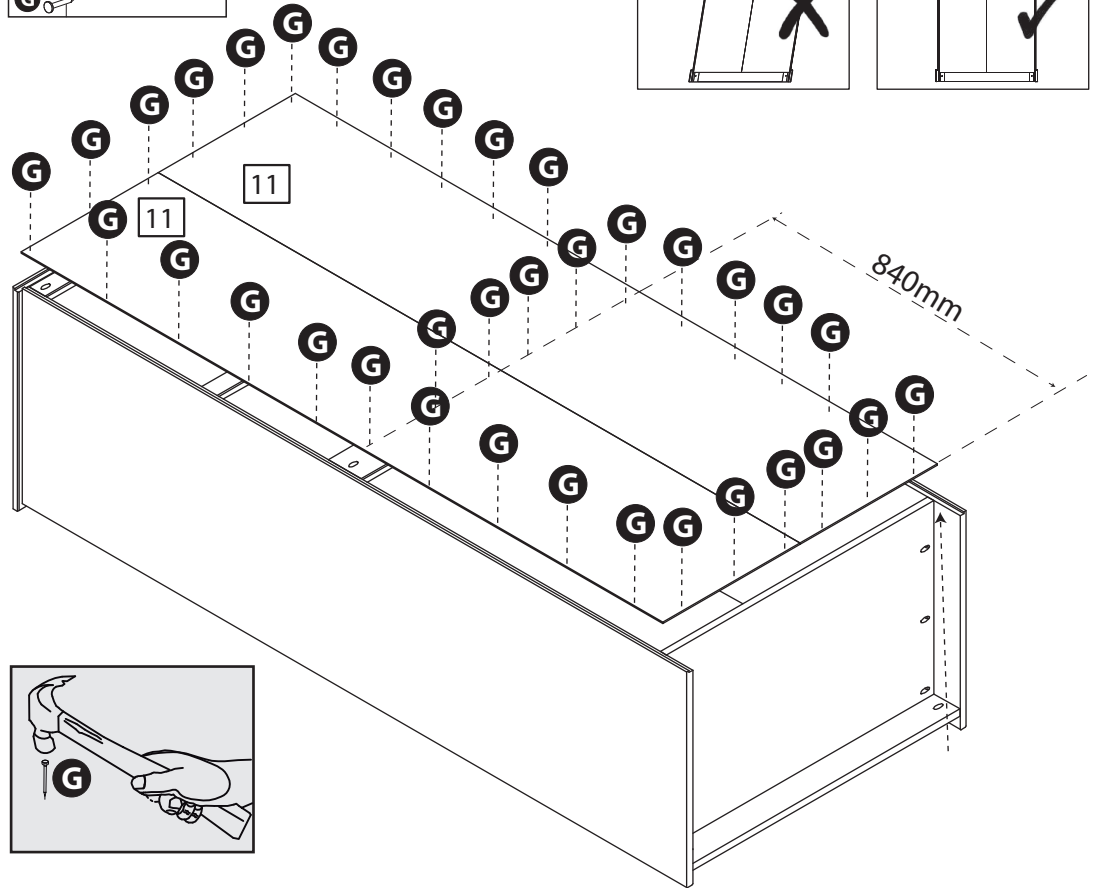
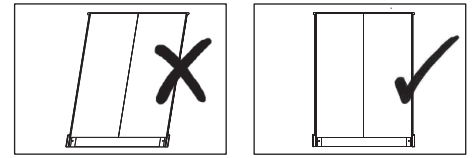
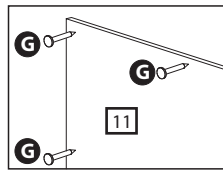
E

E x 08

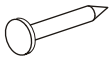


4,0 x 40mm

7



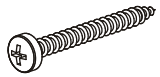
G x 26



8

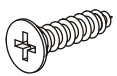
2x

B x 30



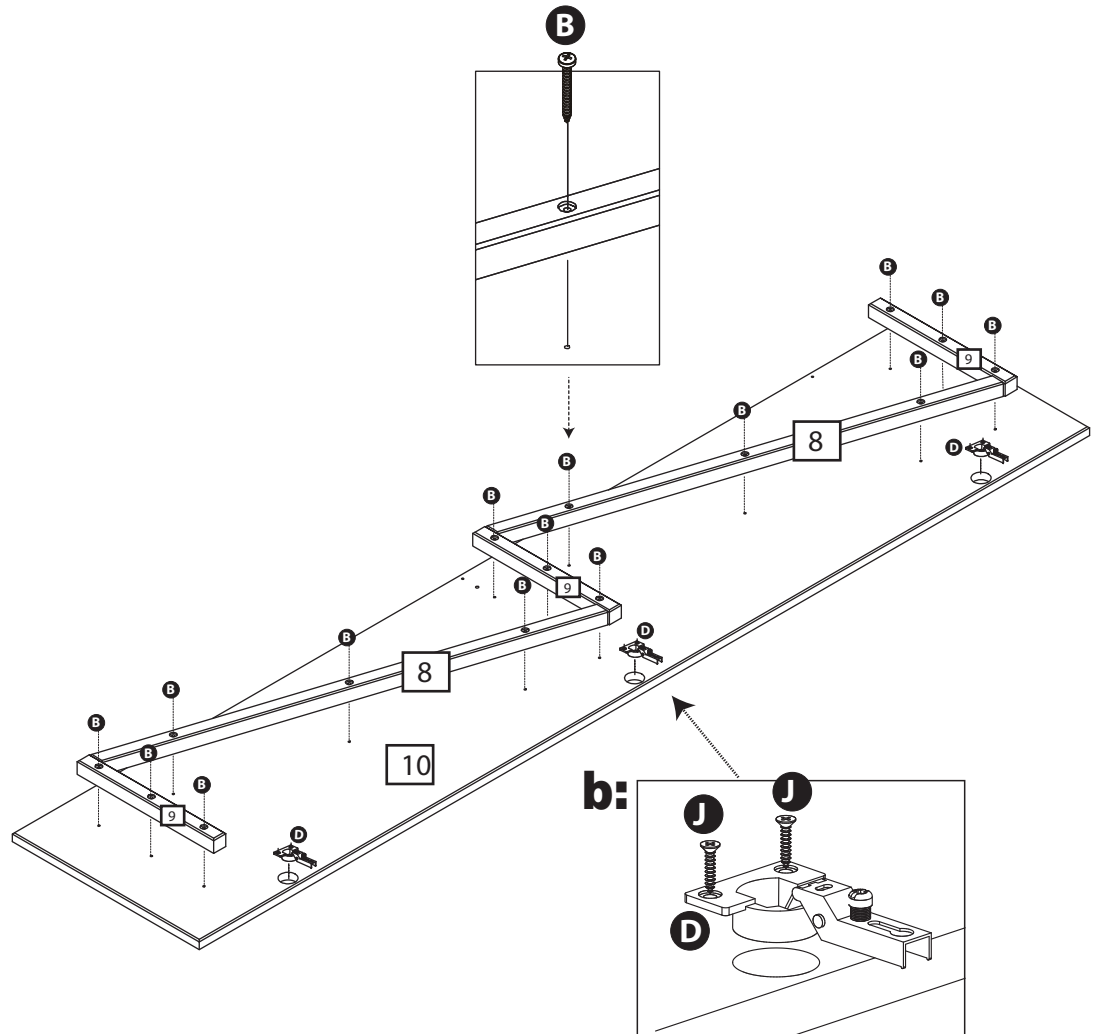
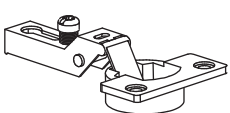
3,5 x 30mm

J x 12

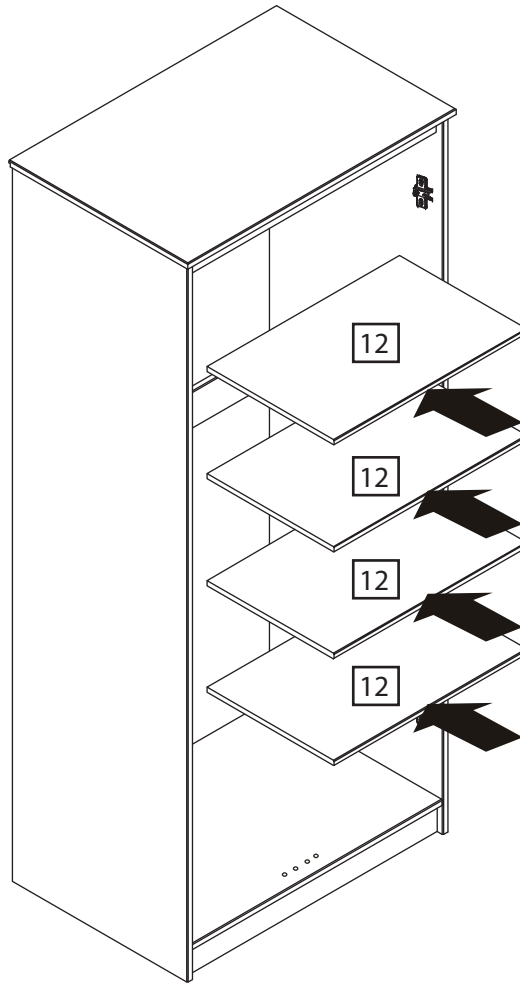
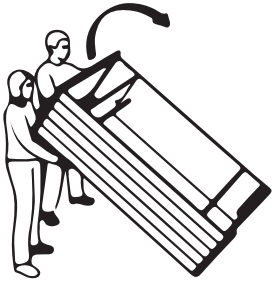


4,0 x 16mm

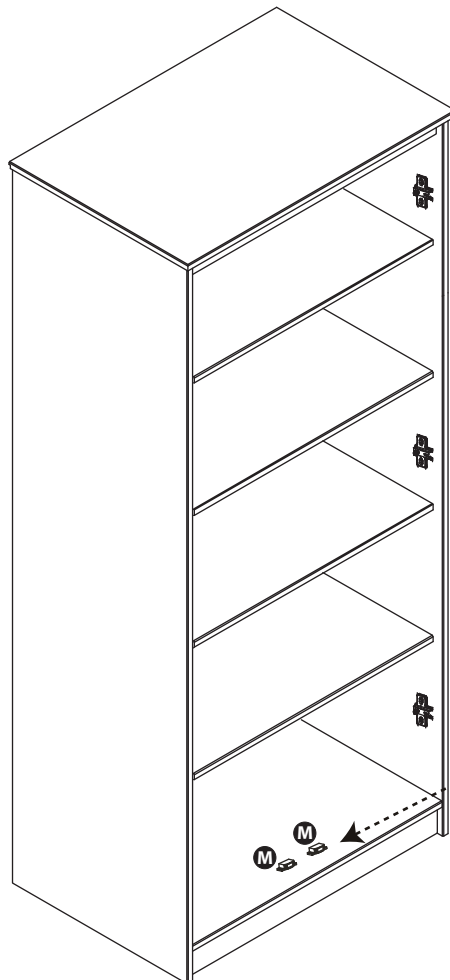
D x 06



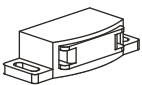
9



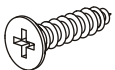
10



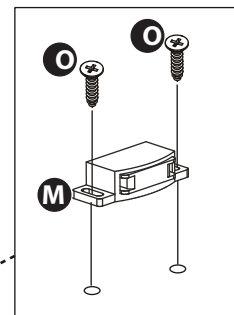
M x 02

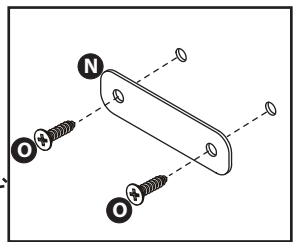
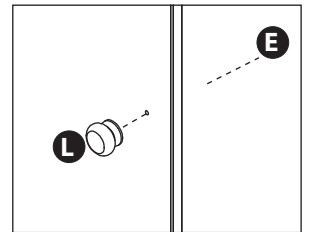
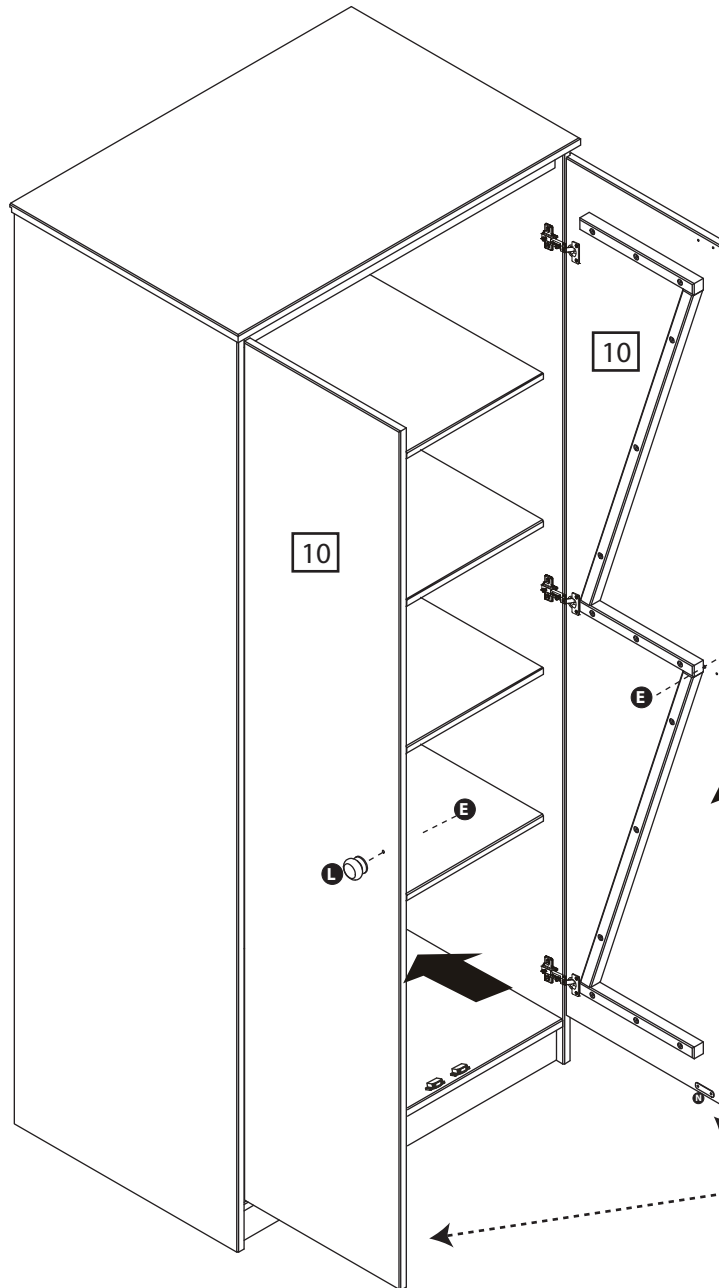
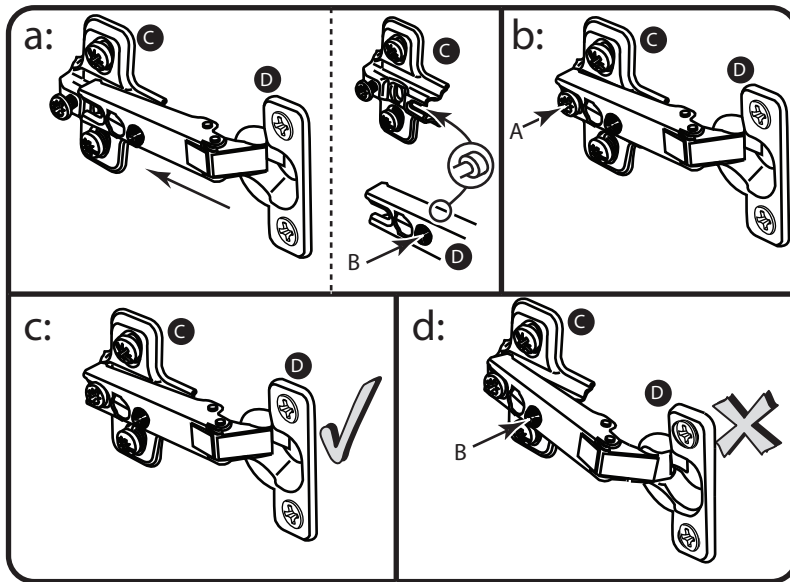


O x 04

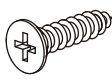


3,0 x 16mm




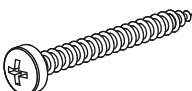


- O** x 04

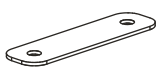


3,0 x 16mm
- L** x 02

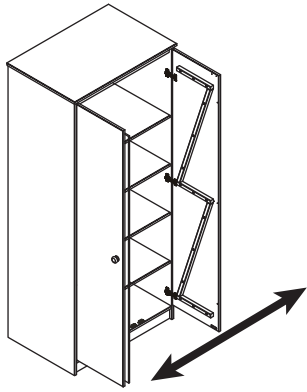

- E** x 02



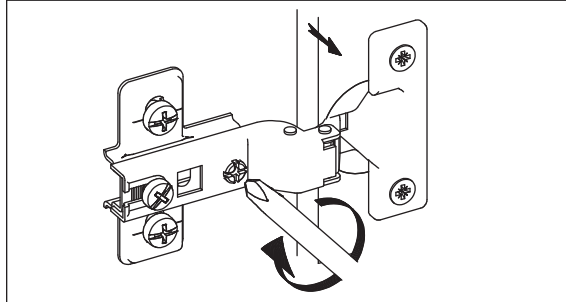
4,0 x 40mm
- N** x 02



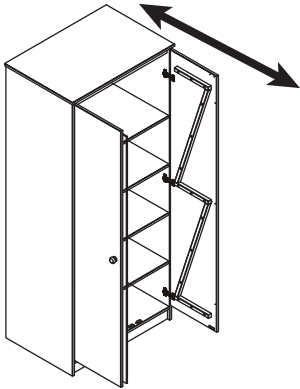
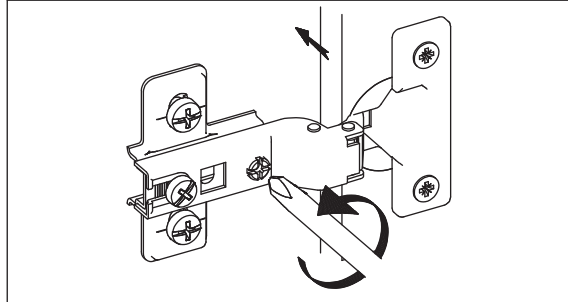
12



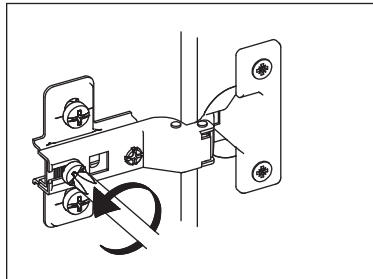
a:



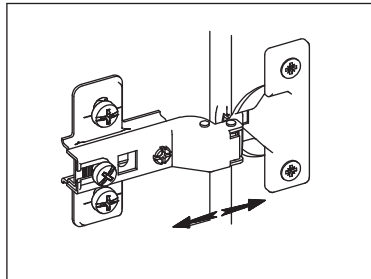
b:



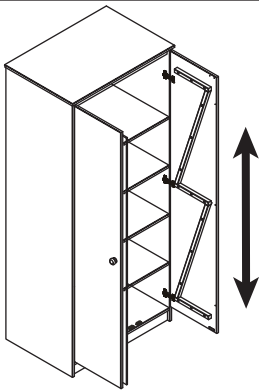
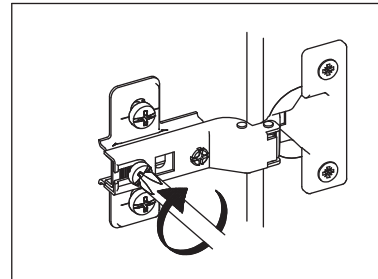
a:



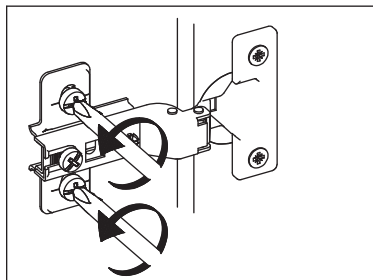
b:



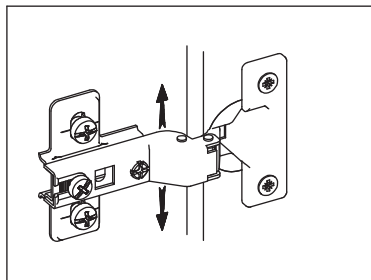
c:



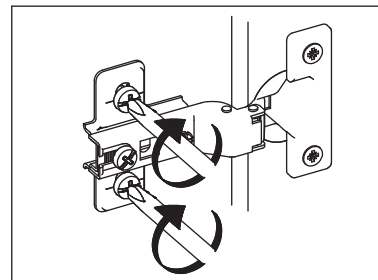
a:



b:



c:



13

