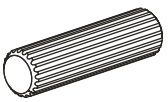
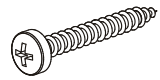
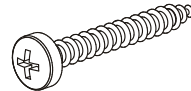
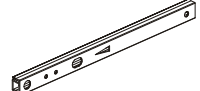

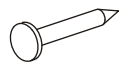


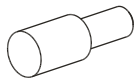
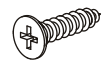
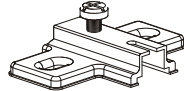
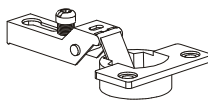

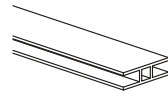
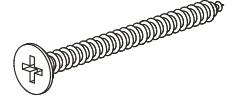
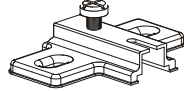
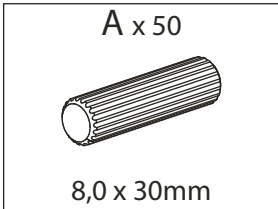
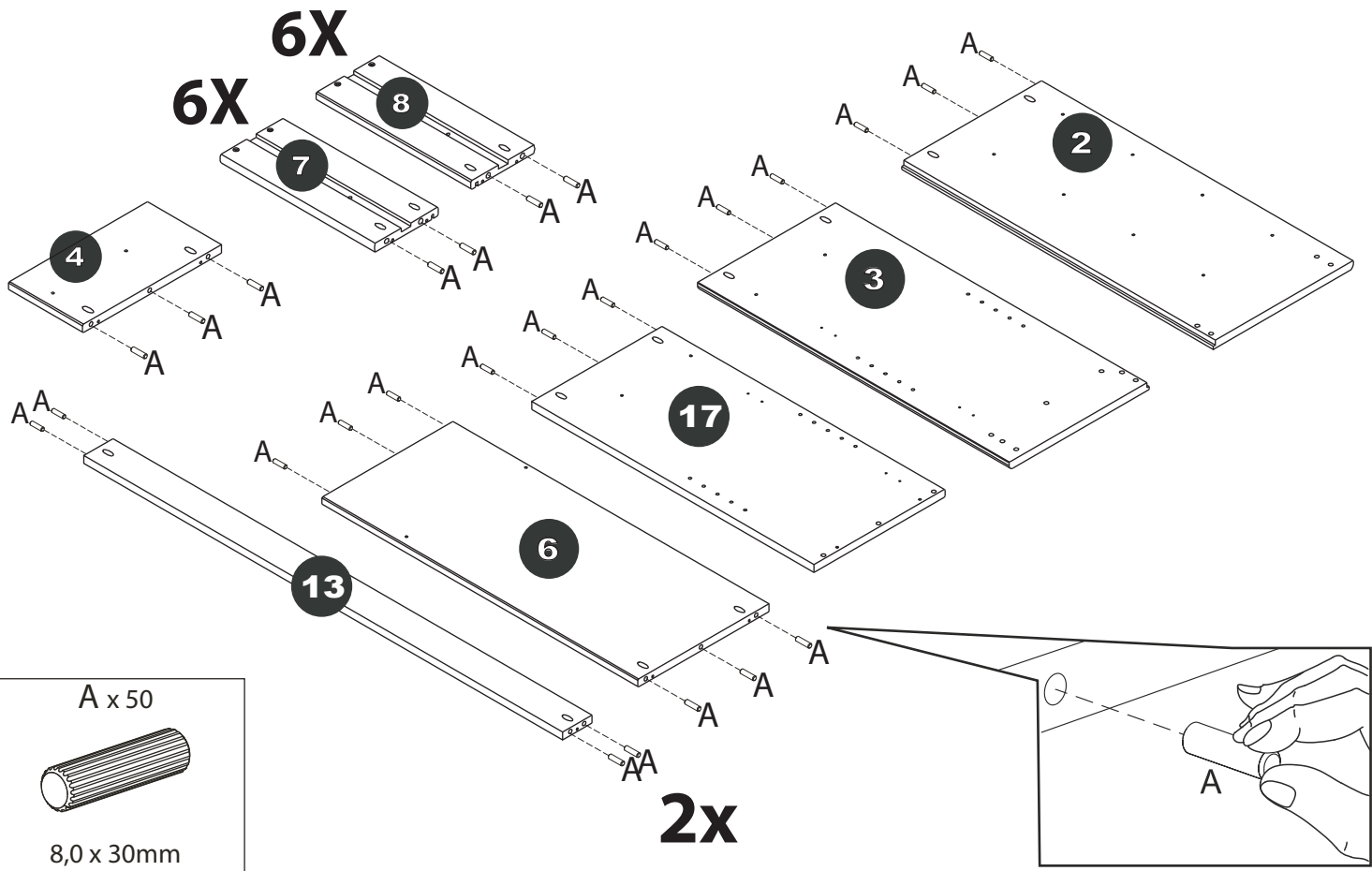


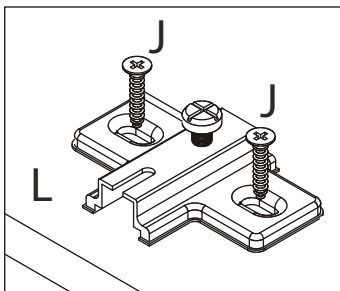
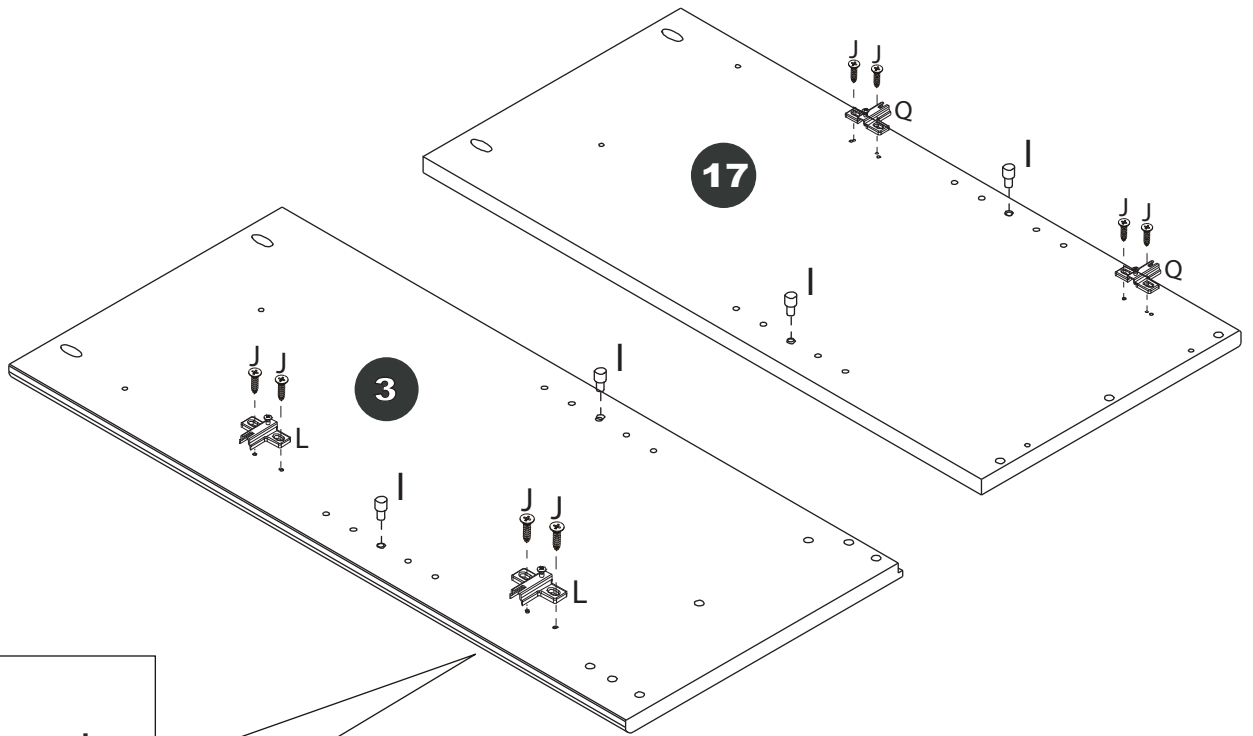
6X

<p>A x 50</p>  <p>8,0 x 30mm</p>	<p>B x 74</p>  <p>3,5 x 30mm</p>	<p>C x 08</p>  <p>4,0 x 40mm</p>	<p>D x 12</p> 	<p>E x 08</p> 
<p>F x 26</p> 	<p>G x 14</p>  <p>6,0 x 10mm</p>	<p>H x 12</p>  <p>M4 x 10mm</p>	<p>I x 04</p> 	<p>J x 16</p>  <p>4,0 X 16 mm</p>
<p>L x 02</p>  <p>12 mm</p>	<p>M x 04</p> 	<p>N x 10</p>  <p>6,0 x 20mm</p>	<p>O x 01</p> 	<p>P x 04</p>  <p>4,0 x 40mm</p>
<p>Q x 02</p>  <p>5,0 mm</p>				

1

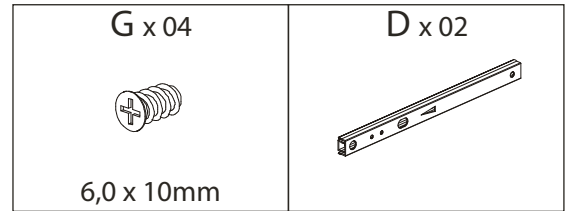
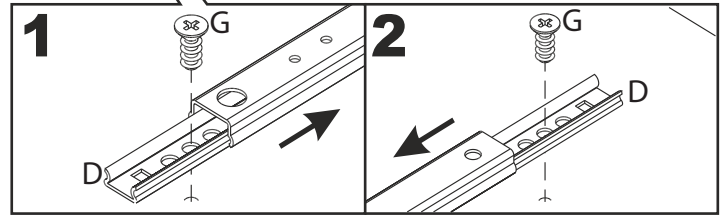
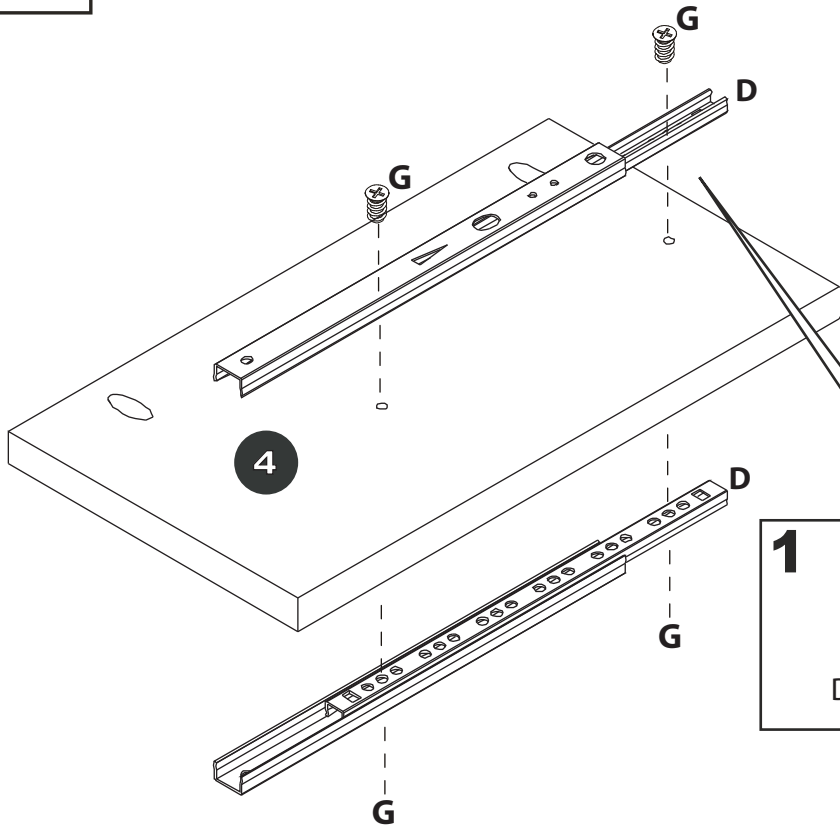


2

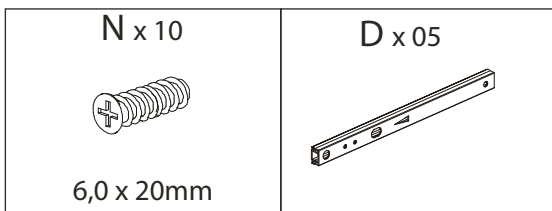
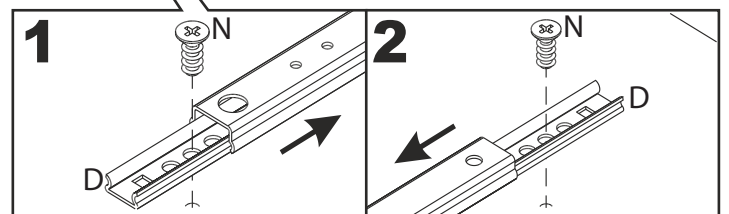
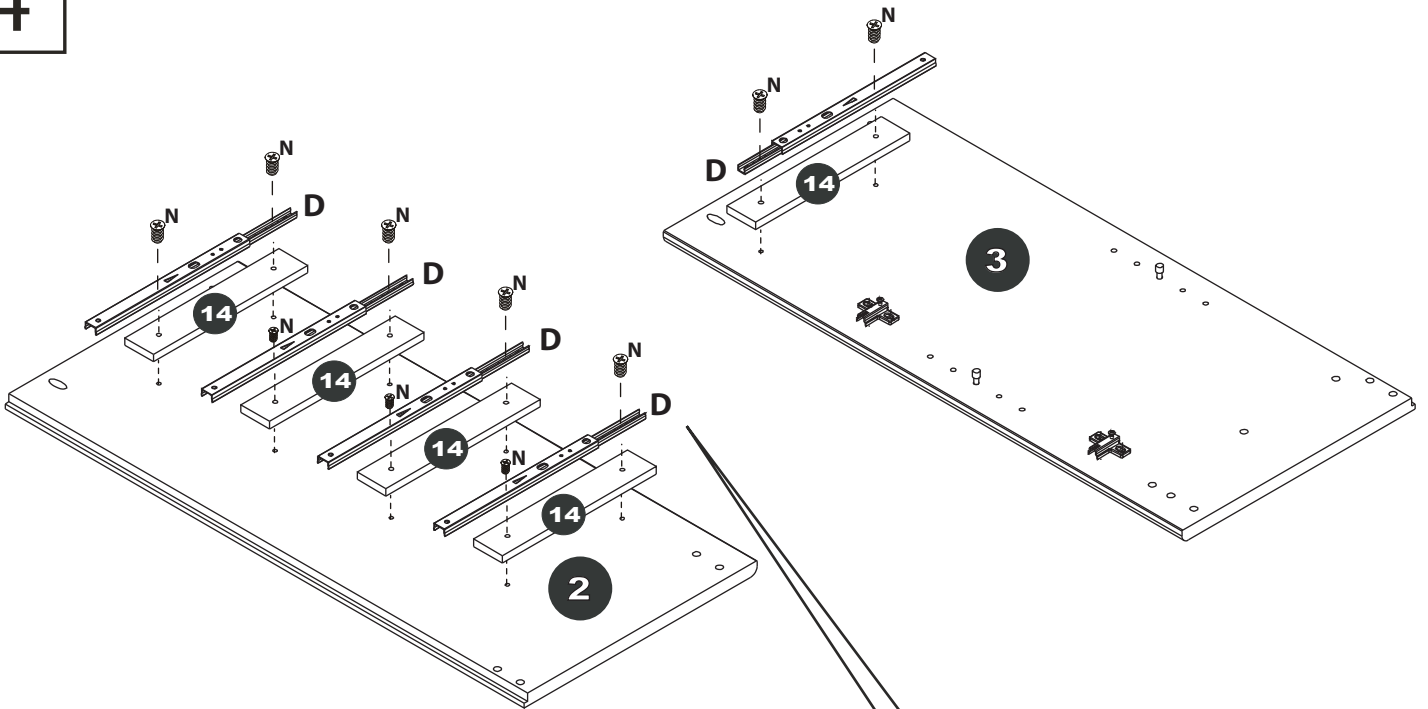


Q x 02	L x 02	I x 04	J x 08
5,0 mm	12 mm		4,0 X 16 mm

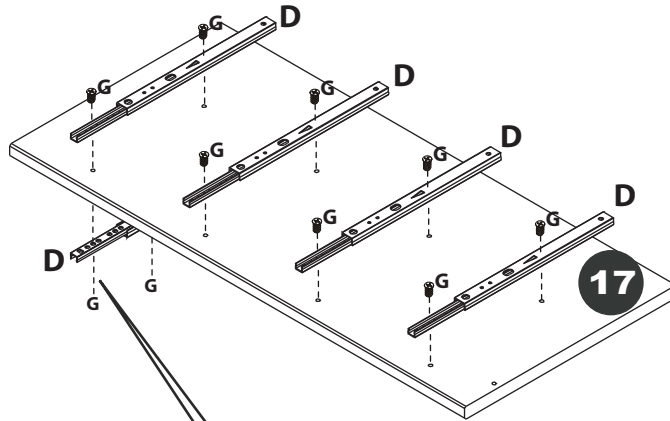
3



4



5

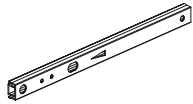


G x 10

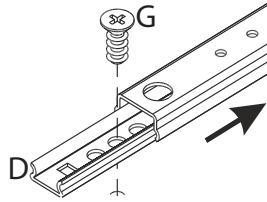


6,0 x 10mm

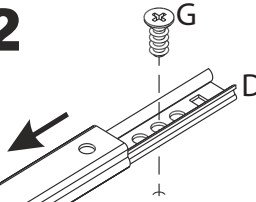
D x 05



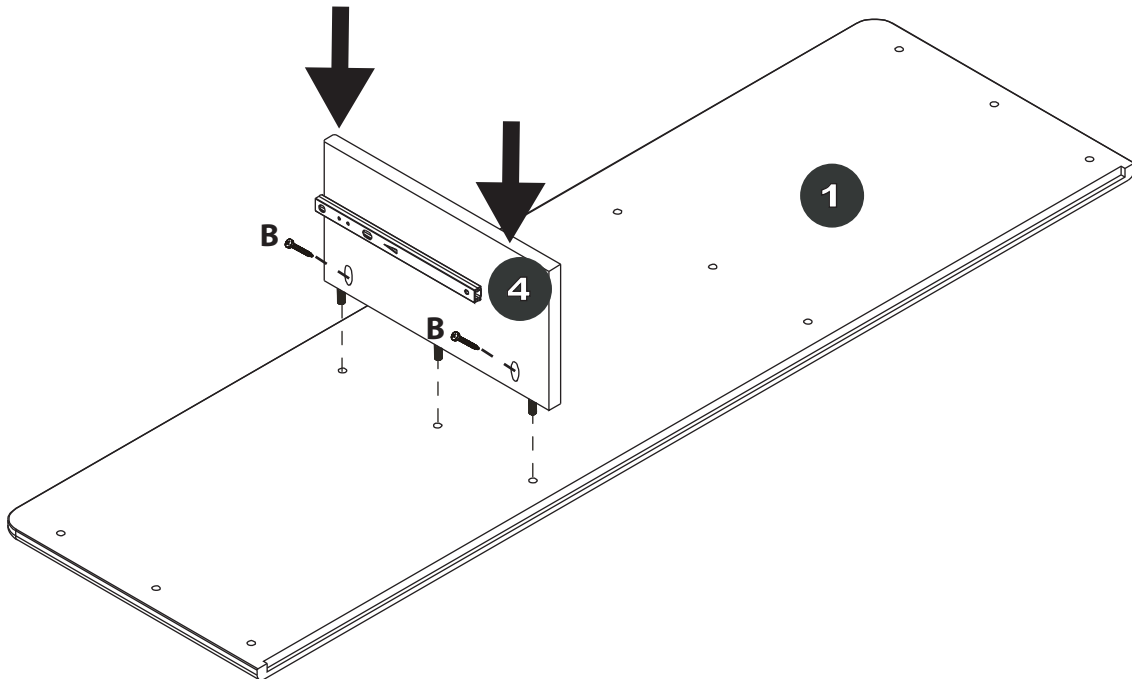
1



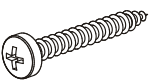
2



6

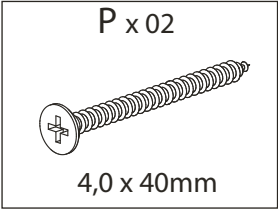
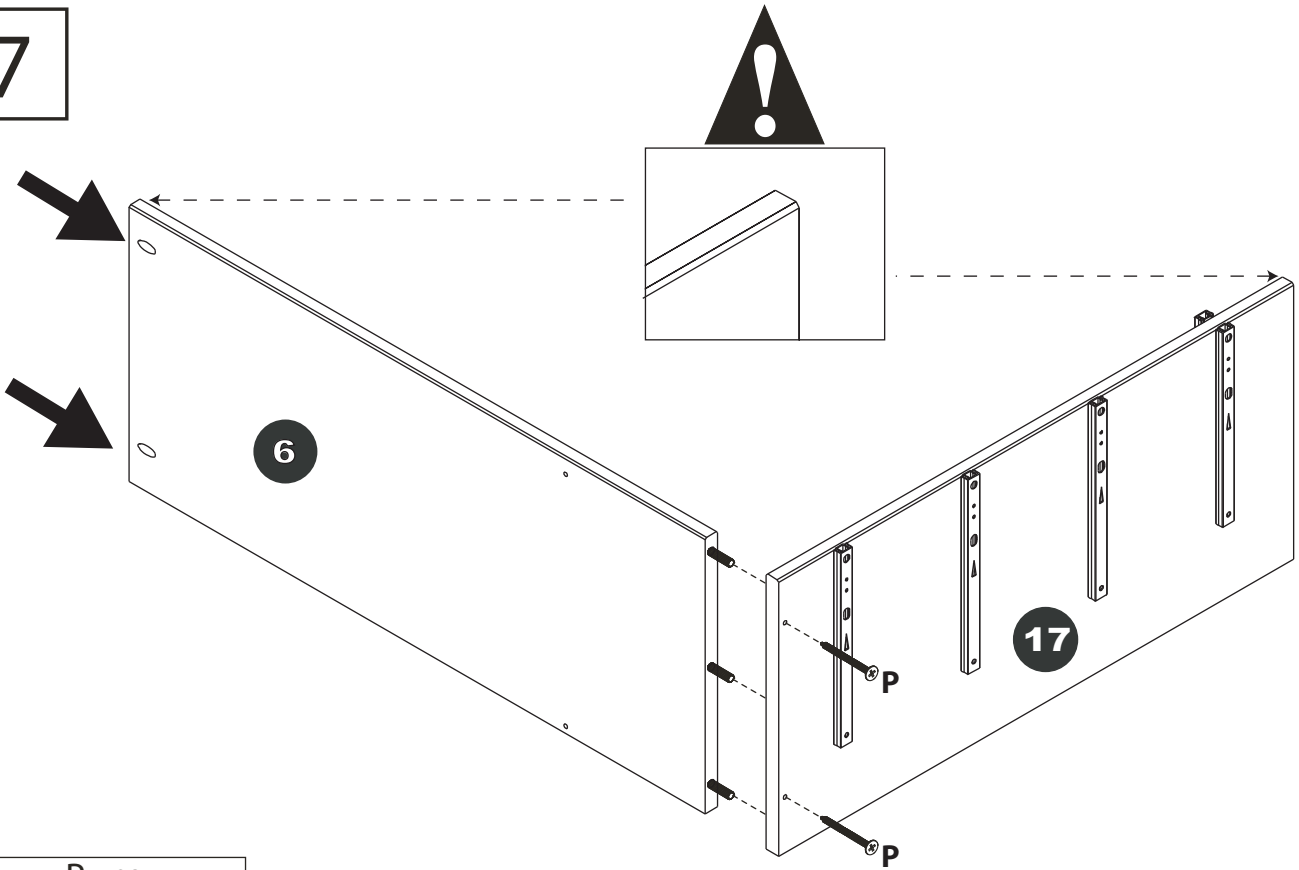


B x 02

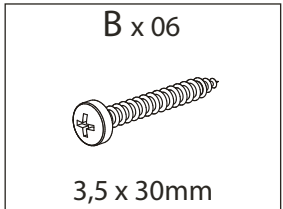
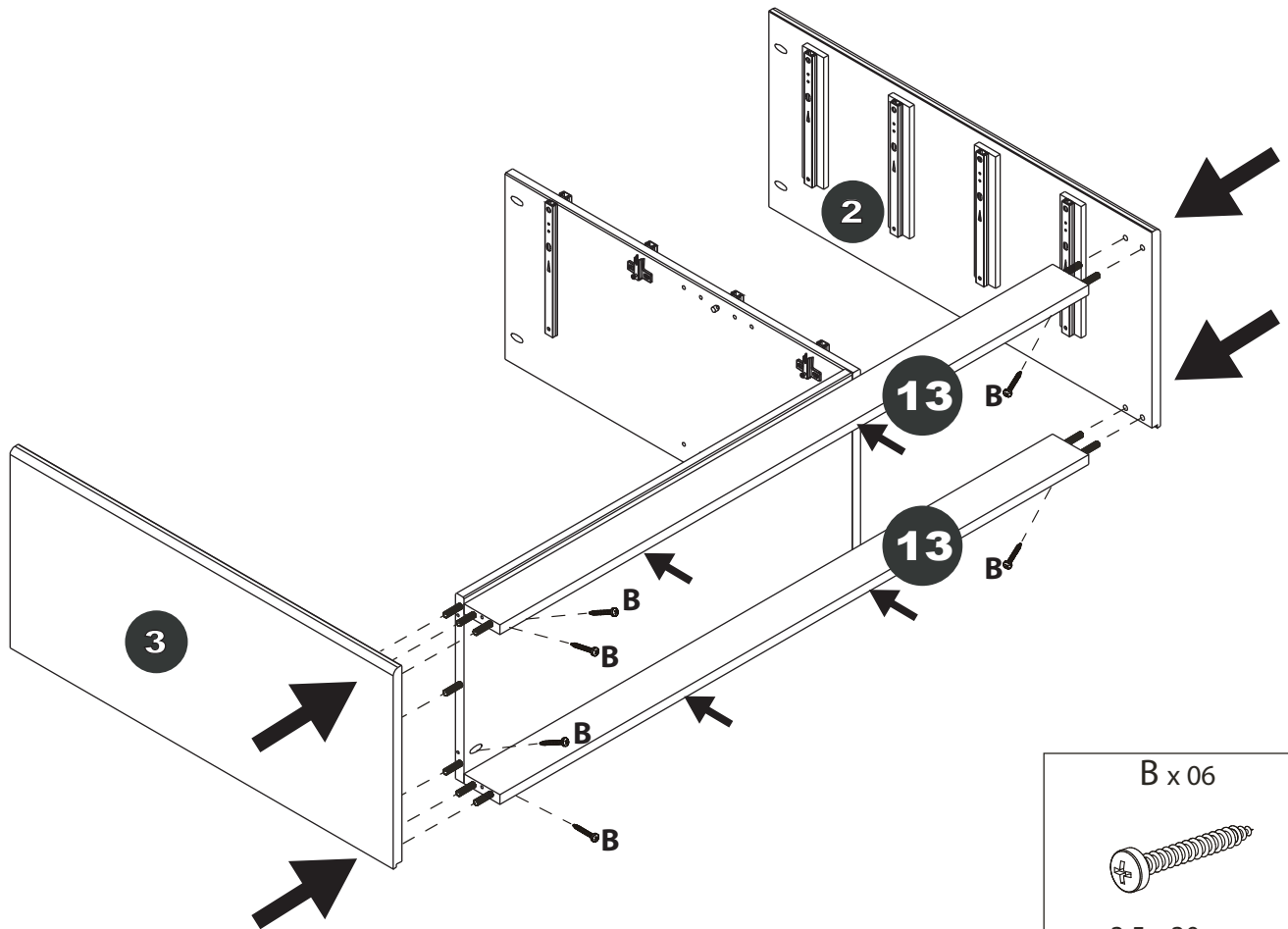


3,5 x 30mm

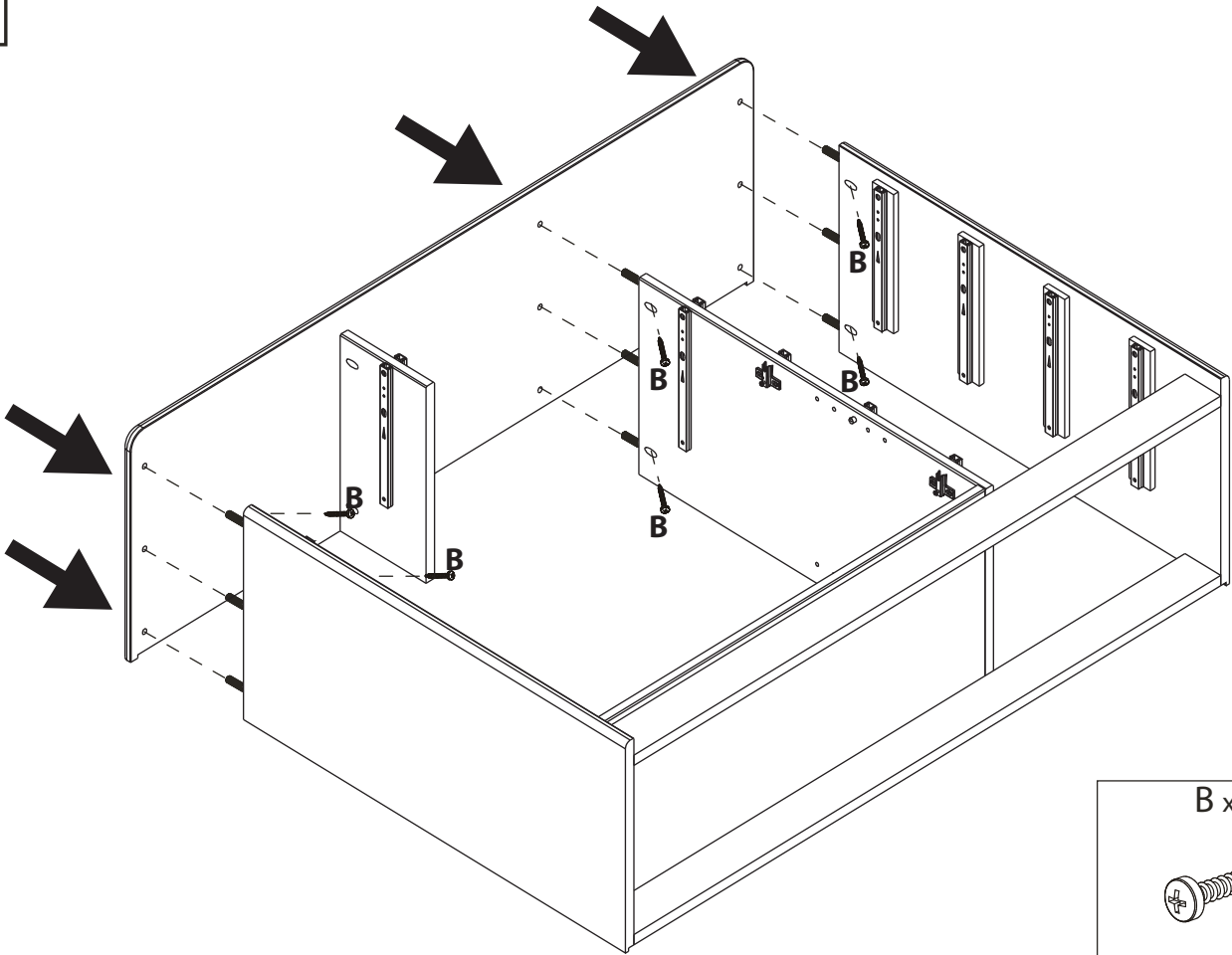
7



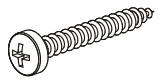
8



9

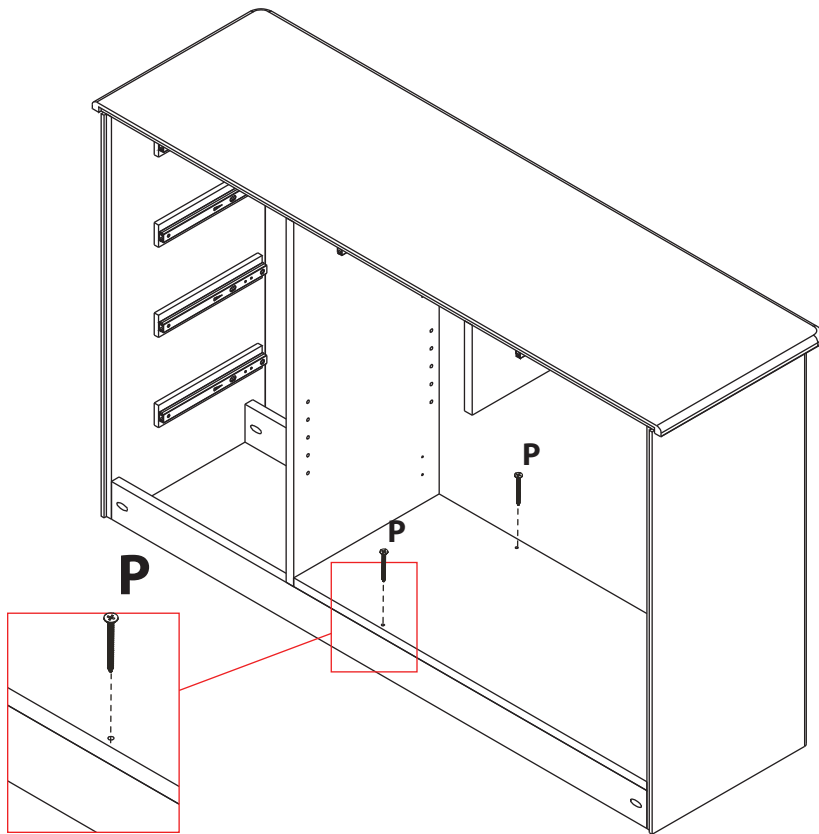


B x 06

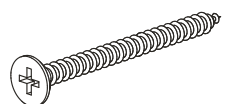


3,5 x 30mm

10

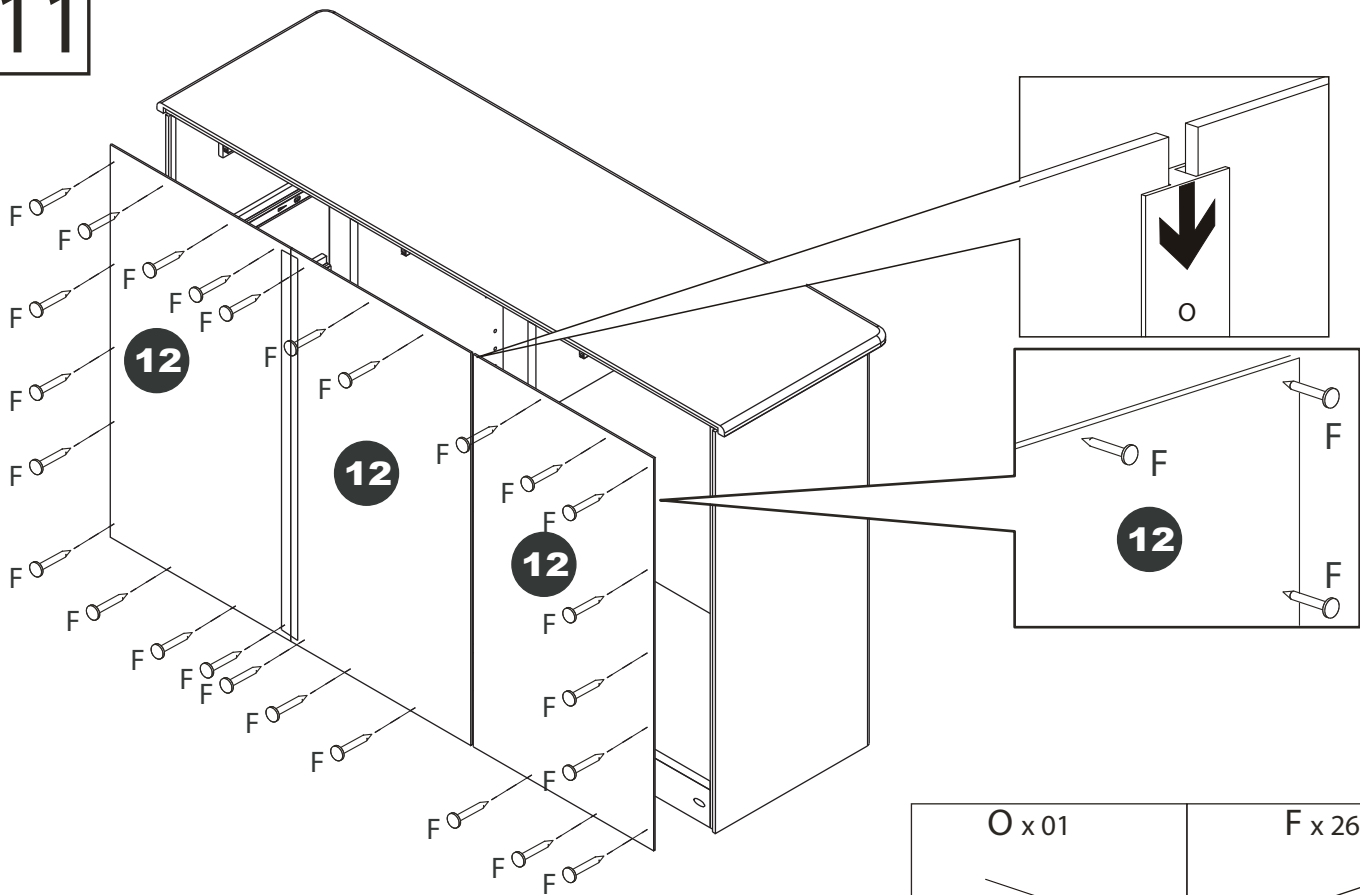


P x 02



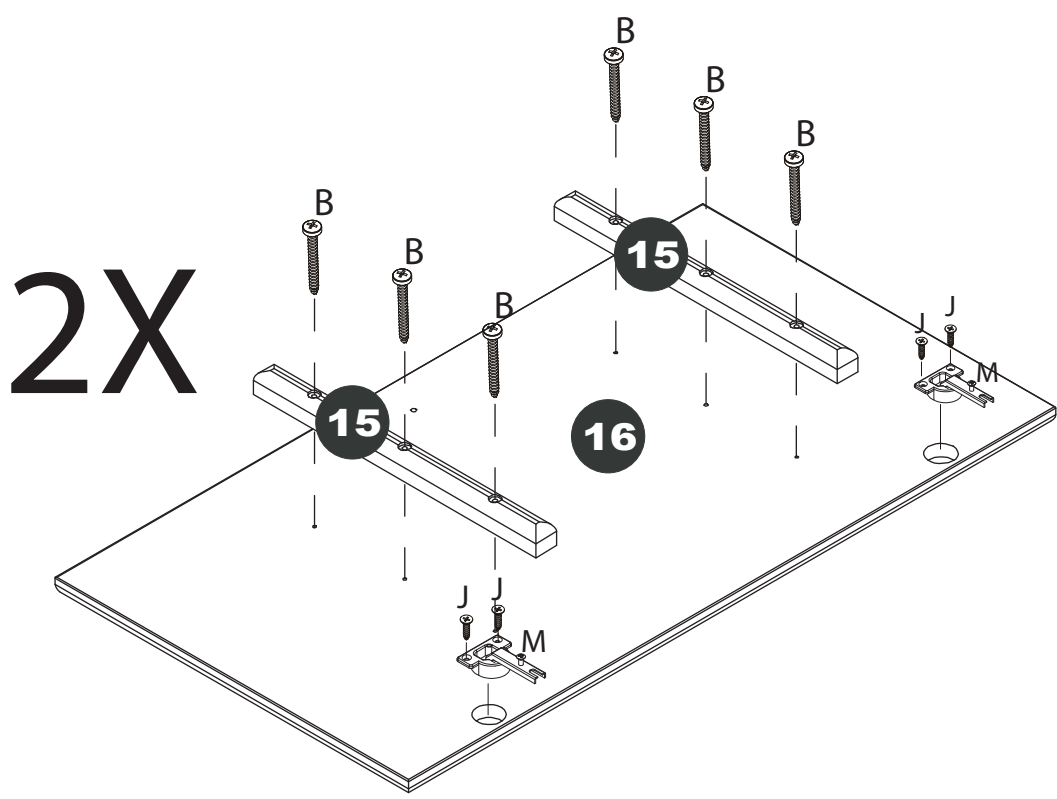
4,0 x 40mm

11



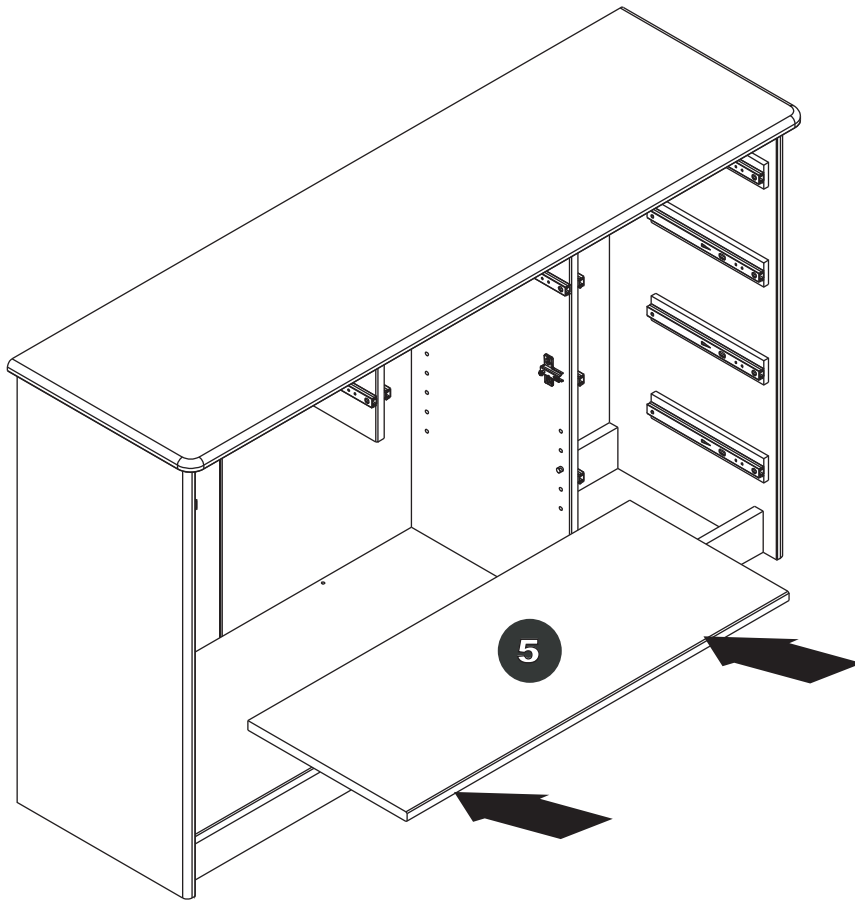
O x 01	F x 26

12

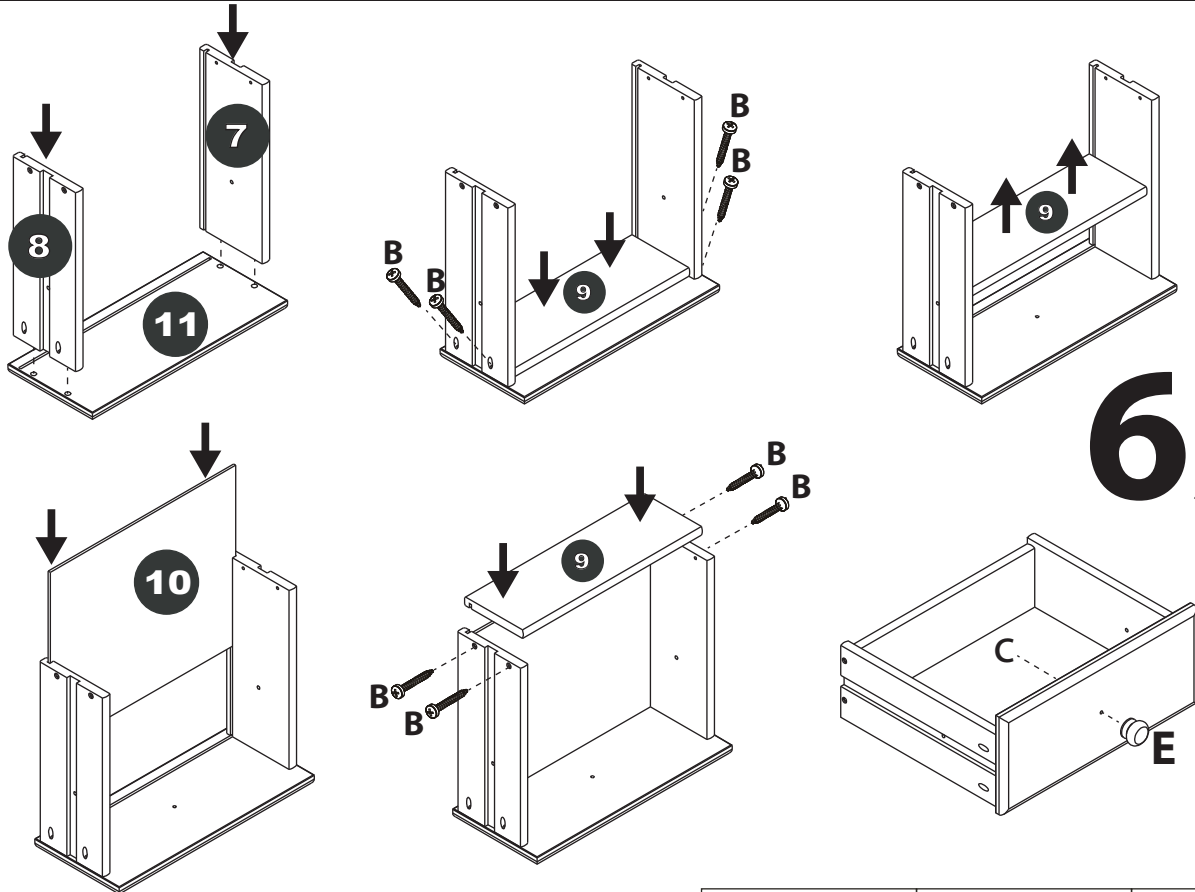


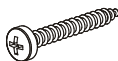
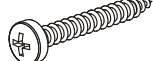

B x 12	M x 04	J x 08
3,5 x 30mm		4,0 X 16 mm

13

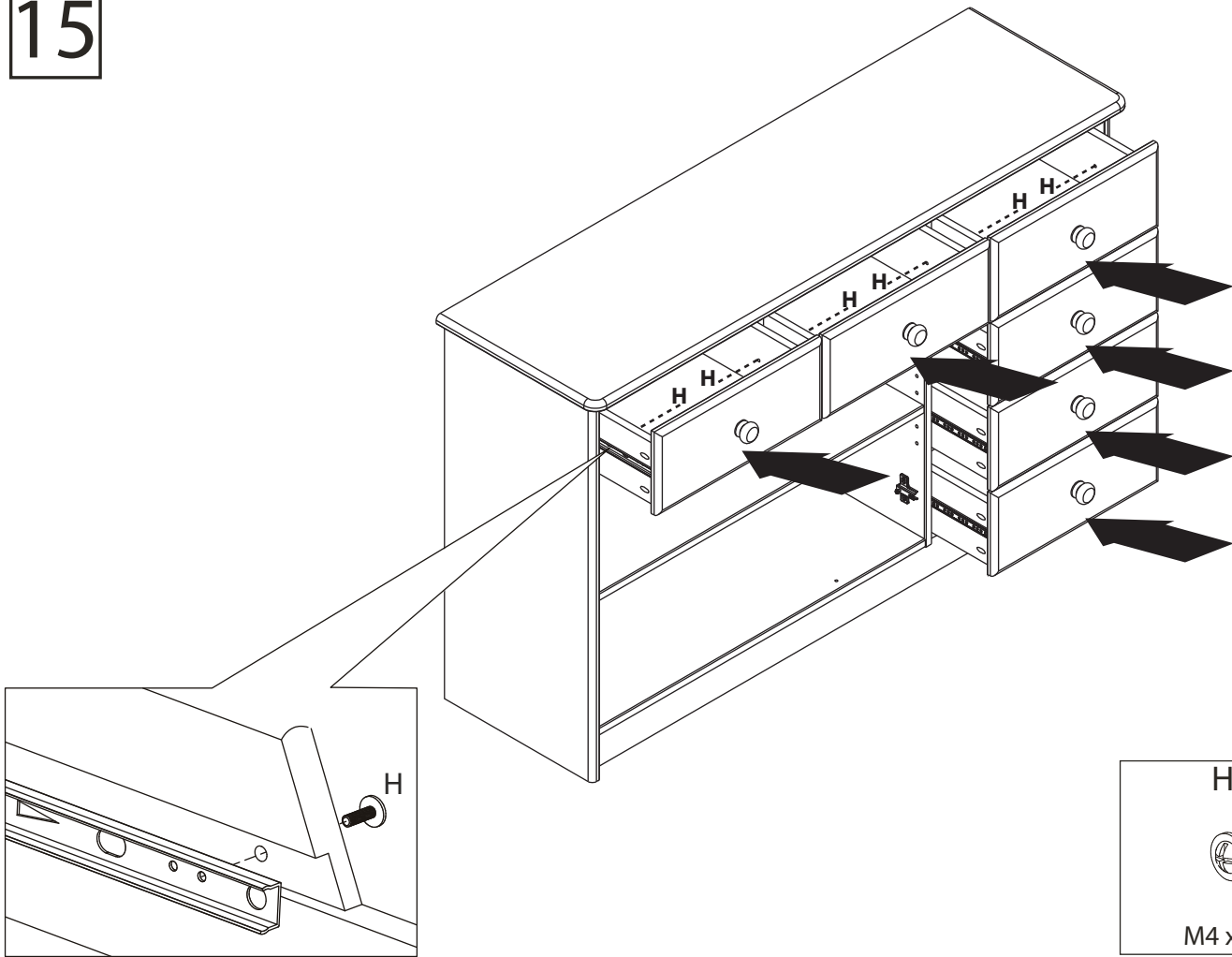


14



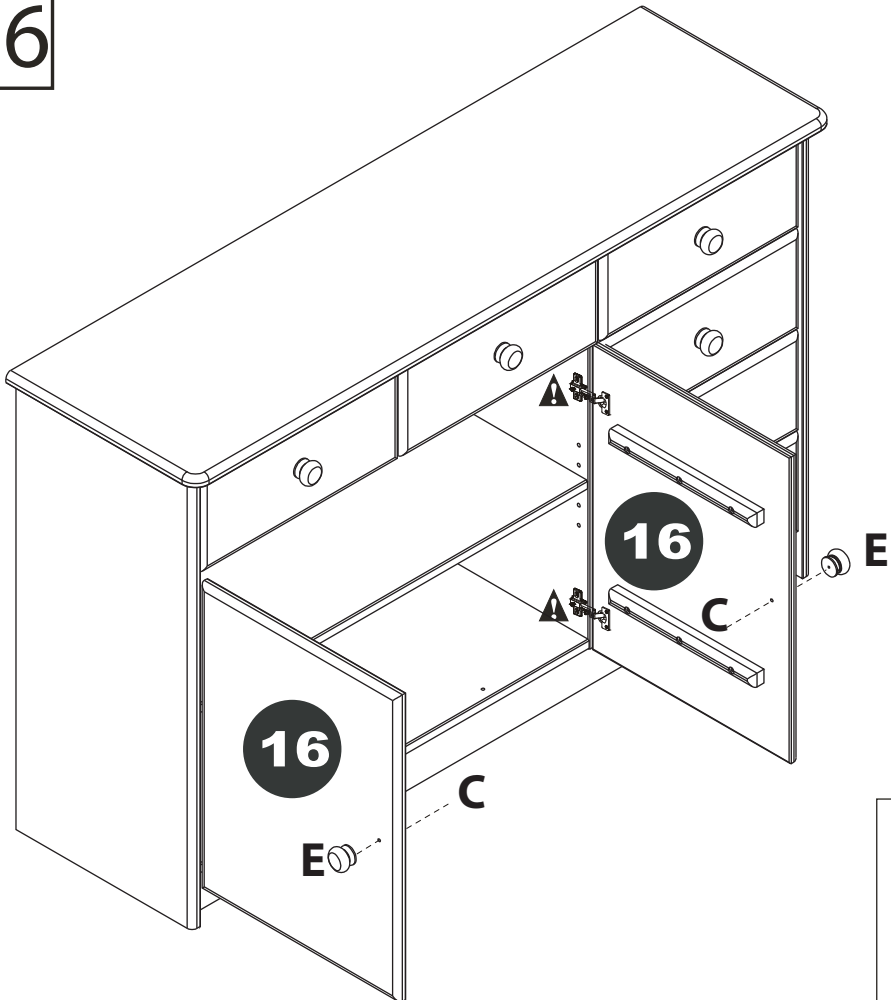
B x 48	C x 06	E x 06
		
3,5 x 30mm	4,0 x 40mm	

15



H x 12
M4 x 10mm

16



C x 02
4,0 x 40mm

E x 02

