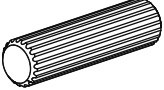
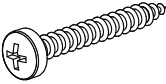
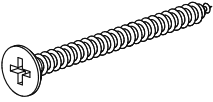
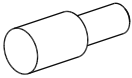
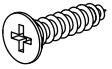
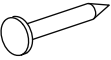
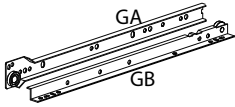
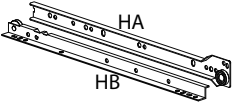
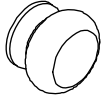
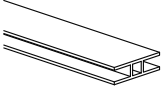


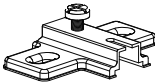

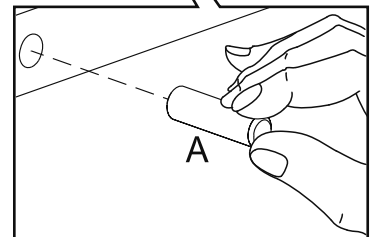
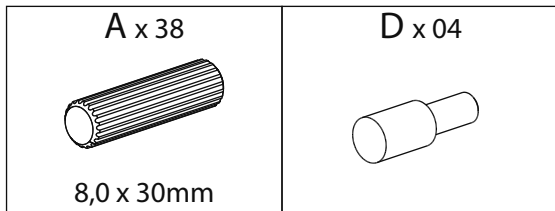
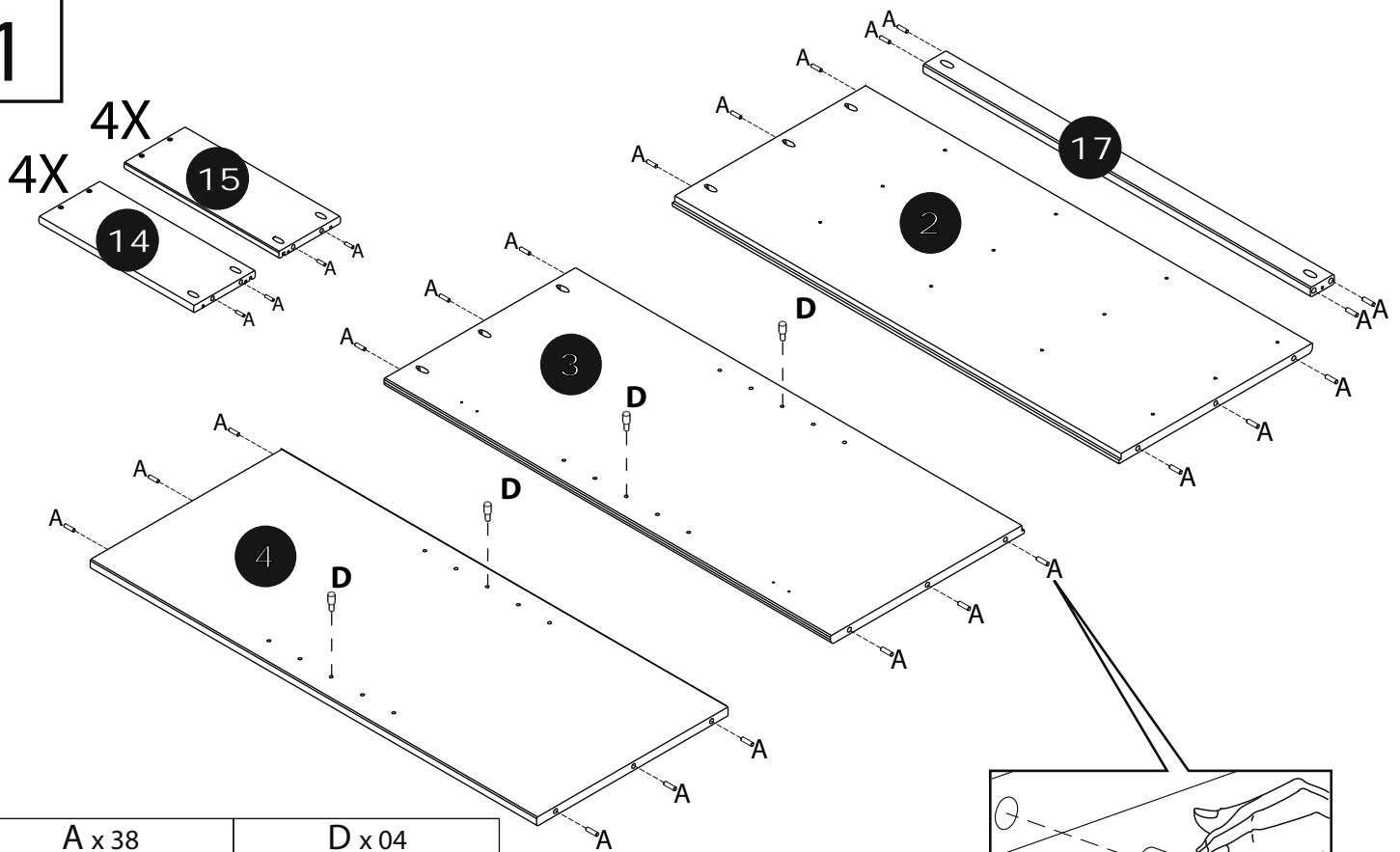


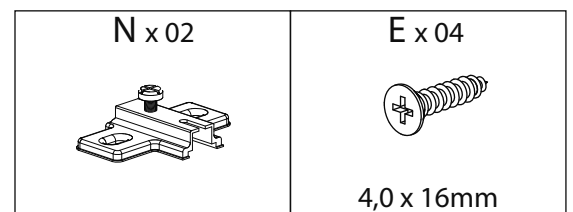
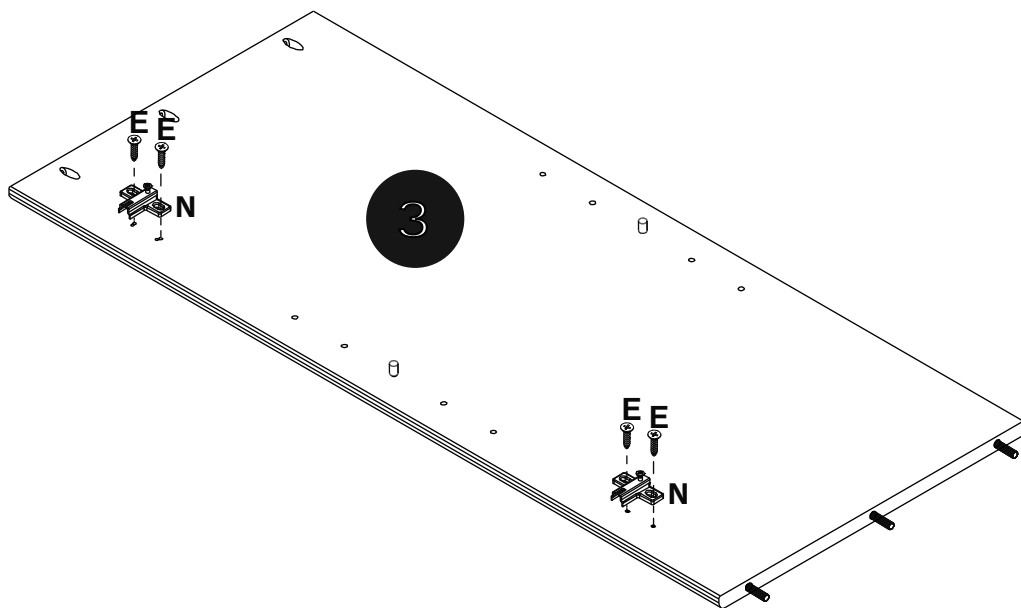
4X

<p>A x 38</p>  <p>8,0 x 30mm</p>	<p>B x 49</p>  <p>3,5 x 30mm</p>	<p>C x 20</p>  <p>4,0 x 40mm</p>	<p>D x 04</p> 	<p>E x 08</p>  <p>4,0 x 16mm</p>
<p>F x 30</p> 	<p>G x 04</p> 	<p>H x 04</p> 	<p>I x 09</p> 	<p>J x 01</p> 
<p>L x 24</p>  <p>3,0 x 16mm</p>	<p>M x 24</p>  <p>6,0 x 10mm</p>	<p>N x 02</p> 	<p>O x 02</p> 	

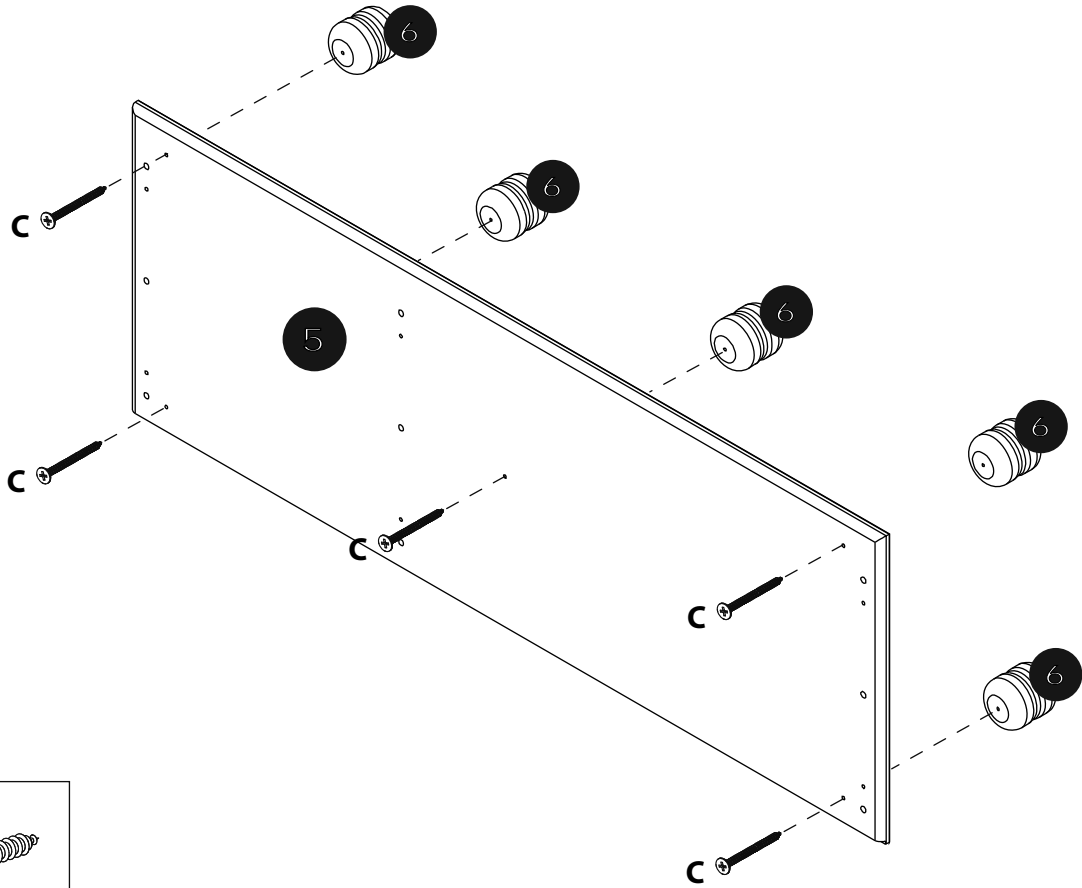
1



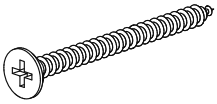
2



3

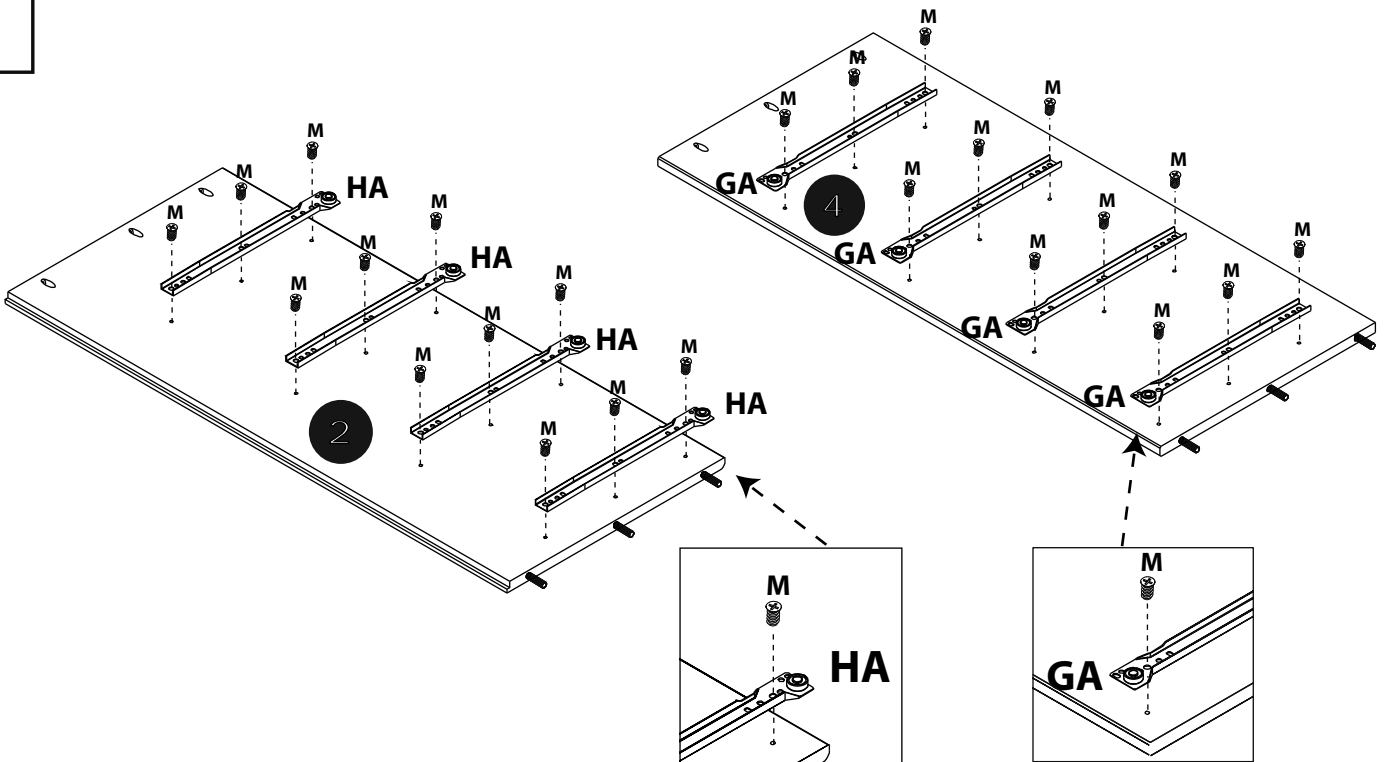


C x 05

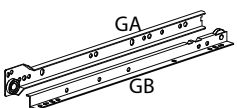


4,0 x 40mm

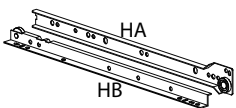
4



G x 04



H x 04

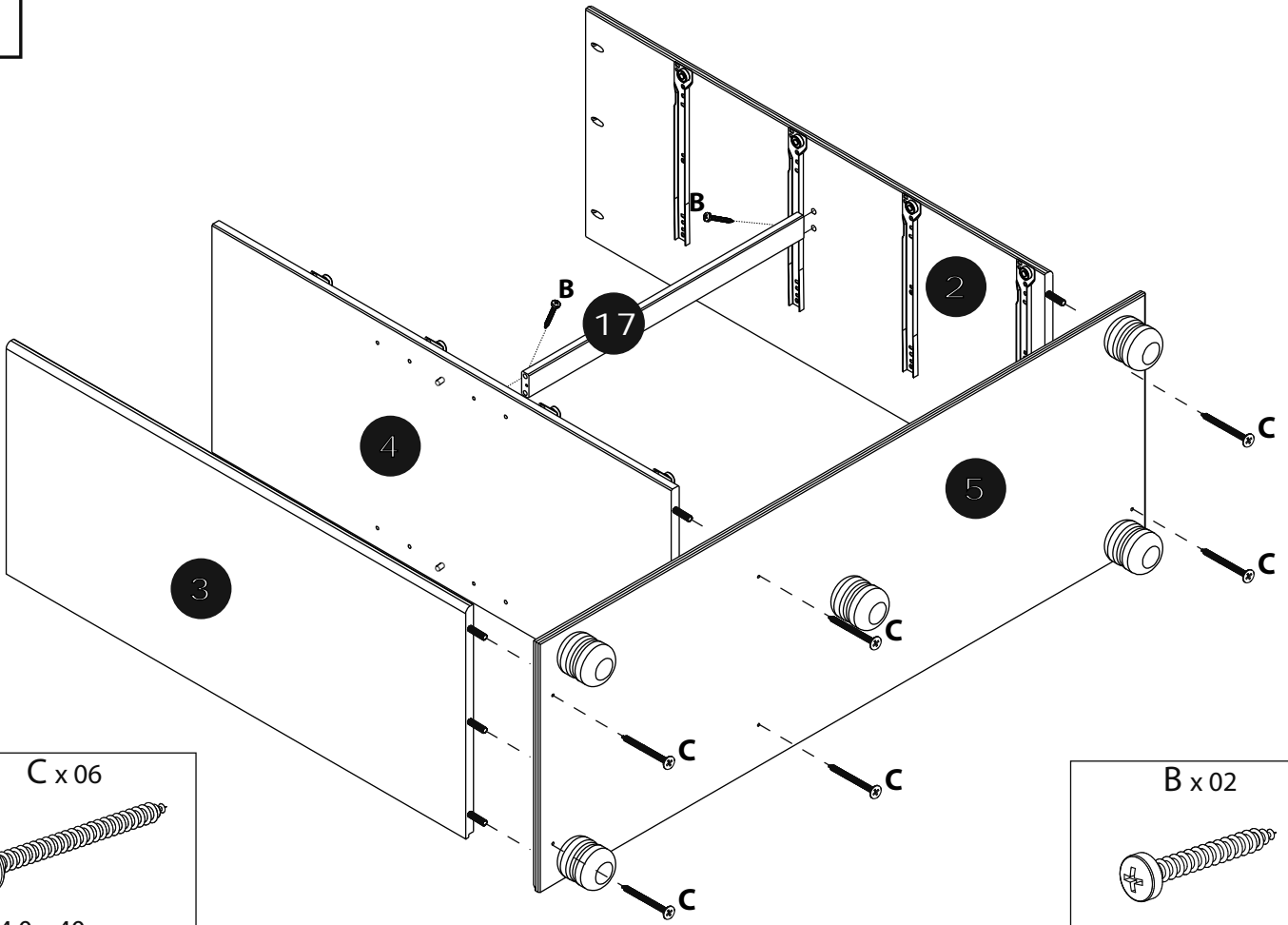


M x 24

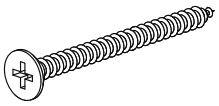


6,0 x 10mm

5

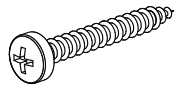


C x 06



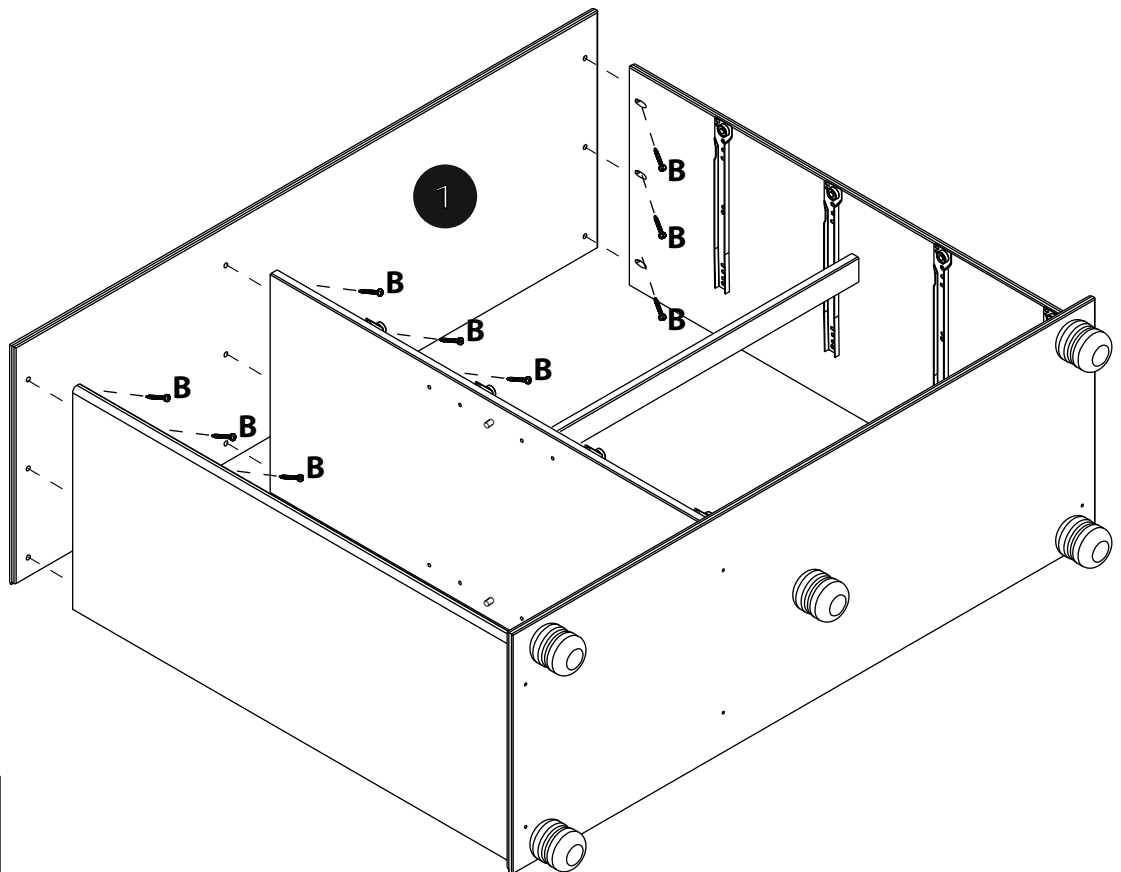
4,0 x 40mm

B x 02

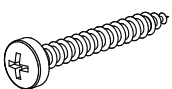


3,5 x 30mm

6

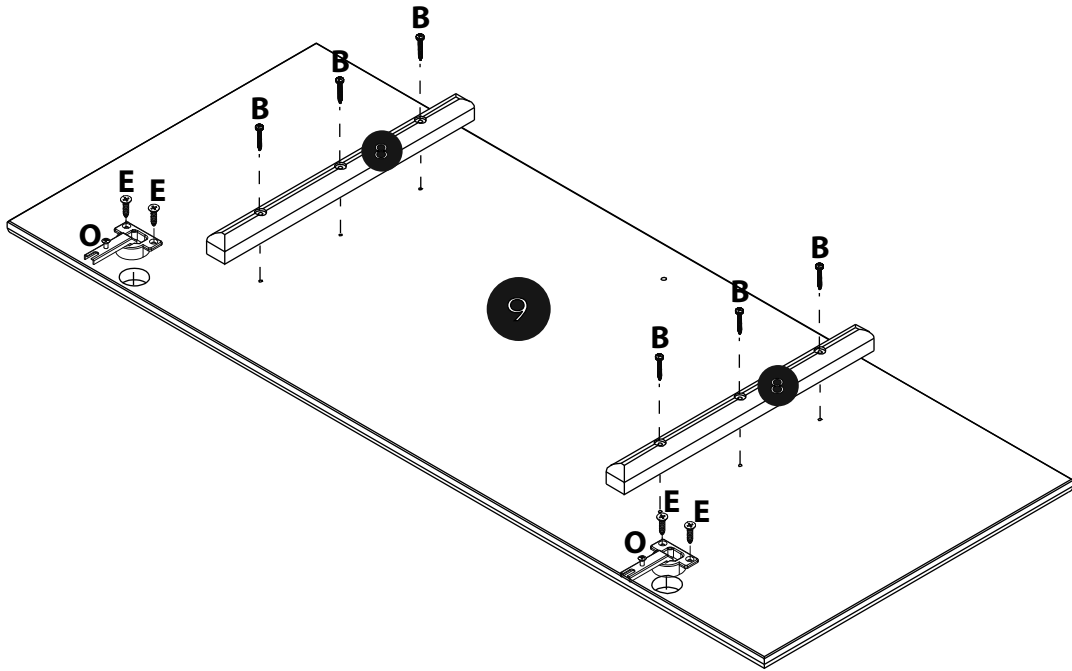


B x 09

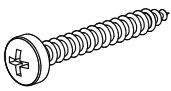


3,5 x 30mm

7



B x 06



3,5 x 30mm

O x 02

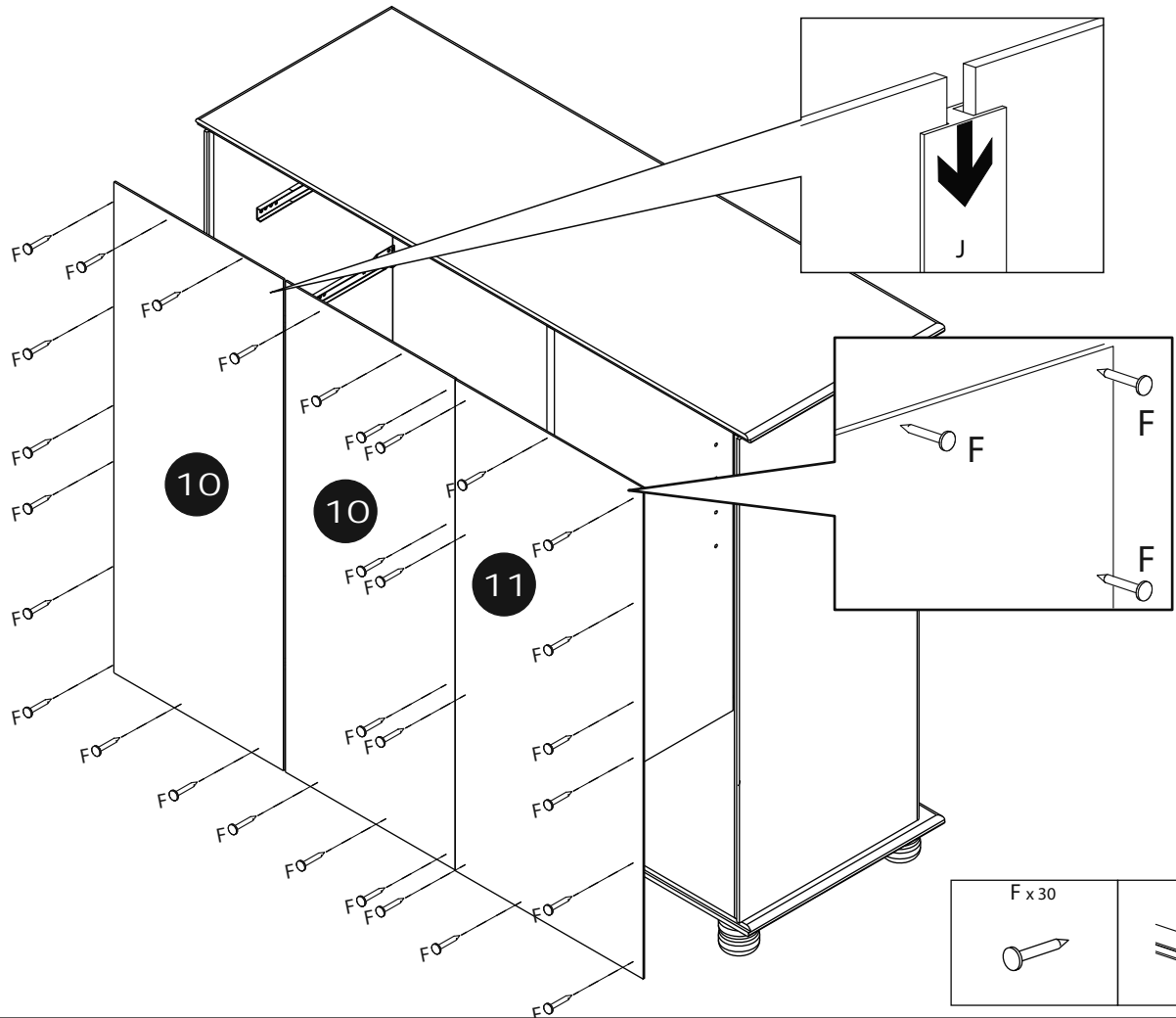


E x 04



4,0 x 16mm

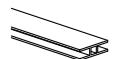
8



F x 30

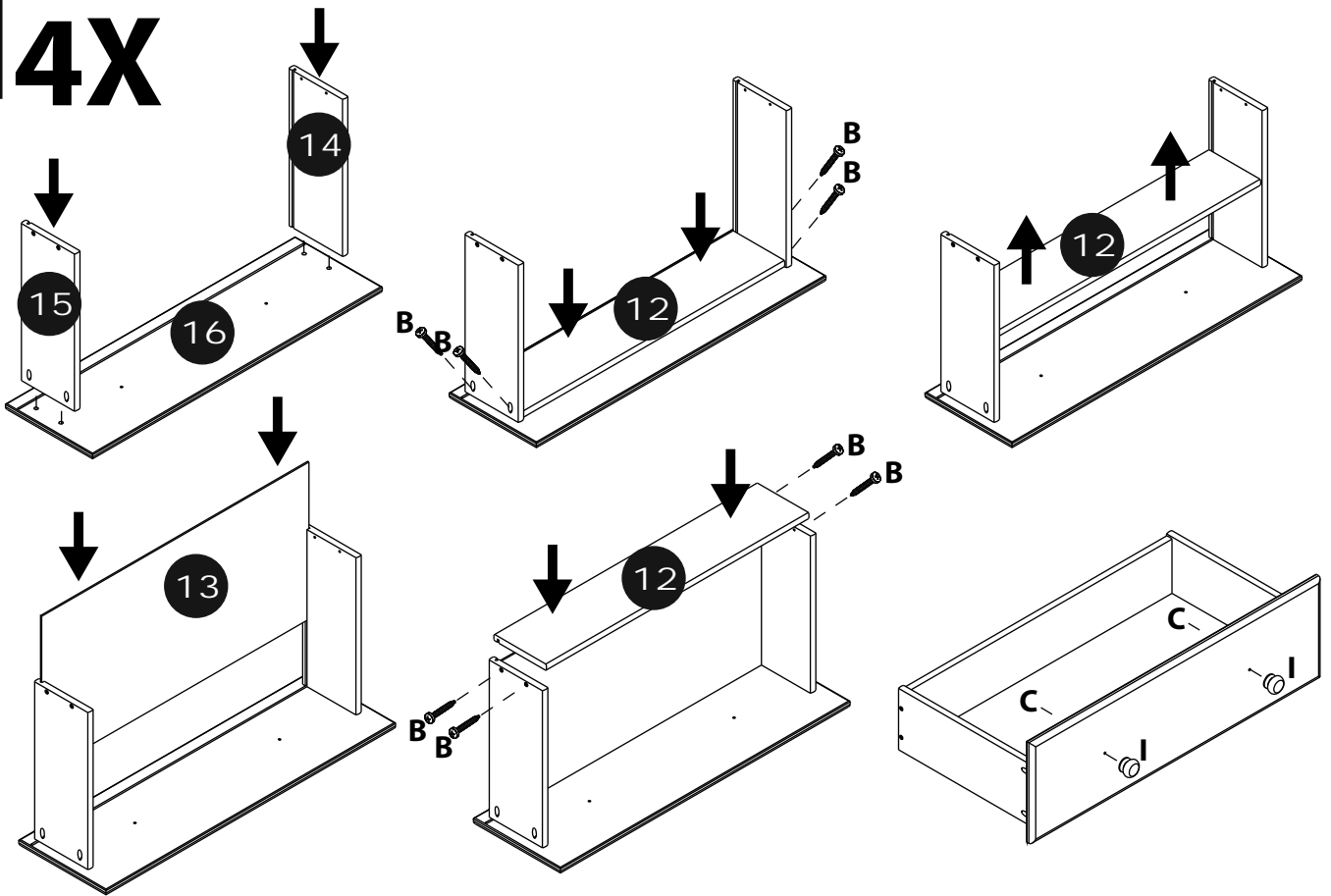





J x 01



9

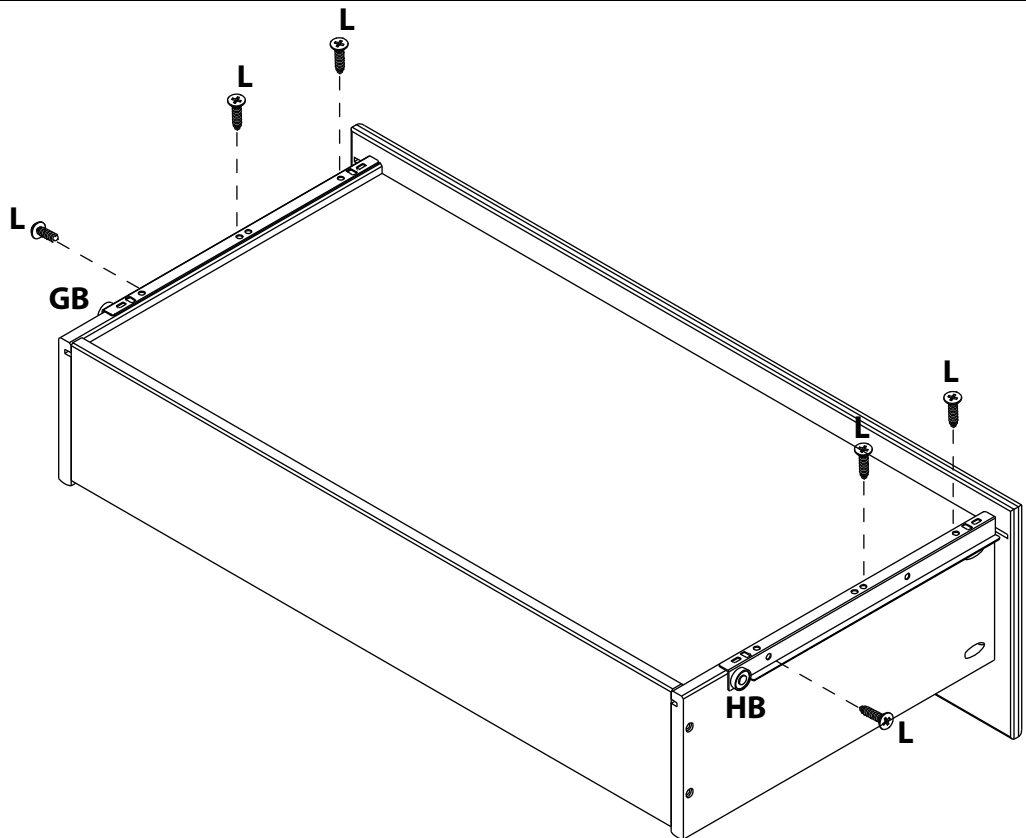
4X

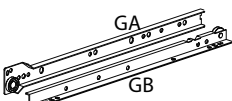
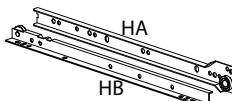
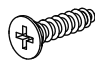


C x 08  4,0 x 40mm	B x 32  3,5 x 30mm	I x 08 
---	---	---

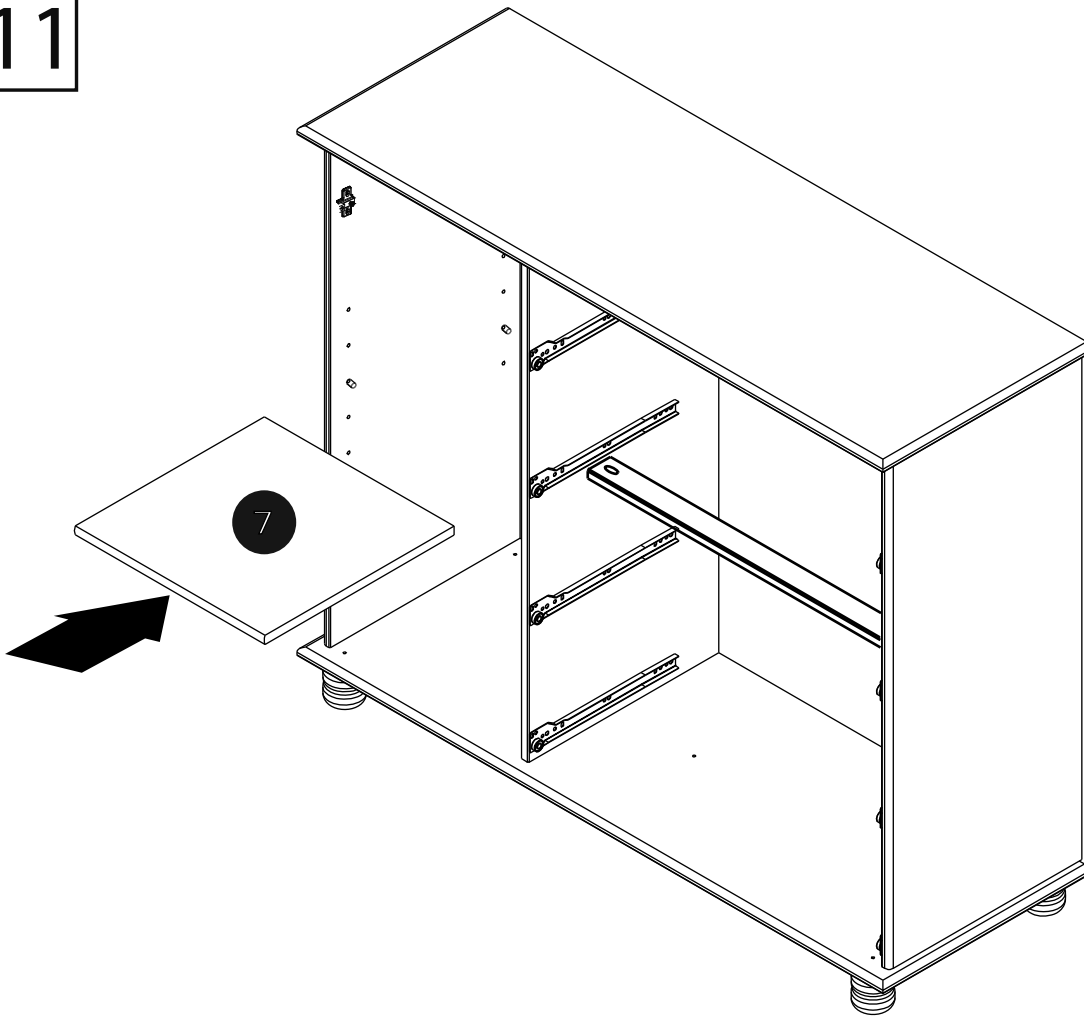
10

4X

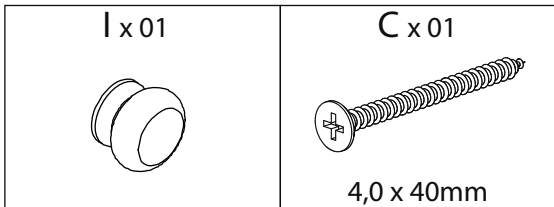
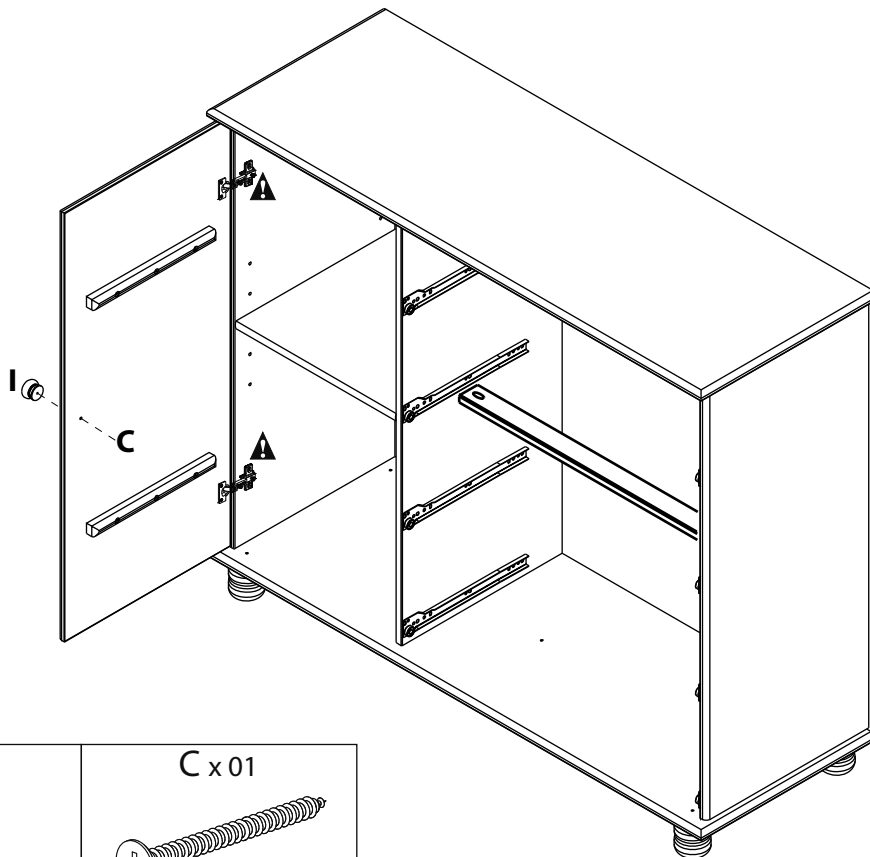


G x 04  GA GB	H x 04  HA HB	L x 24  3,0 x 16mm
---	---	---

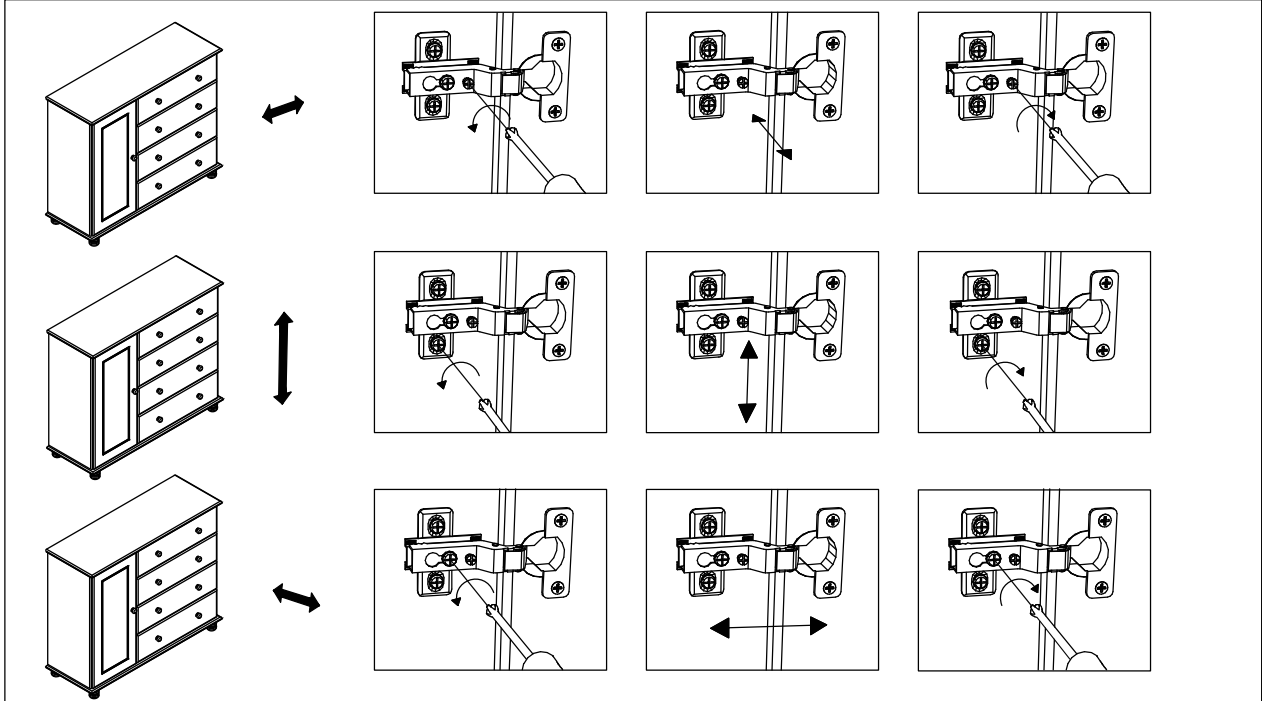
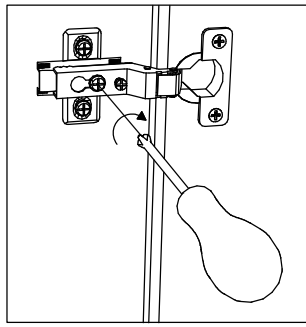
11



12



13



14

