





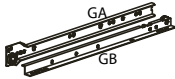
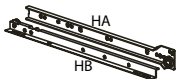



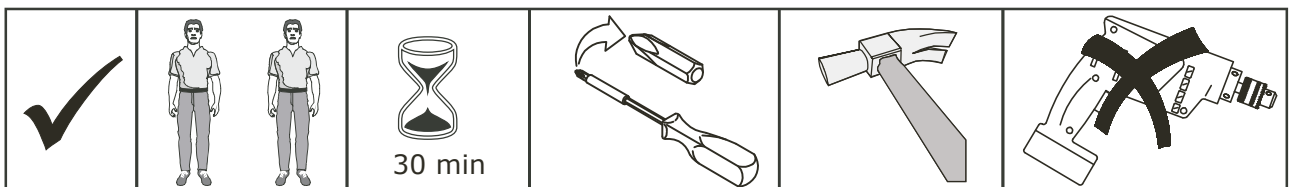
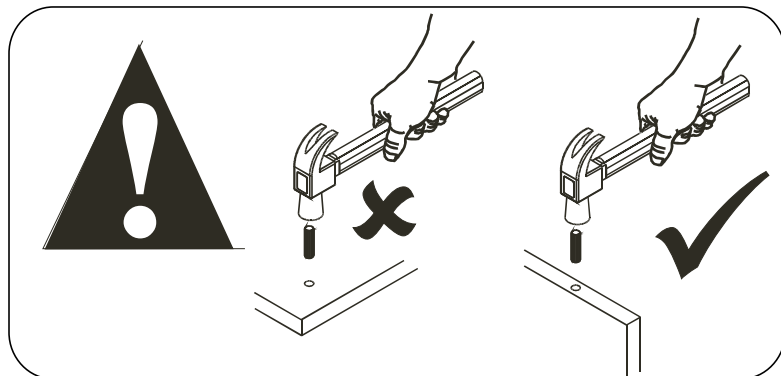
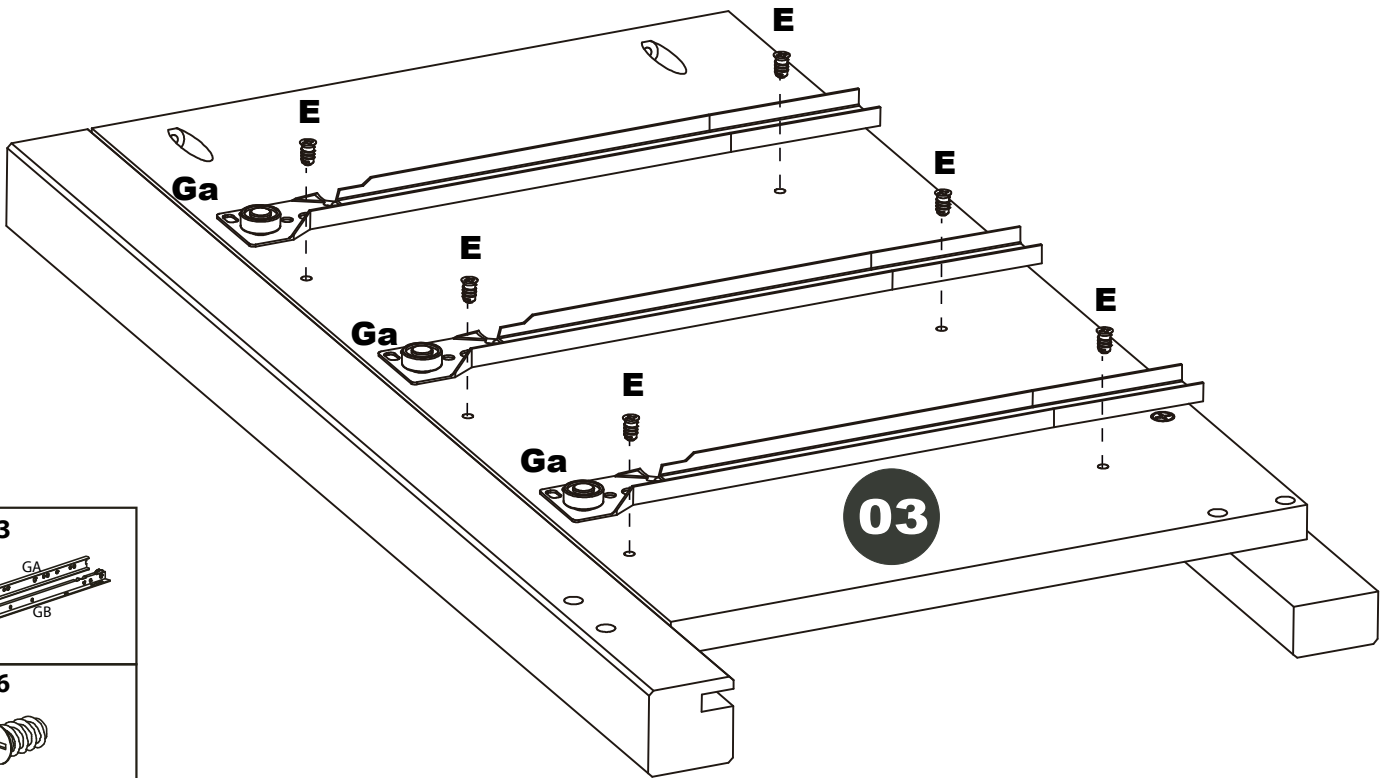
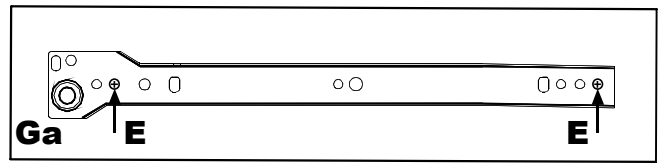


A=28  8,0 x 30 mm	B=33  3,5 x 30 mm	C=05  4,0 x 40 mm	D=19  3,0 x 16 mm	E=12  6,0 x 10 mm
F=14 	G=03 	H=03 	I=03 	J=02 
K=01 				



1

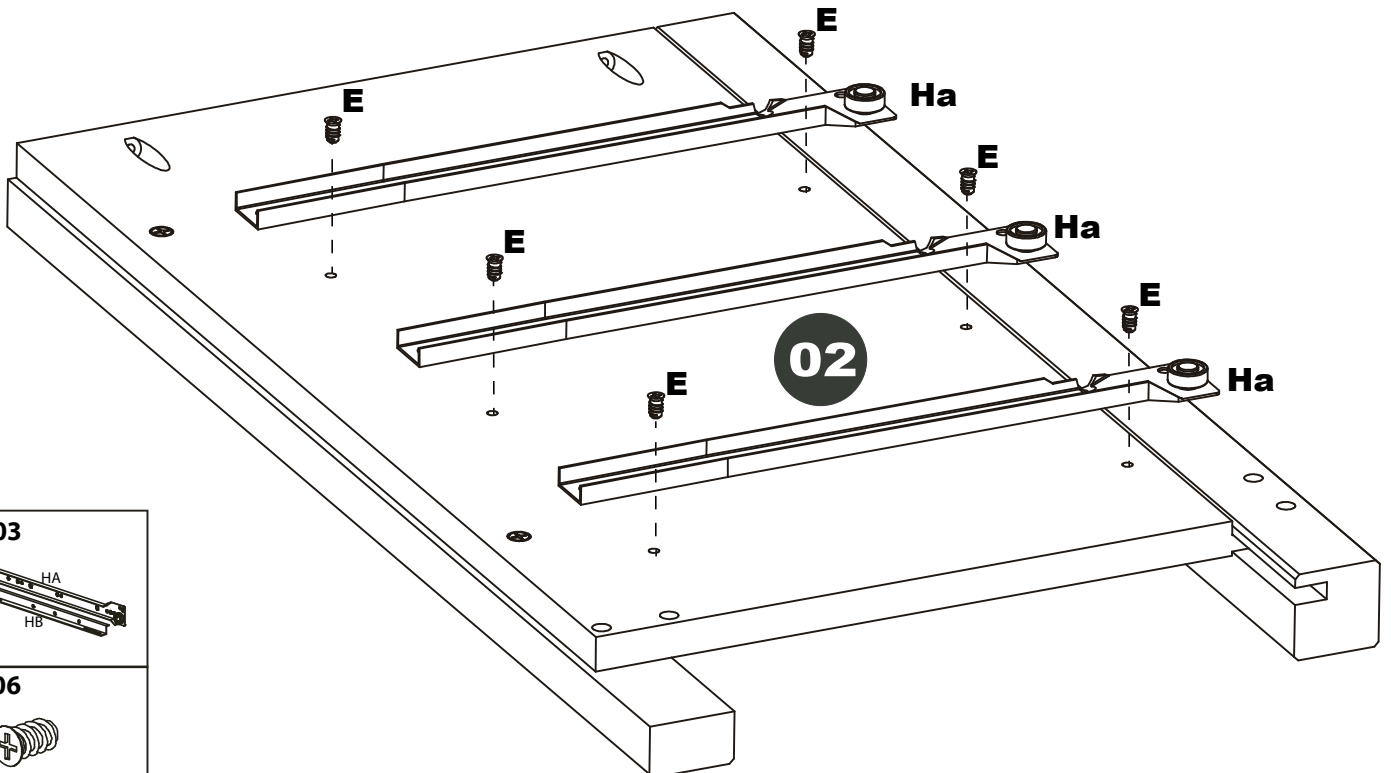
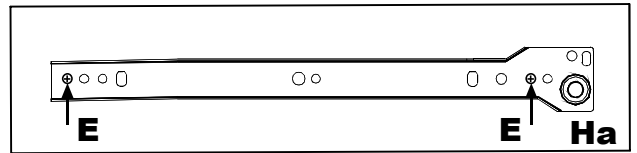


G=03

E=06

6,0x 10mm

2

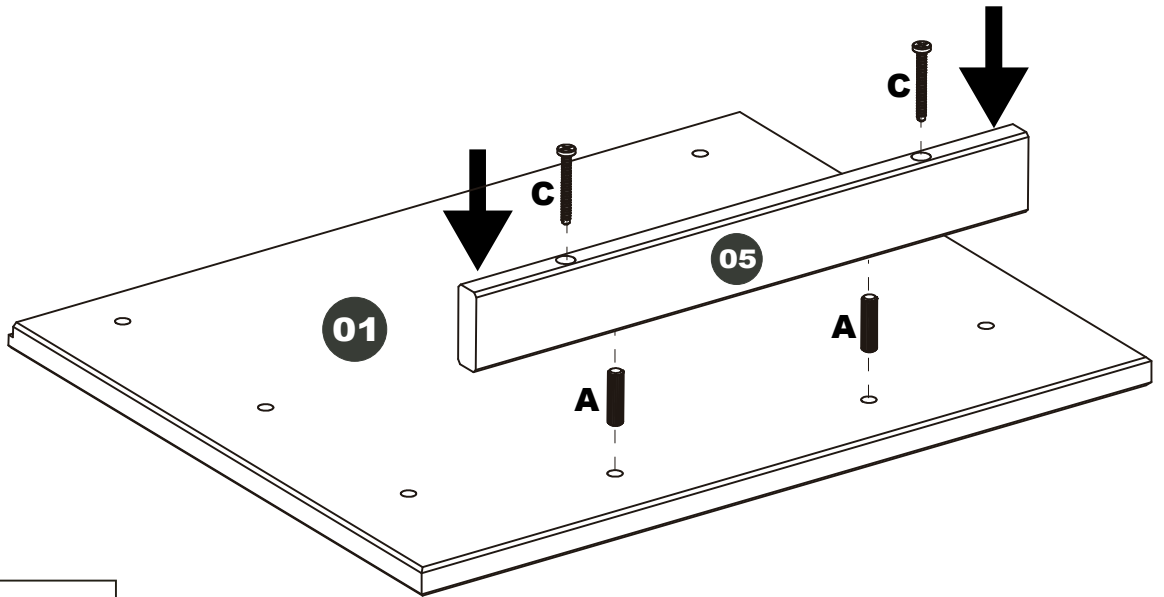
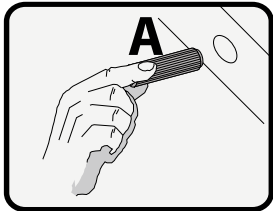
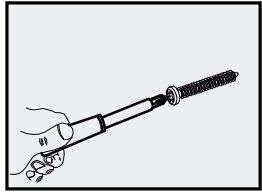


H=03

E=06

6,0x 10mm

3

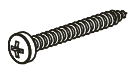


A=02



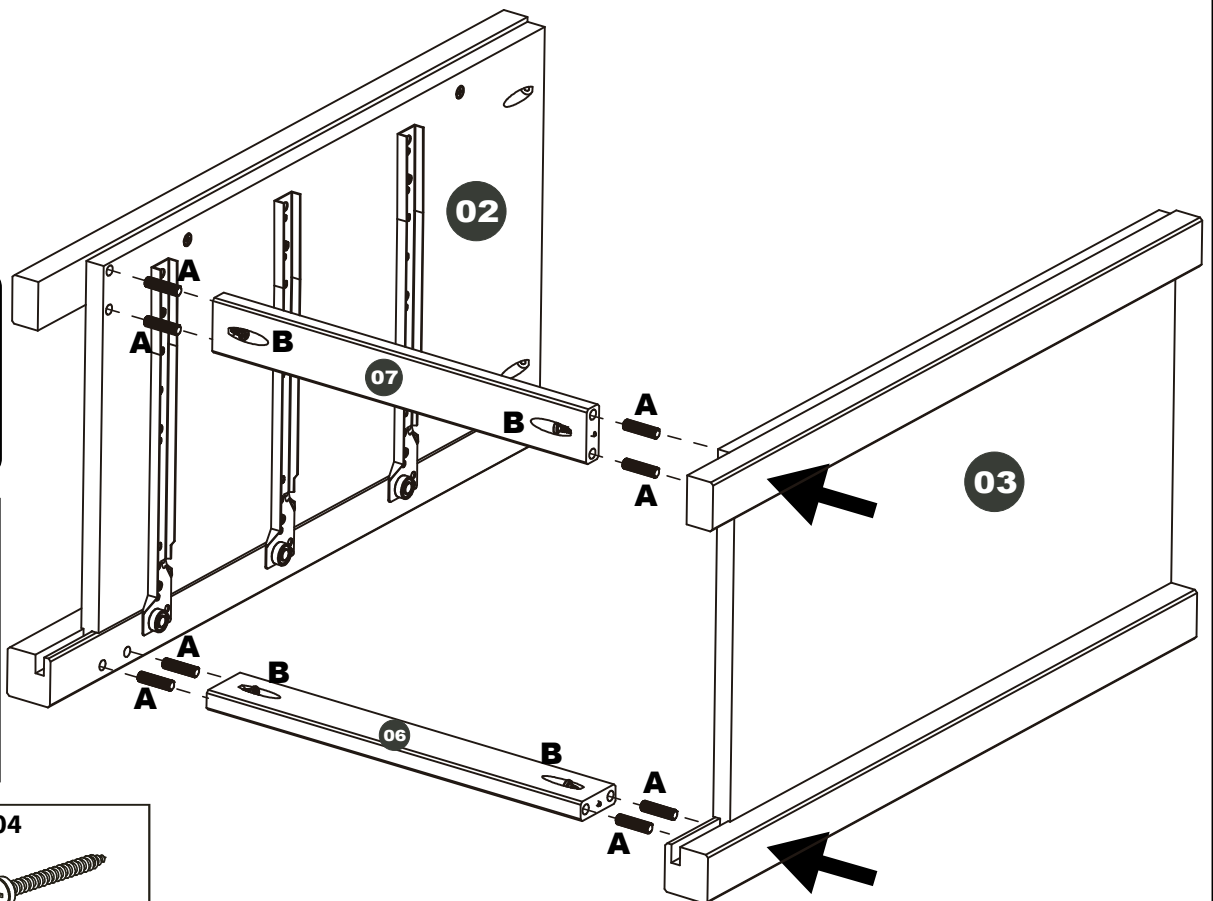
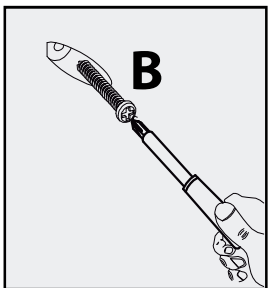
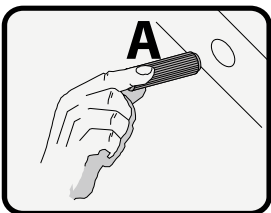
8,0 x 30mm

C=02



4,0 x 40mm

4

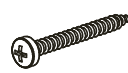


A=08



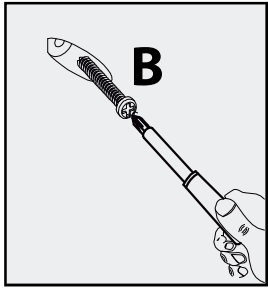
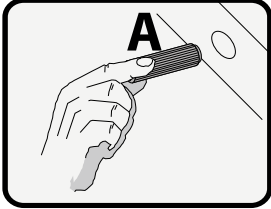
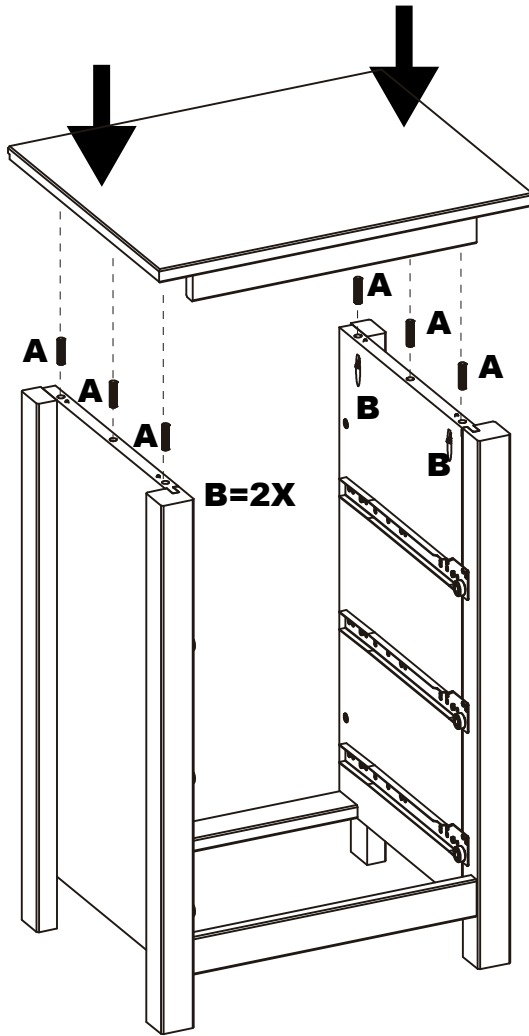
8,0 x 30mm

B=04



3,5 x 30mm

5



A=06



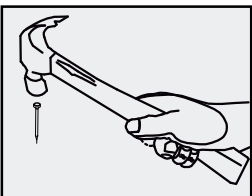
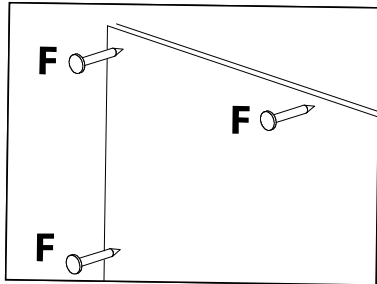
8,0 x 30mm

B=04

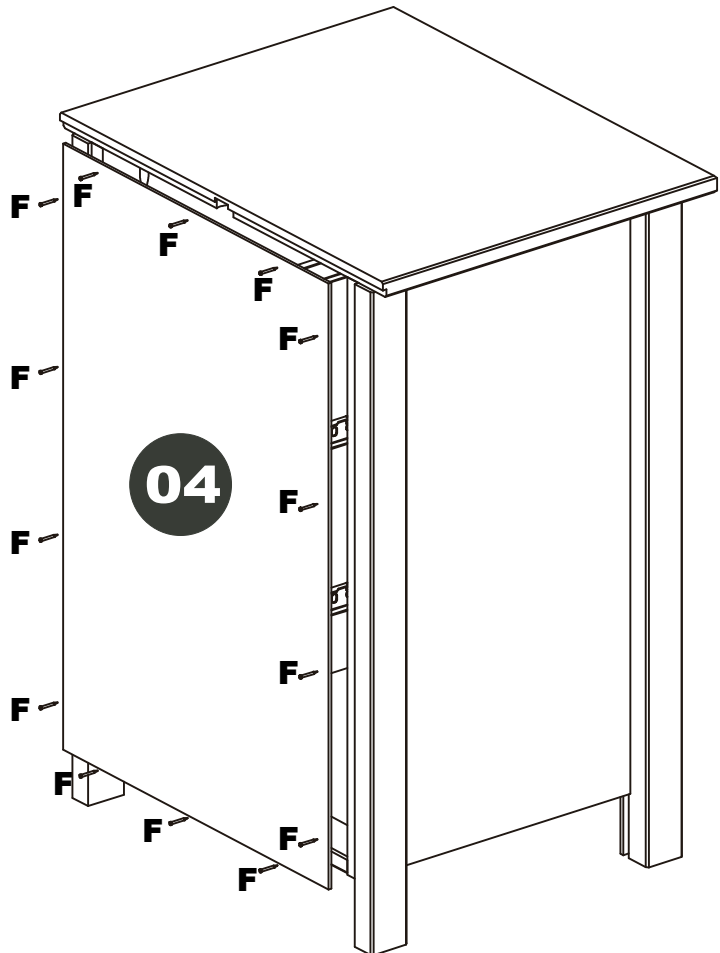


3,5 x 30mm

6

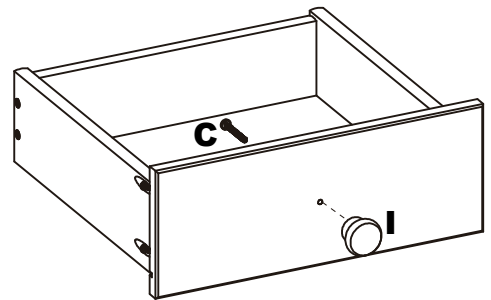
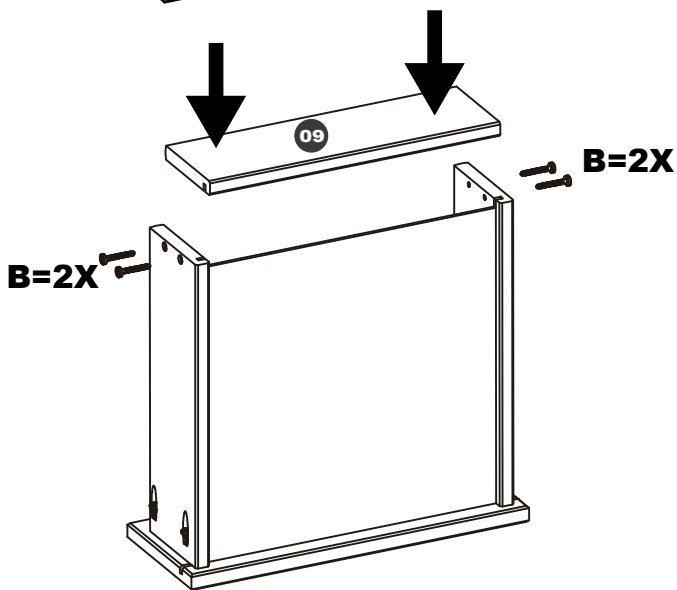
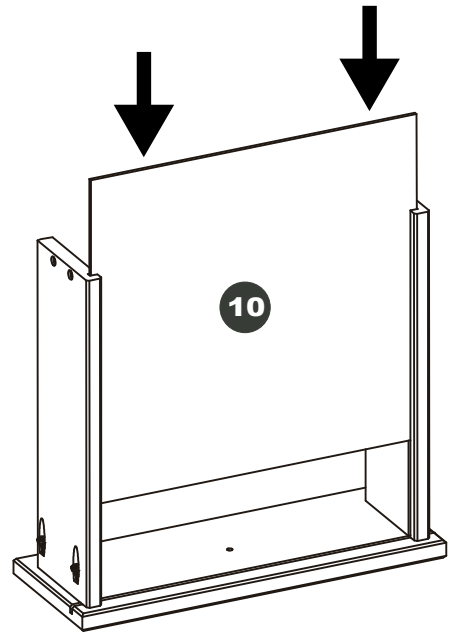
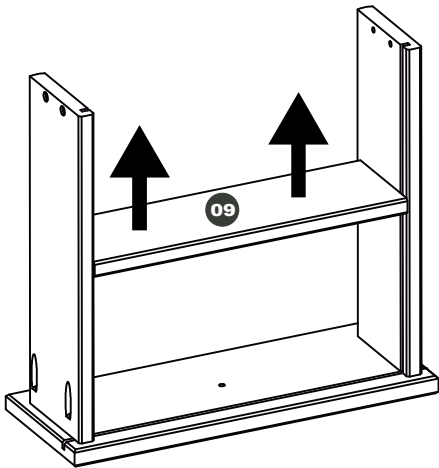
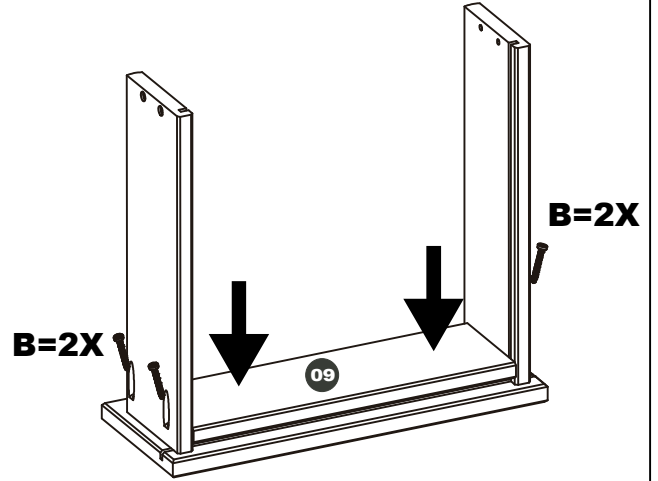
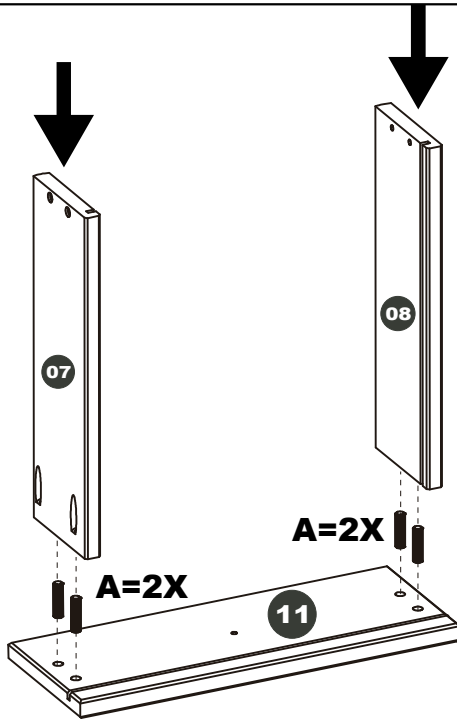
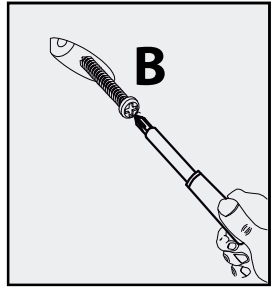
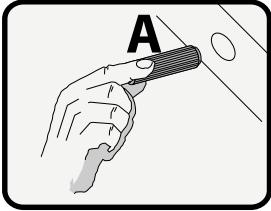


F=14



7

3X

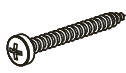


A=12



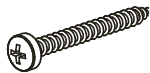
8,0 x 30mm

B=24



3,5 x 30mm

C=03

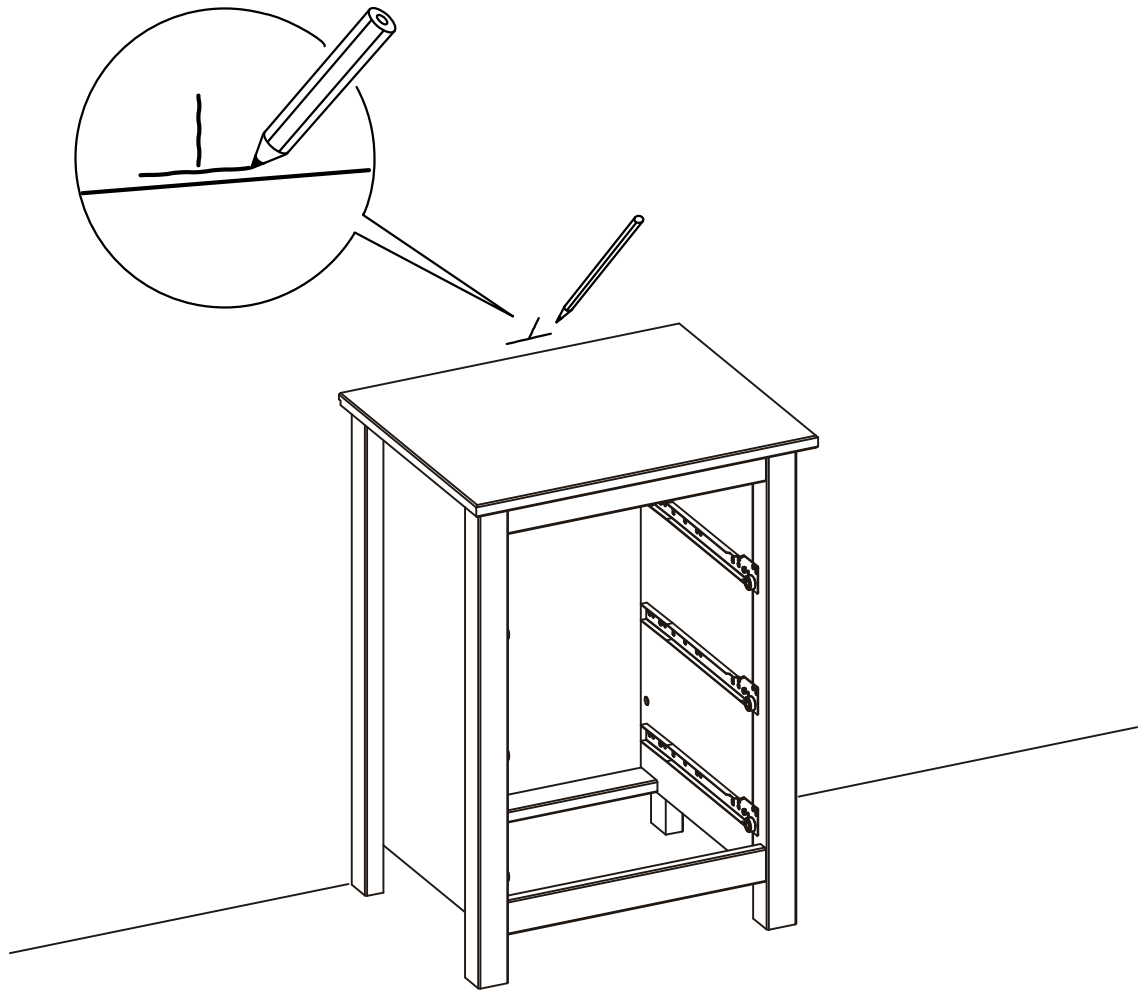


4,0 x 40mm

I=03



8



9

K=01



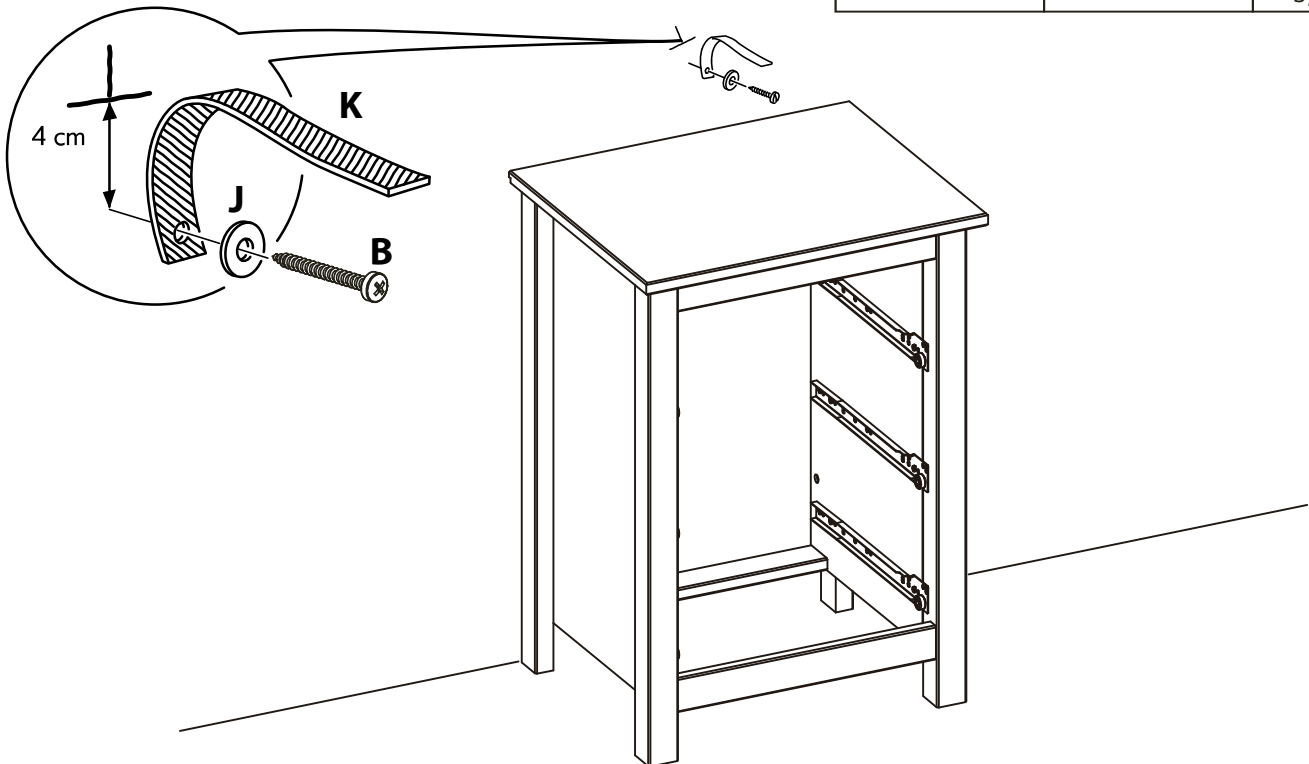
J=01



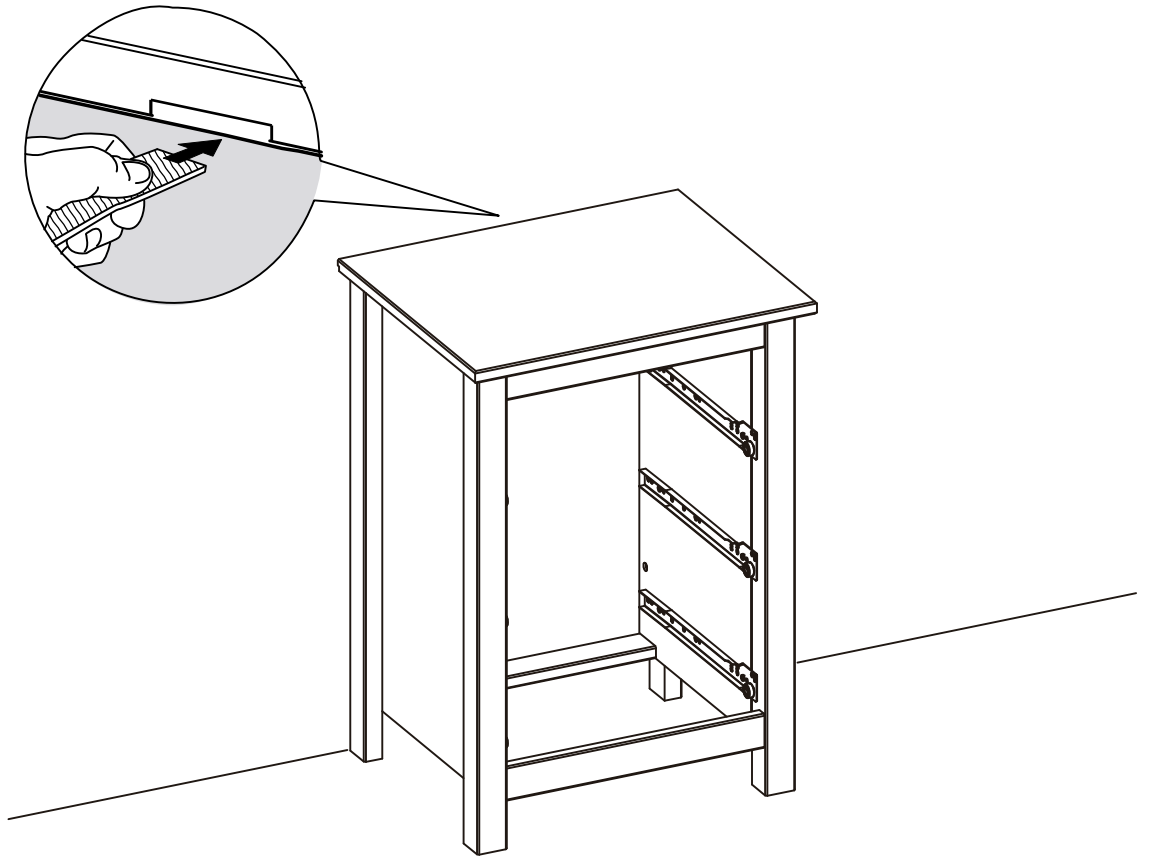
B=01



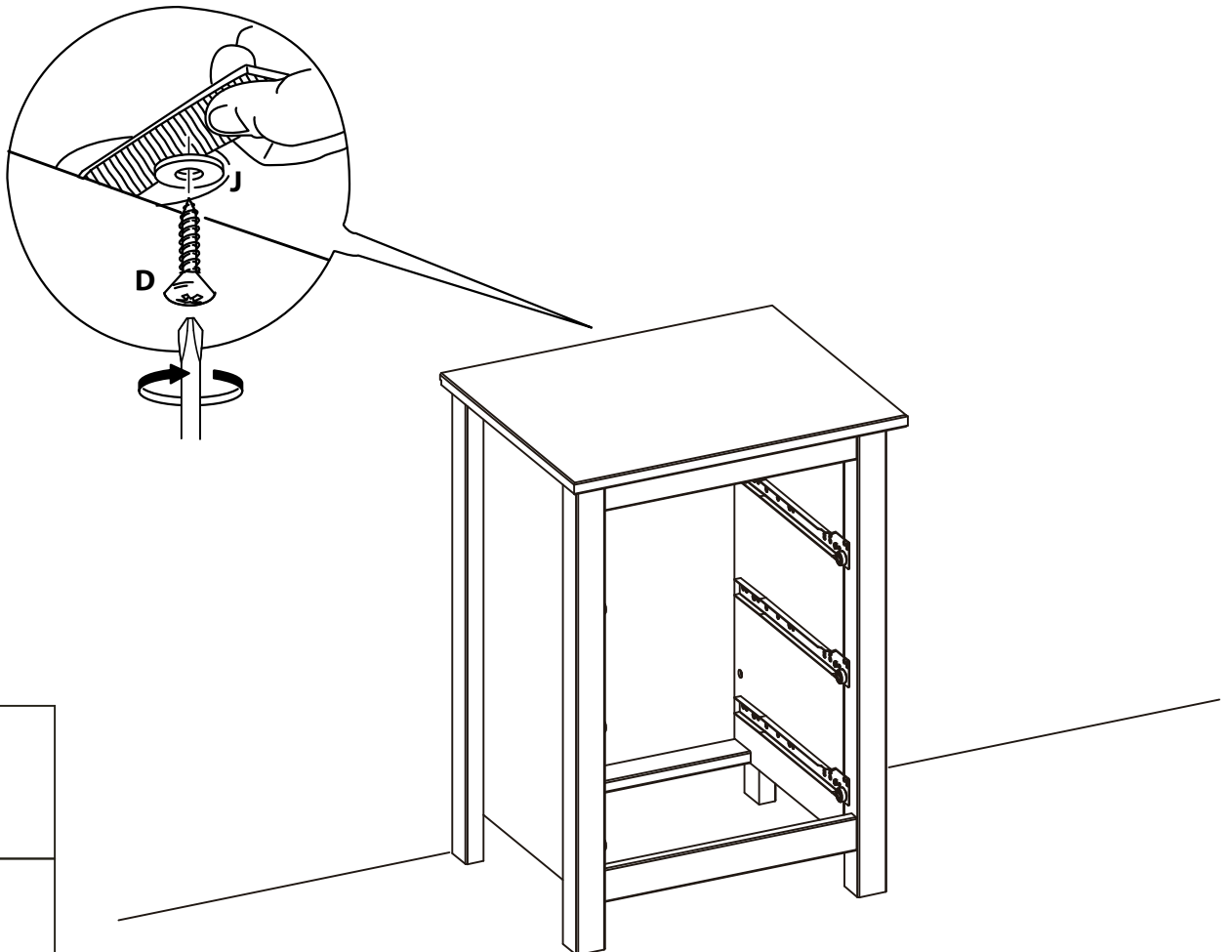
3,5 x 30mm



10



11



J=01



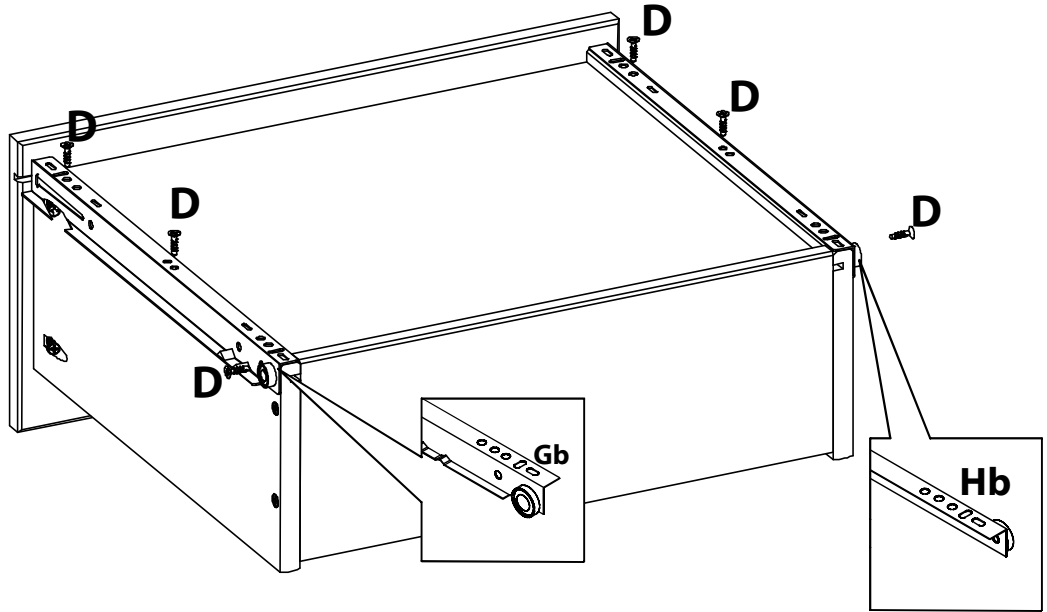
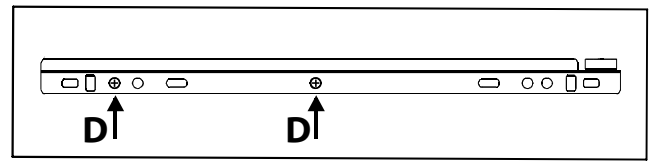
D=01



3,0x 16mm

12

3X

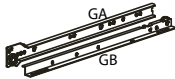


D=18

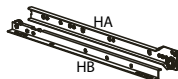


3,0x 16mm

G=03



H=03



13

