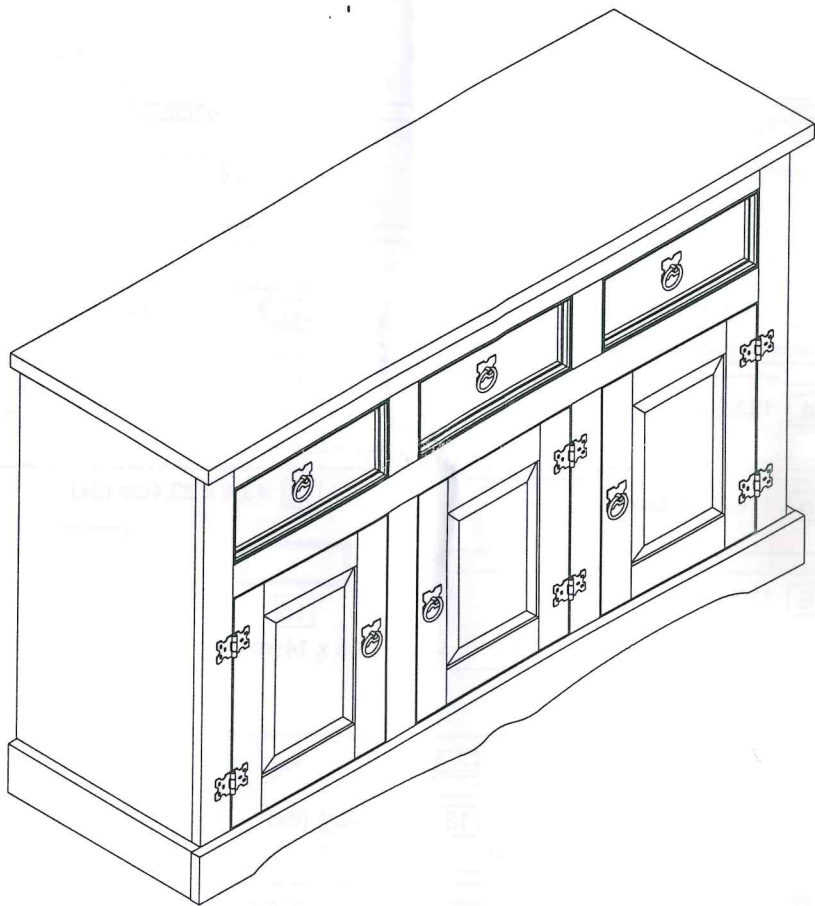
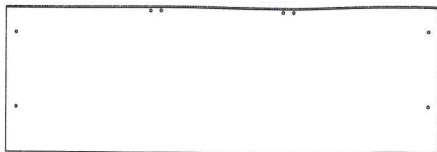
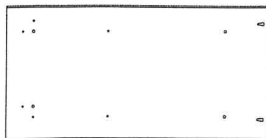


Ref.: 130

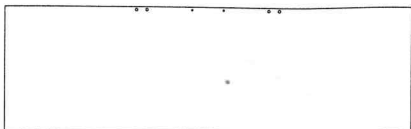




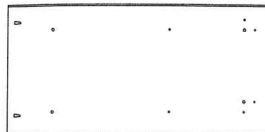
1 132,6 x 44cm



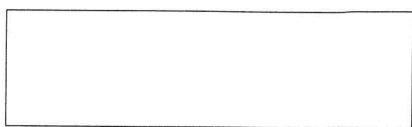
12 81 x 41cm



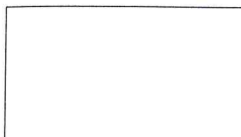
2 124,6 x 38,4cm



13 81 x 41cm



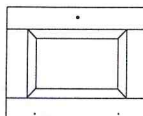
3 124,6 x 36cm



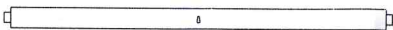
14 74 x 41,2cm (3x)



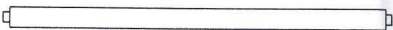
4 132,2 x 9,2cm



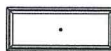
15 43,4 x 33,4cm (3x)



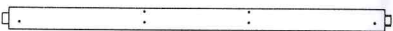
5 119,2 x 6,5cm



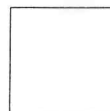
6 119,2 x 6,5cm



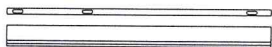
33,5 x 14cm (3x)



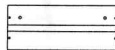
7 119,2 x 6,5cm



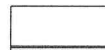
32,2 x 32,6cm (3x)



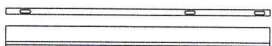
8 81 x 6,5cm



18 34 x 14cm (6x)



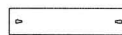
19 31 x 14cm (3x)



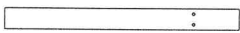
9 81 x 6,5cm



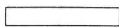
20 40,8 x 9,2cm (2x)



21 36,6 x 8cm (2x)



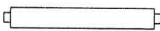
10 71,8 x 6,5cm (2x)



22 35 x 5,5cm (2x)



23 18,8 x 6,5cm (2x)



11 48 x 6,5cm (2x)

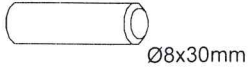


24 20 x 7,4cm



25 10 x 2cm (4x)

A x 34



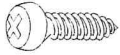
Ø8x30mm

G x 6



Ø5x19mm

B x 48

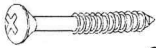


Ø3,5x14mm

H x 6

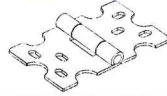


C x 34

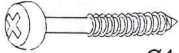


Ø3,5x30mm

J x 6



D x 29



Ø4,0x35mm

K x 3

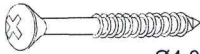


Ka



Kb

E x 6

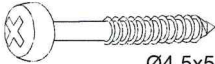


Ø4,0x40mm

L x 4

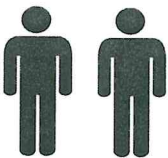
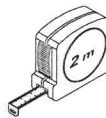
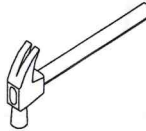
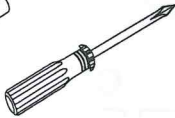
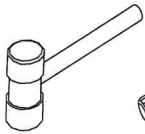
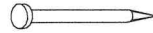


F x 4

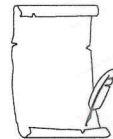
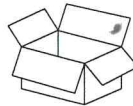


Ø4,5x50mm

M x 54

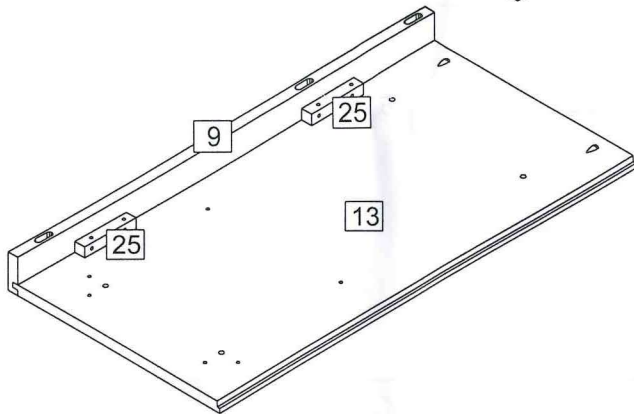
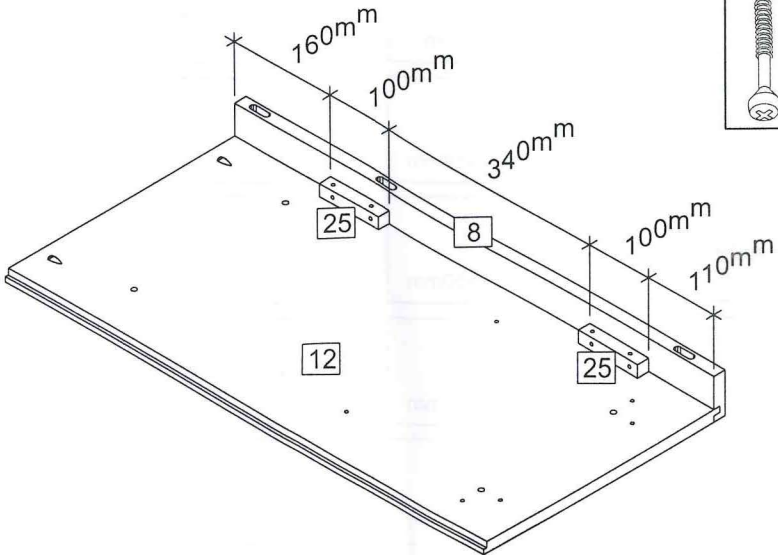


90 min

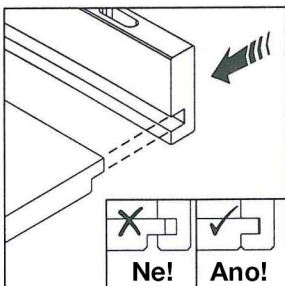


1

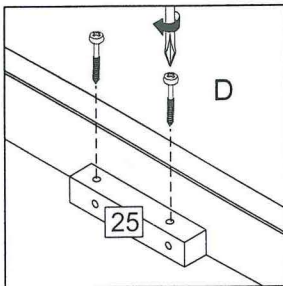
Dx16



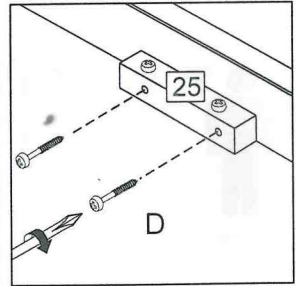
**a:**




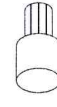
**b:**

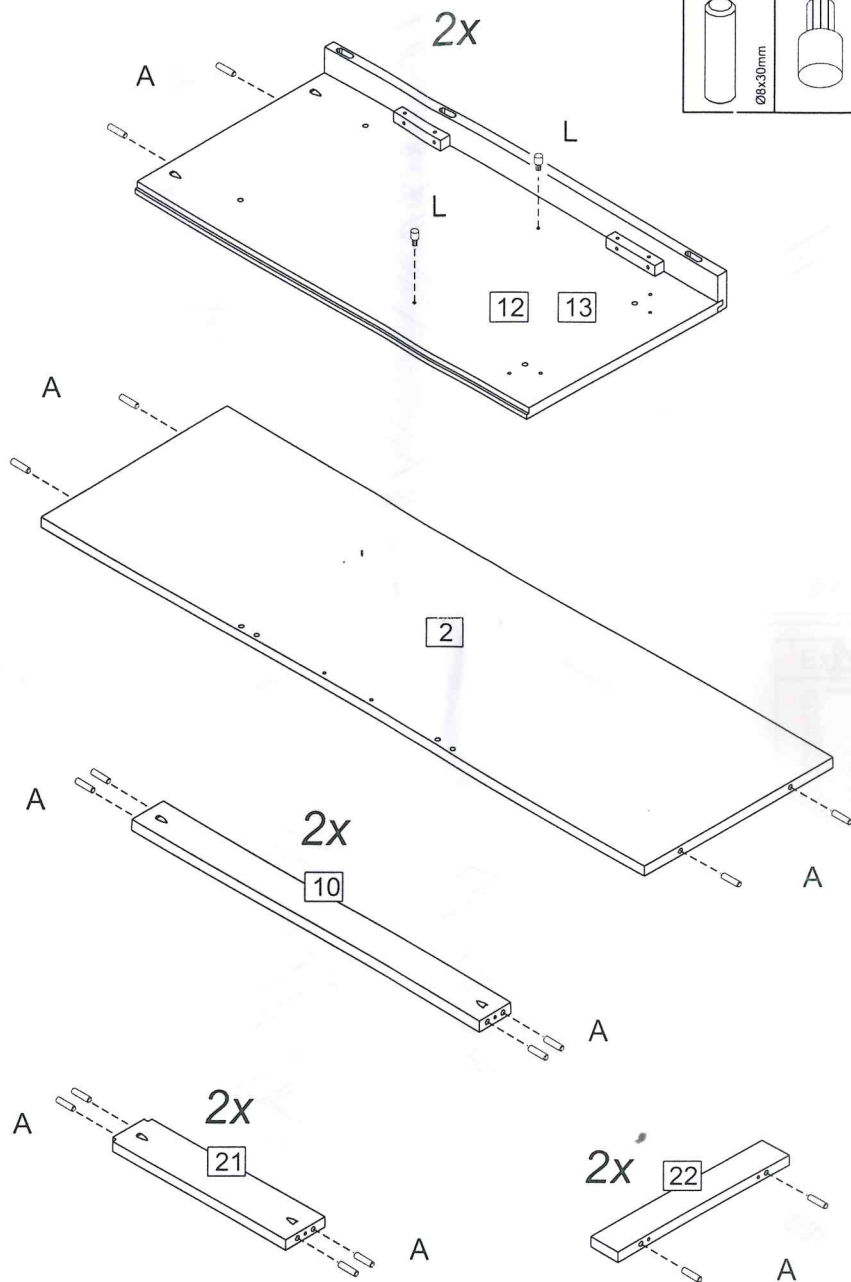


**c:**

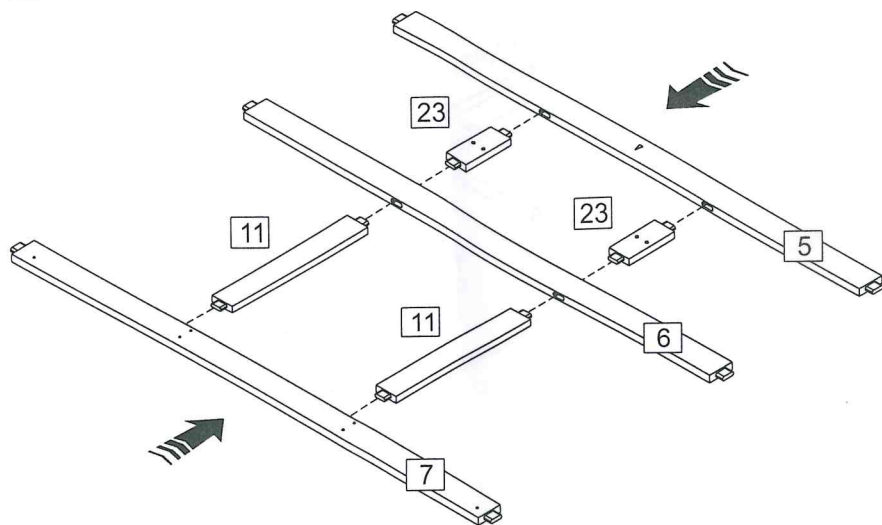


2

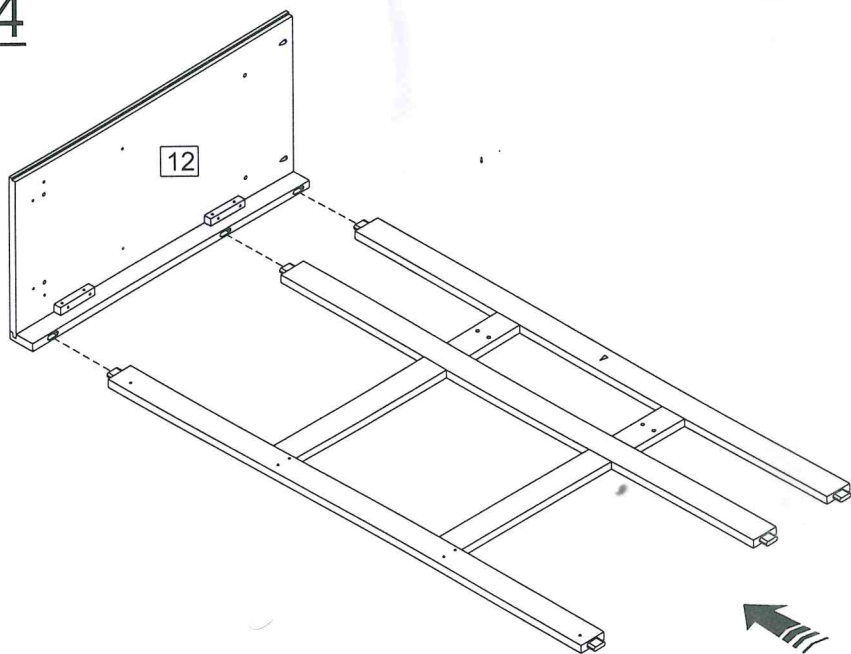
Ax28	Lx4
	
Ø8x30mm	



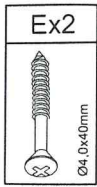
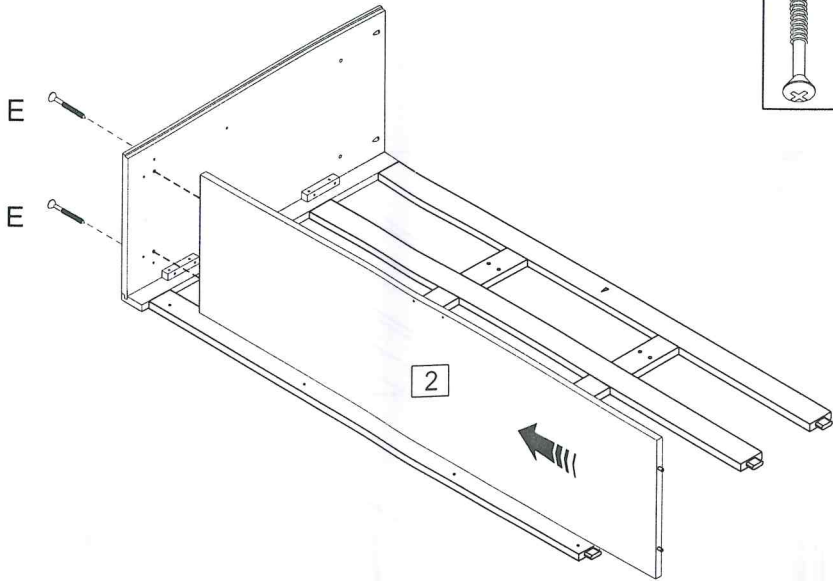
3



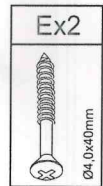
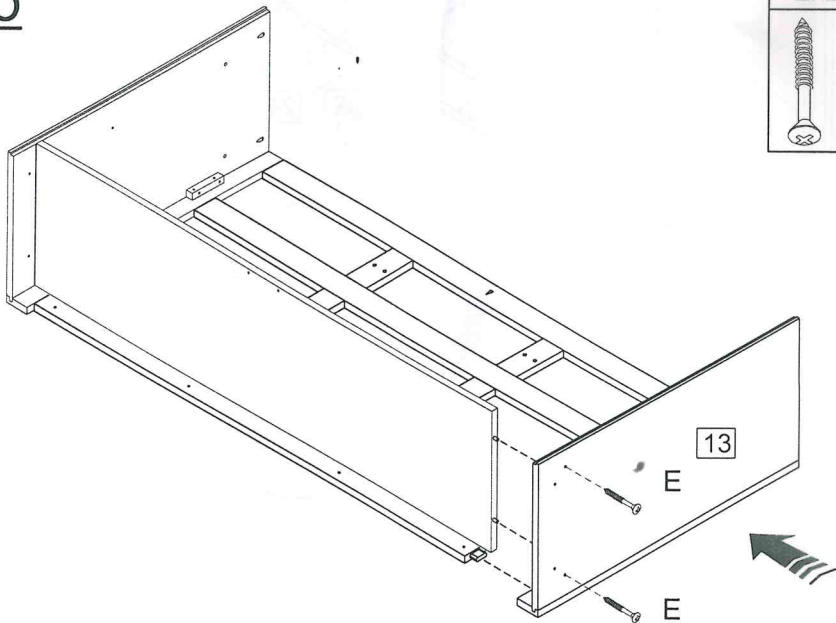
4



5

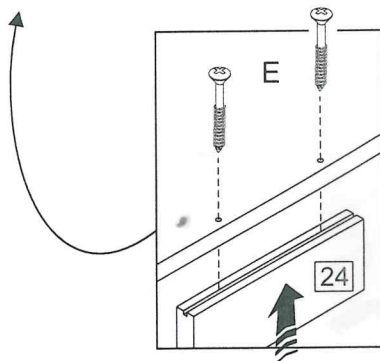
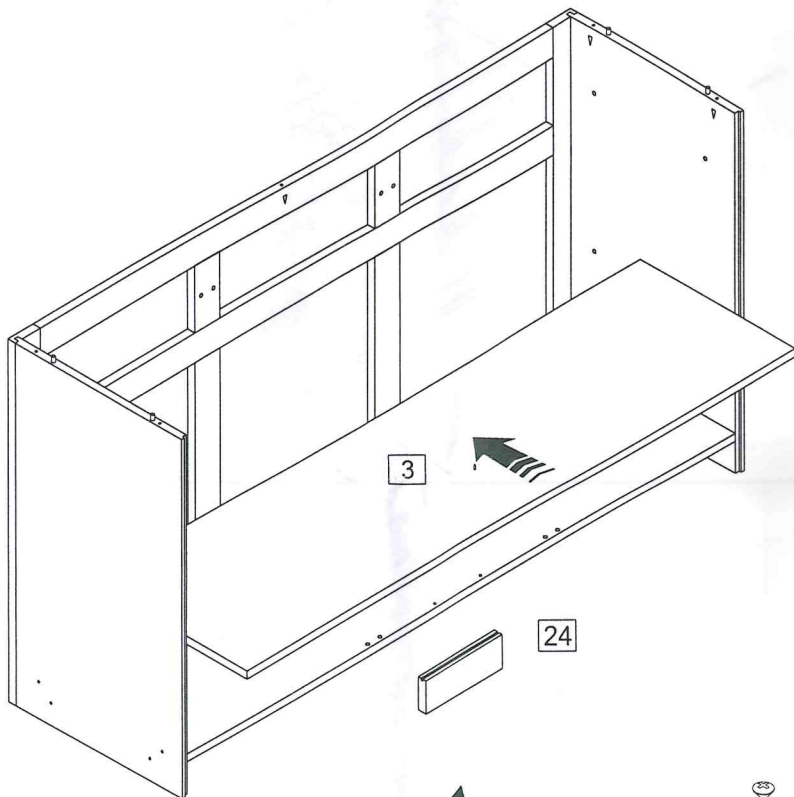
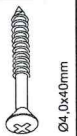


6



7

Ex2



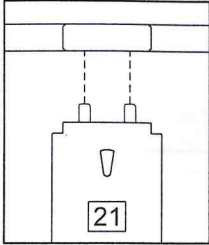


8

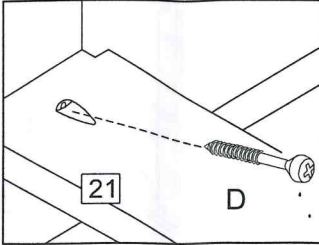
Dx4



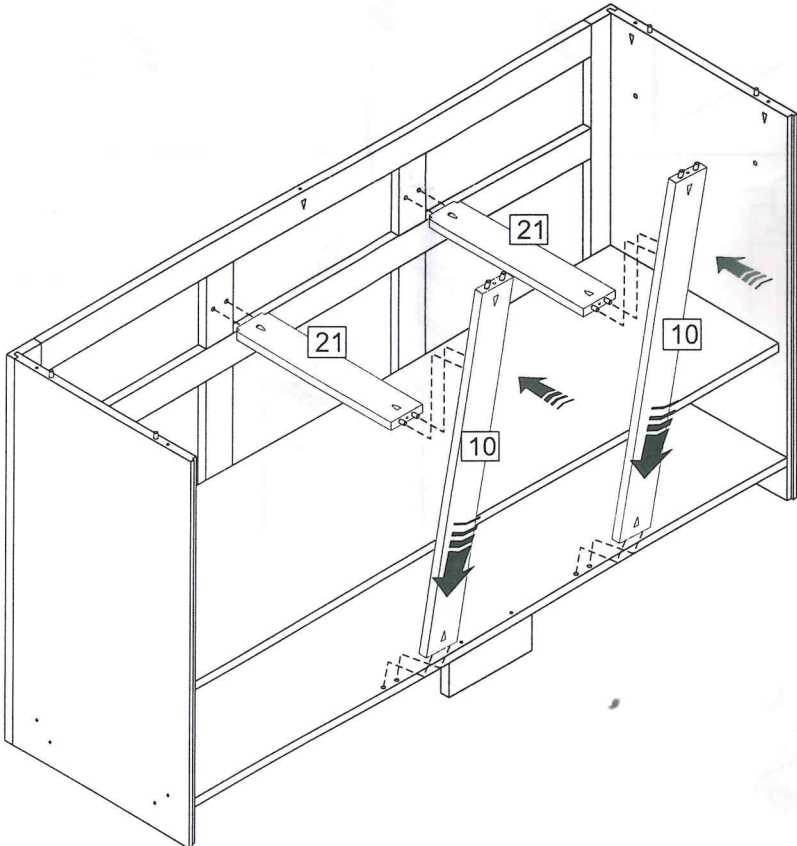
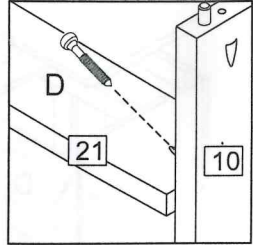
a:



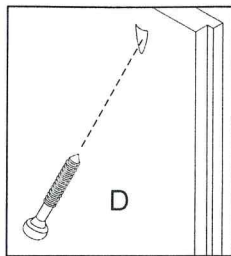
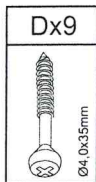
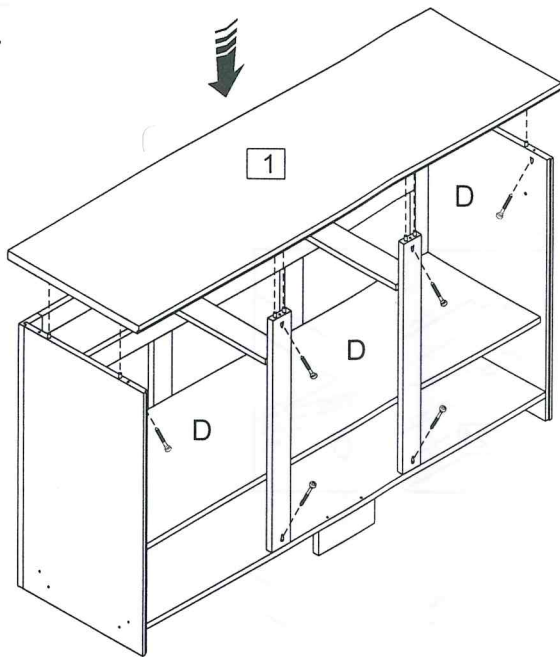
b:



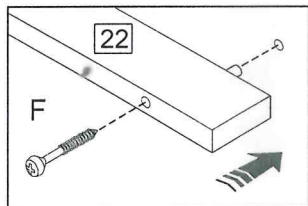
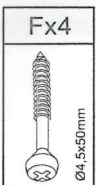
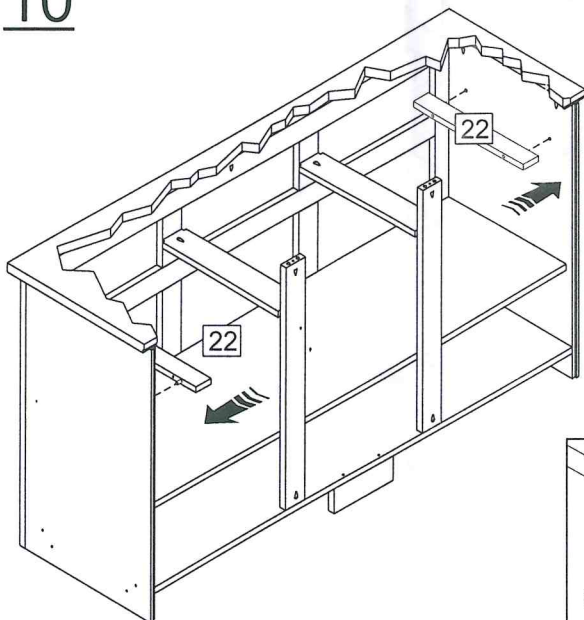
c:



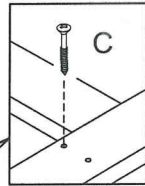
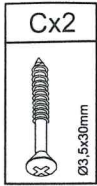
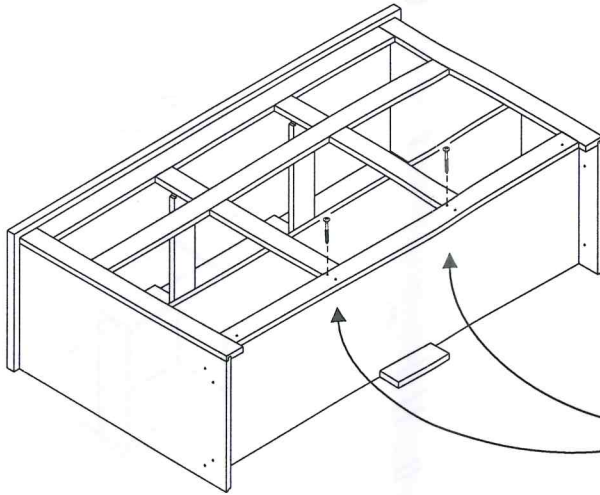
9



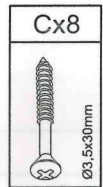
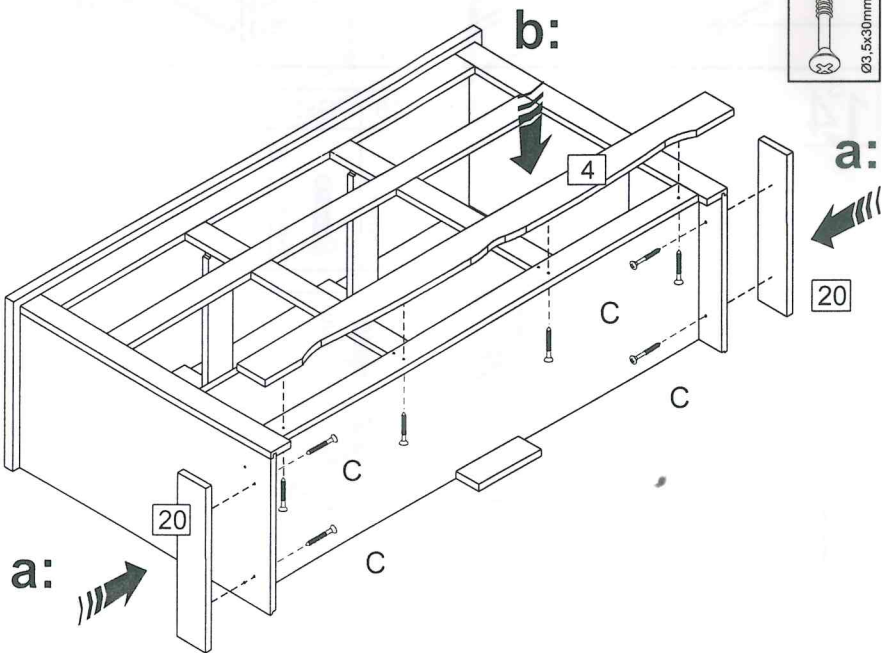
10



11






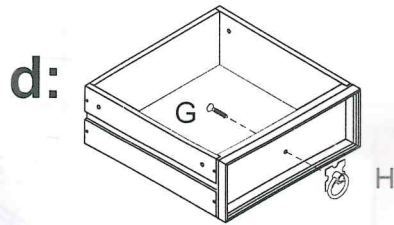
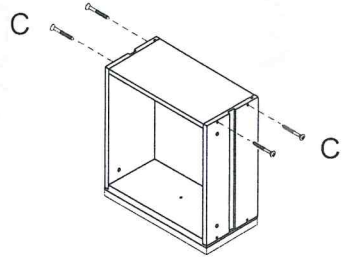
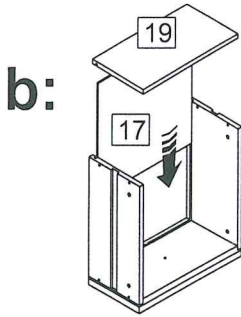
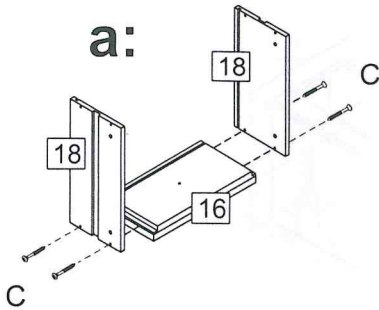
12







# 13

# 3x

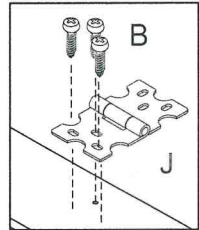
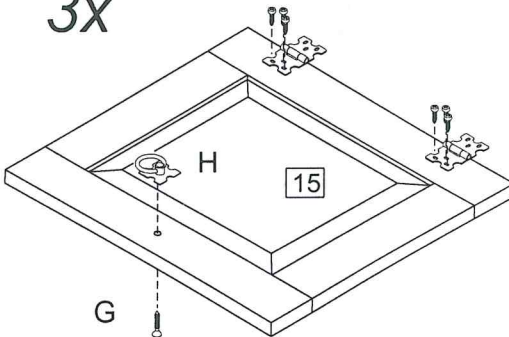
Cx24	Gx3	Hx3
		
Ø3,5x30mm	Ø5x19mm	



# 14

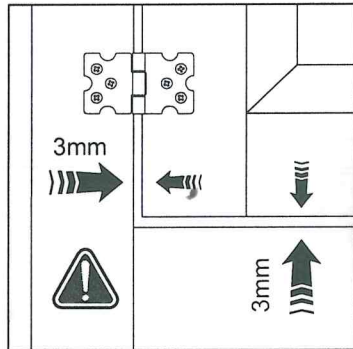
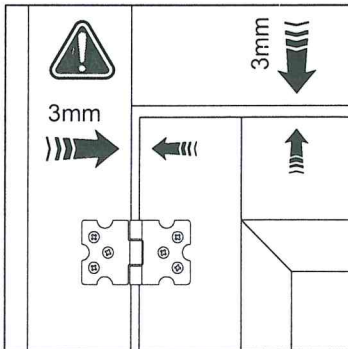
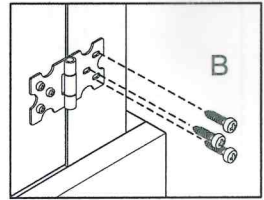
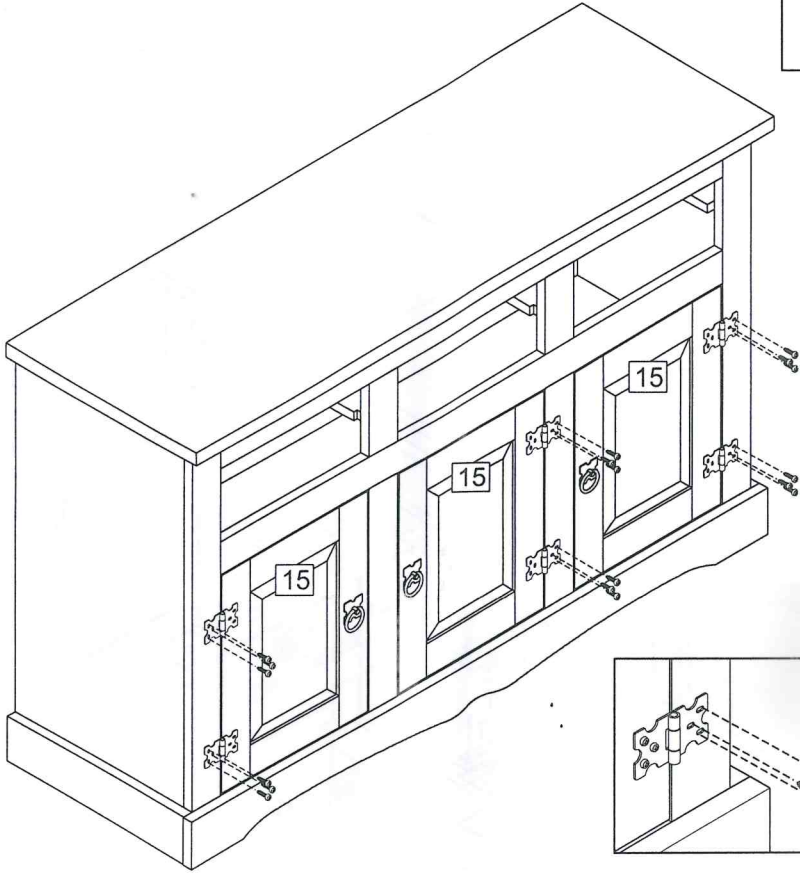
Bx18	Gx3	Hx3	Jx6
			
Ø3,5x14mm	Ø5x19mm		

# 3x



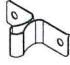


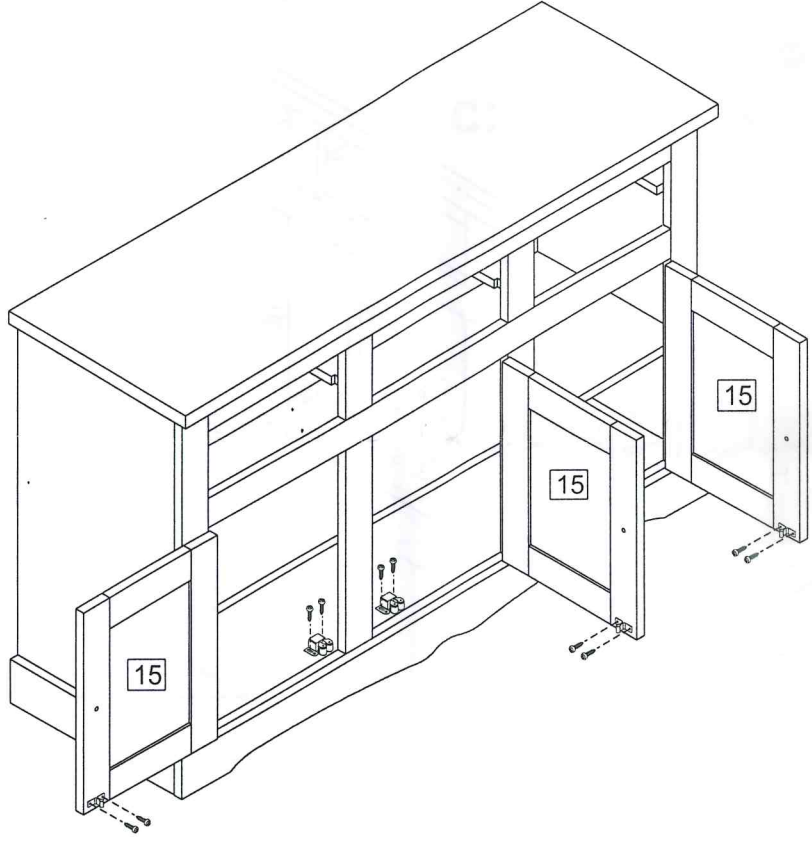
15

Bx18

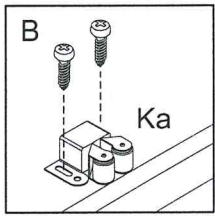


# 16

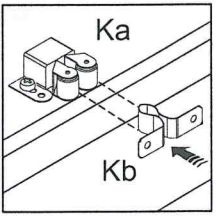
Bx12	Kax3	Kbx3
 Ø3,5x14mm		



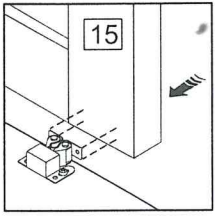
**a:**



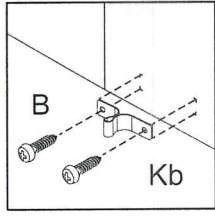
**b:**



**c:**

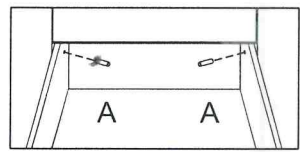
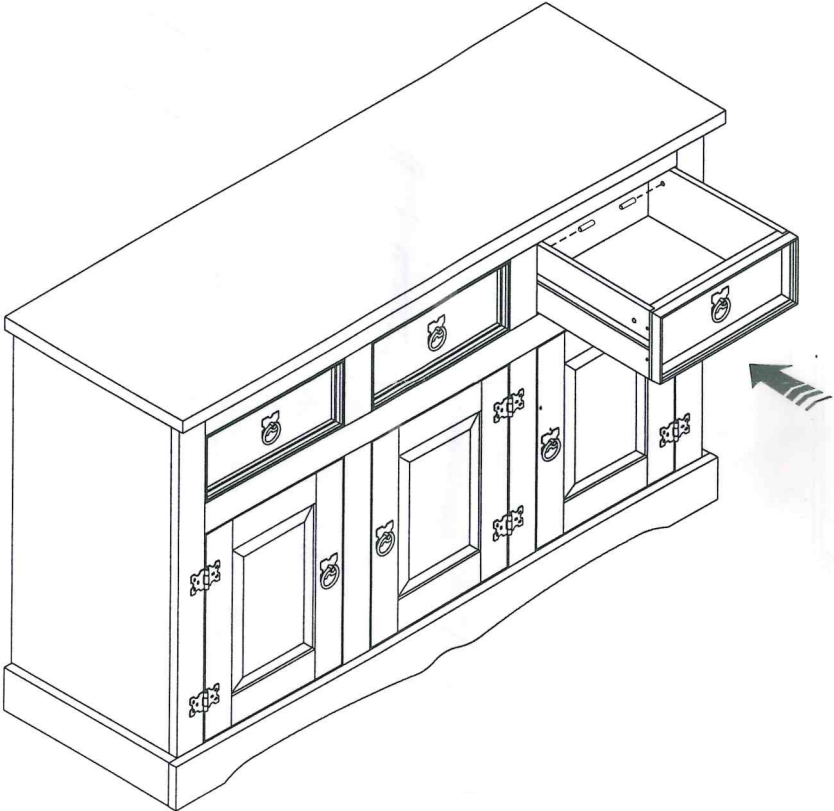
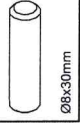


**d:**



17

Ax6



18

Mx54

