


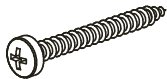


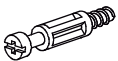




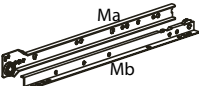
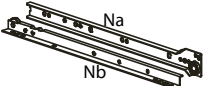
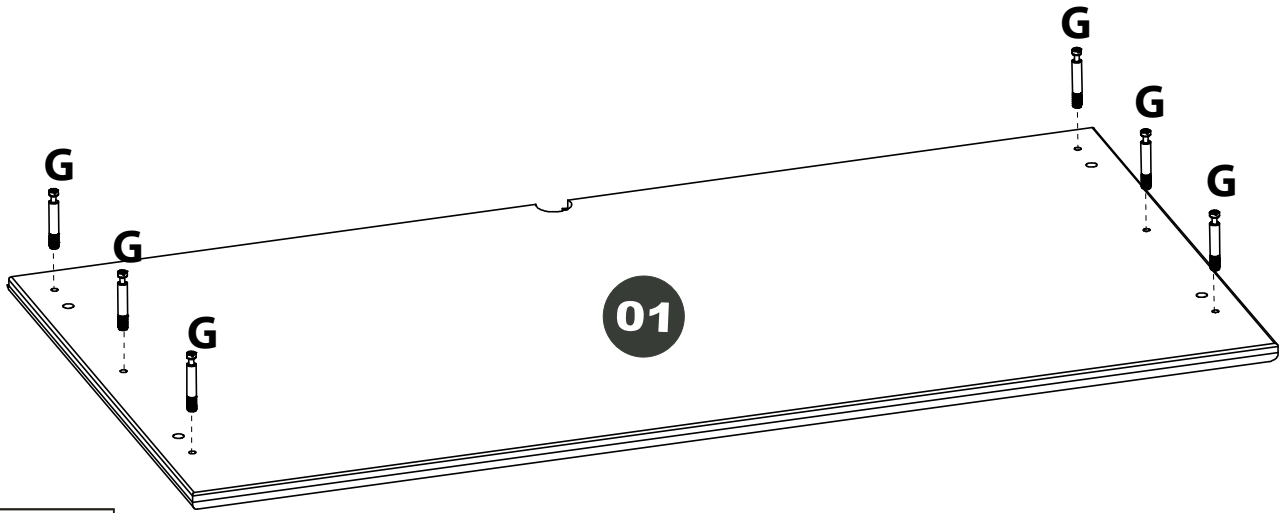
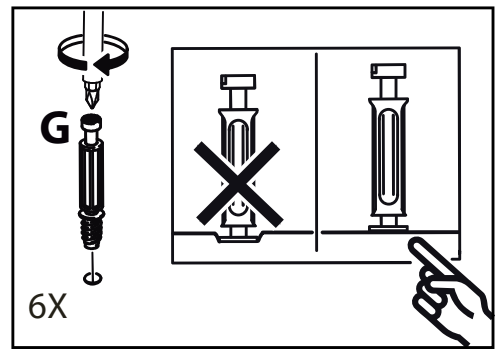


A=36  8,0 x 30mm	B=46  3,5 x 30mm	C=31  3,0 x 16mm	D=10  4,0 x 40mm	E=30  6,0 x 10mm
F=26  8,0 x 8,0mm	G=06  350mm	H=06  350mm	I=02 	J=01 
L=10 	M=05  350mm	N=05  350mm		

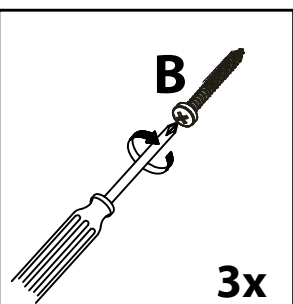
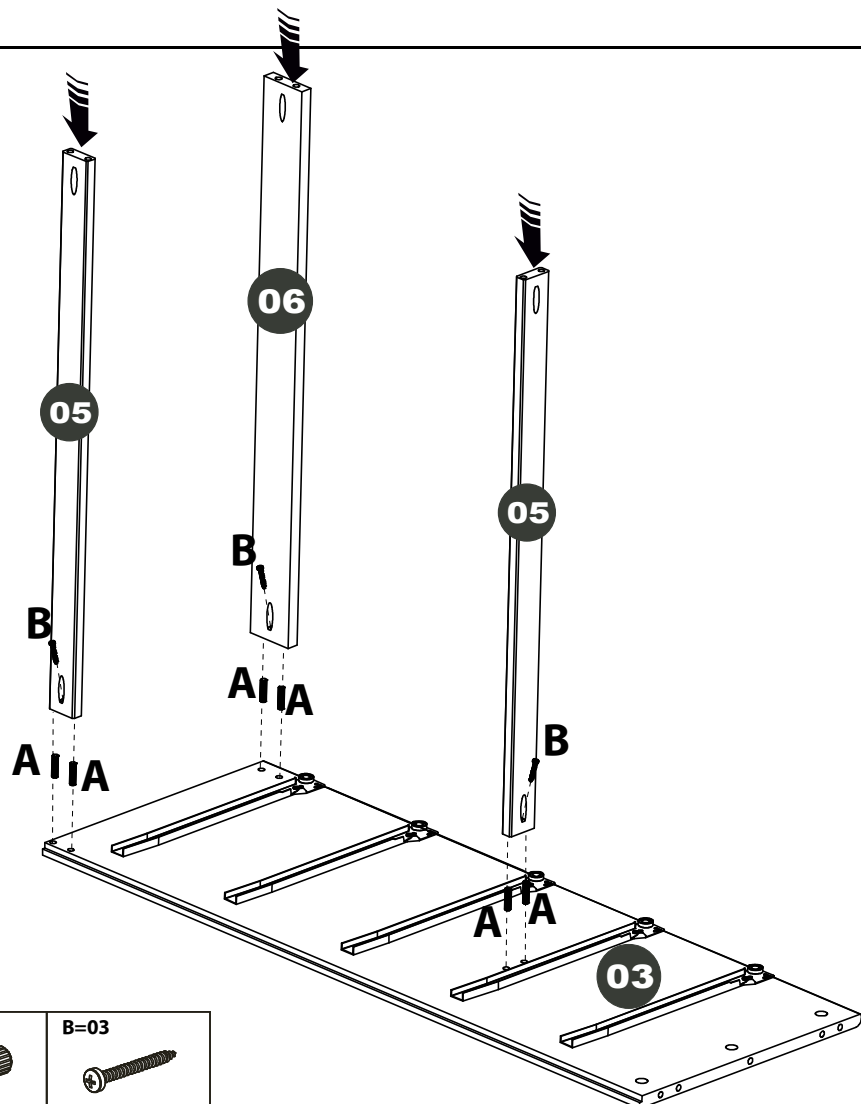
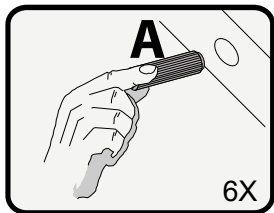
3



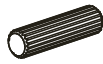
G=06



4



A=06



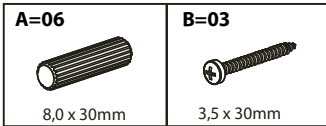
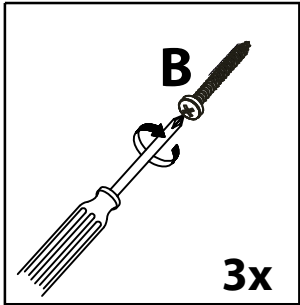
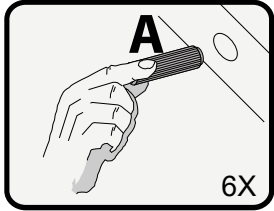
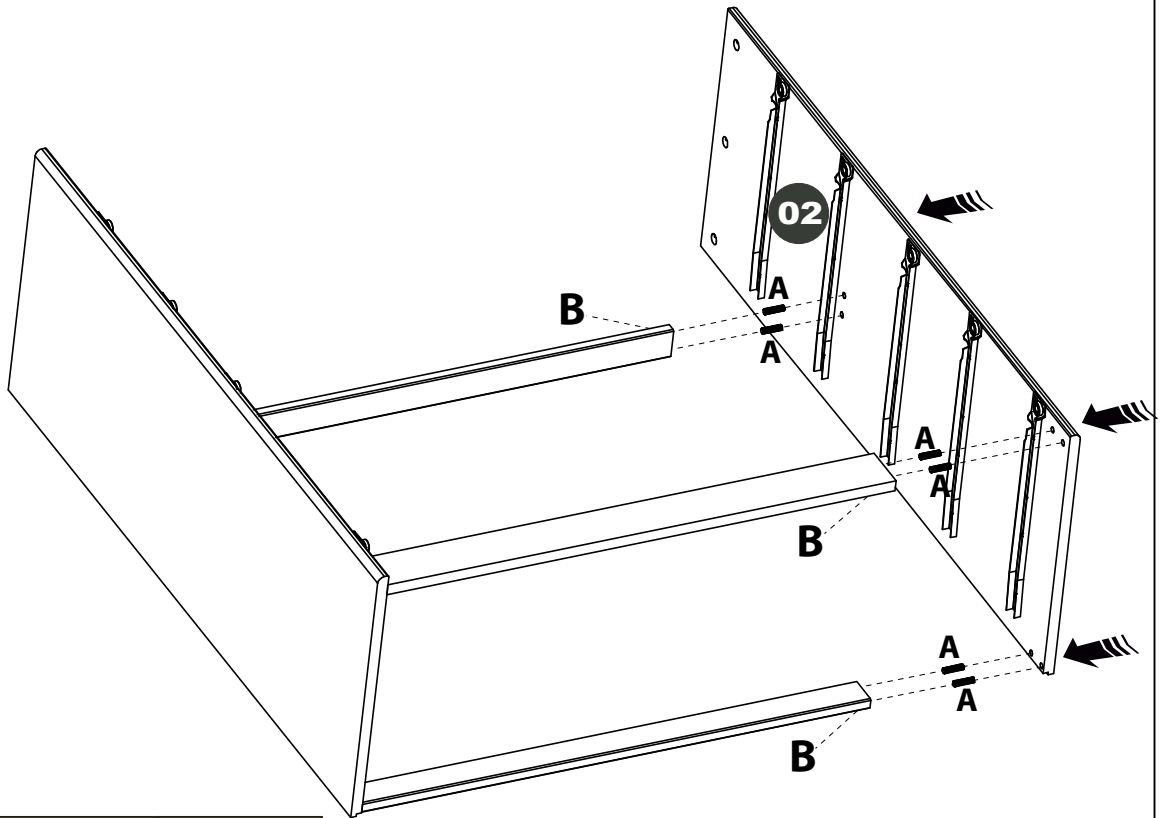
8,0 x 30mm

B=03

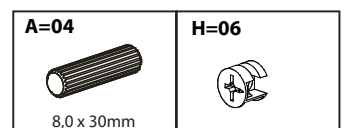
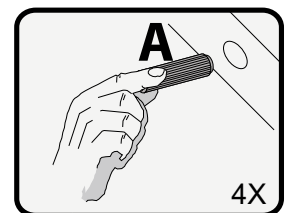
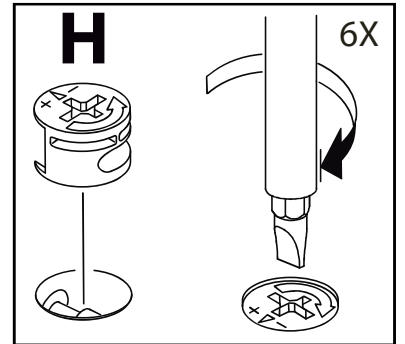
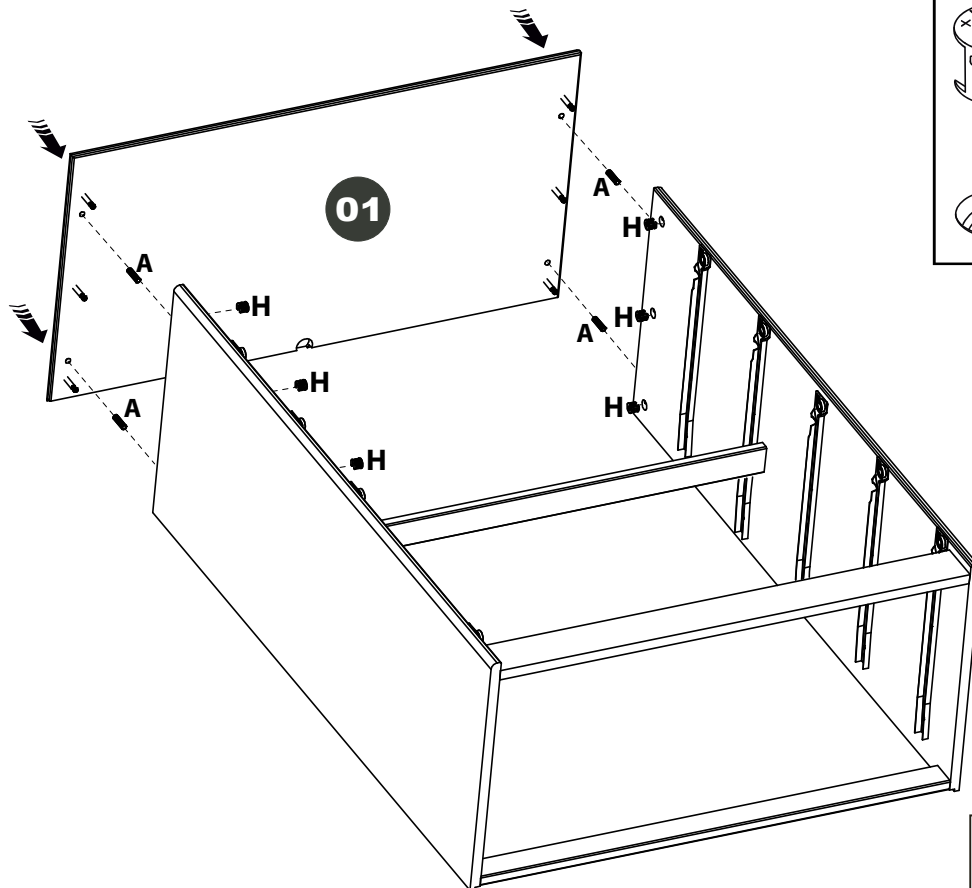


3,5 x 30mm

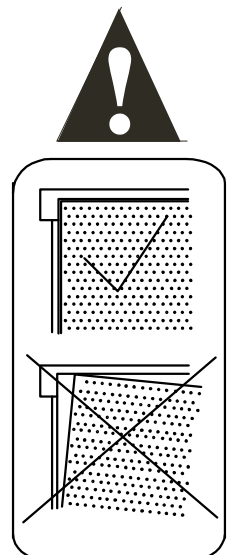
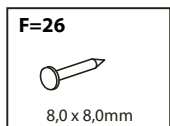
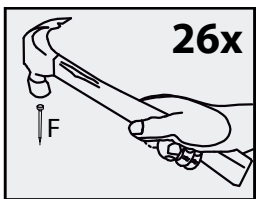
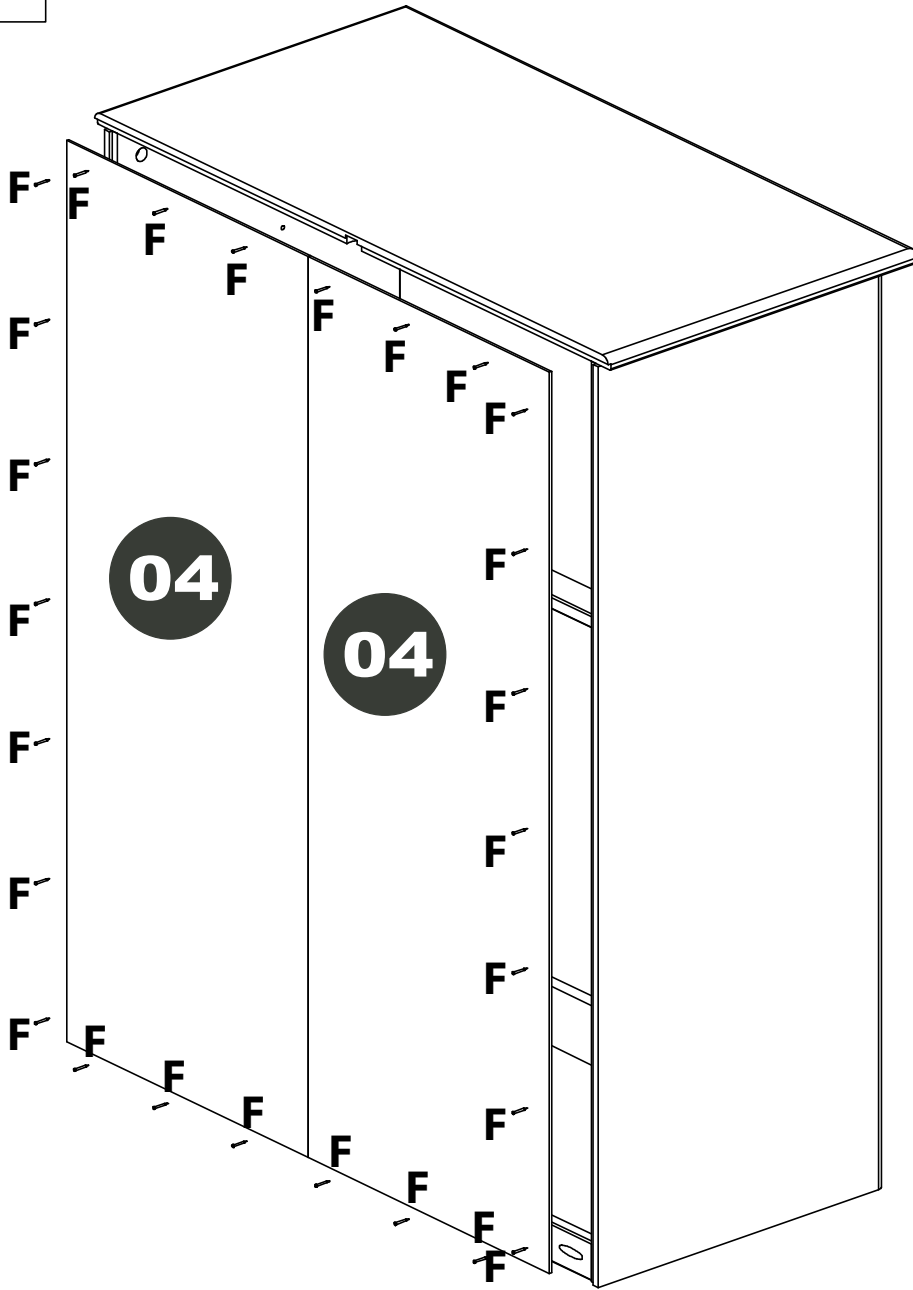
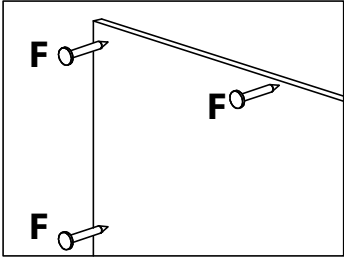
5



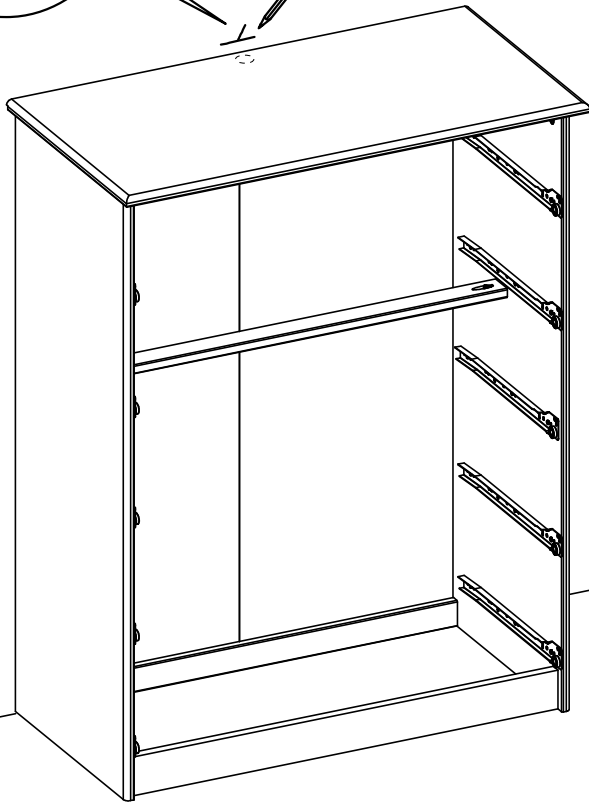
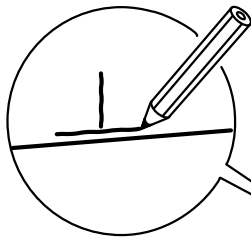
6



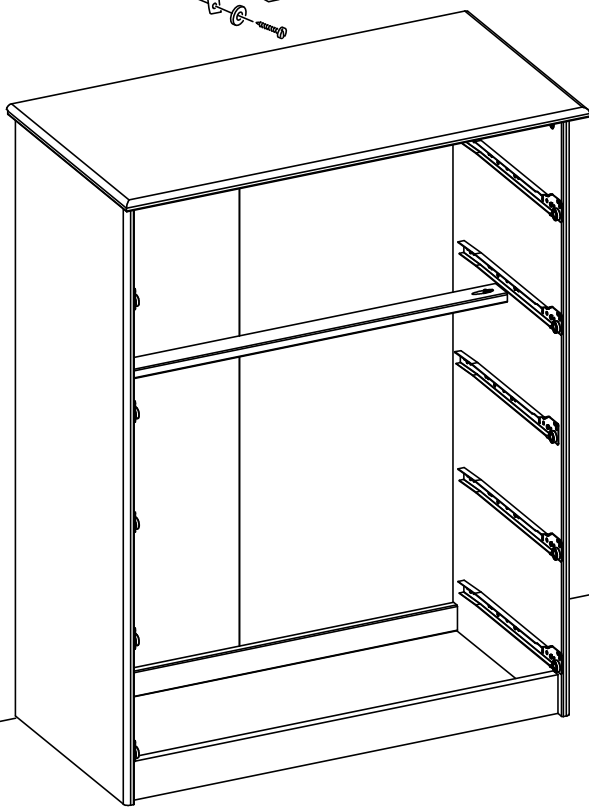
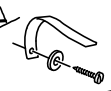
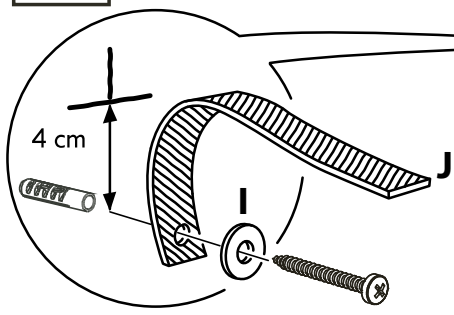
7





8

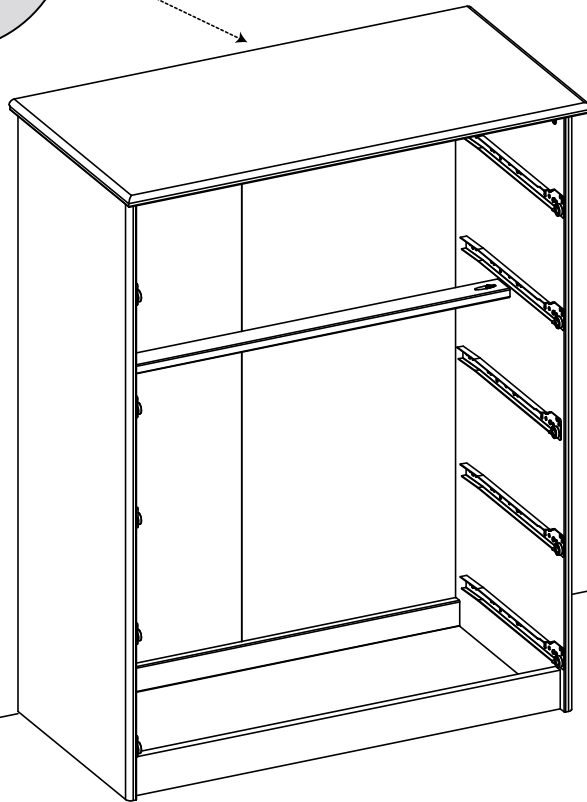
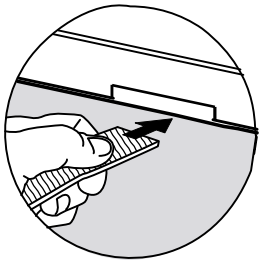


9

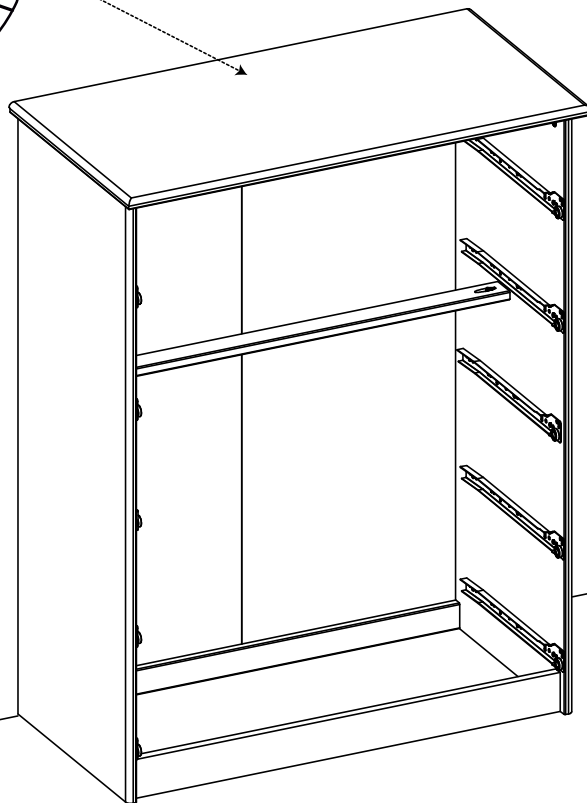
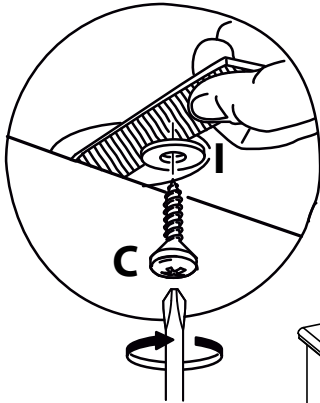




I=01	J=01
	

10



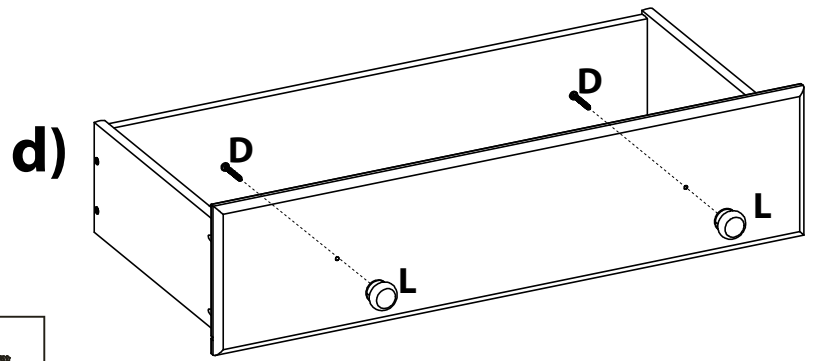
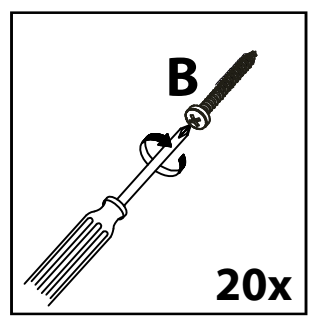
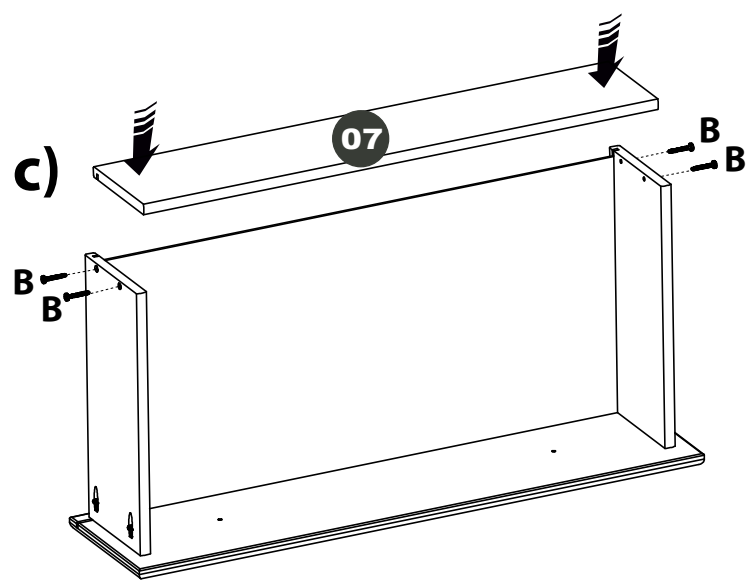
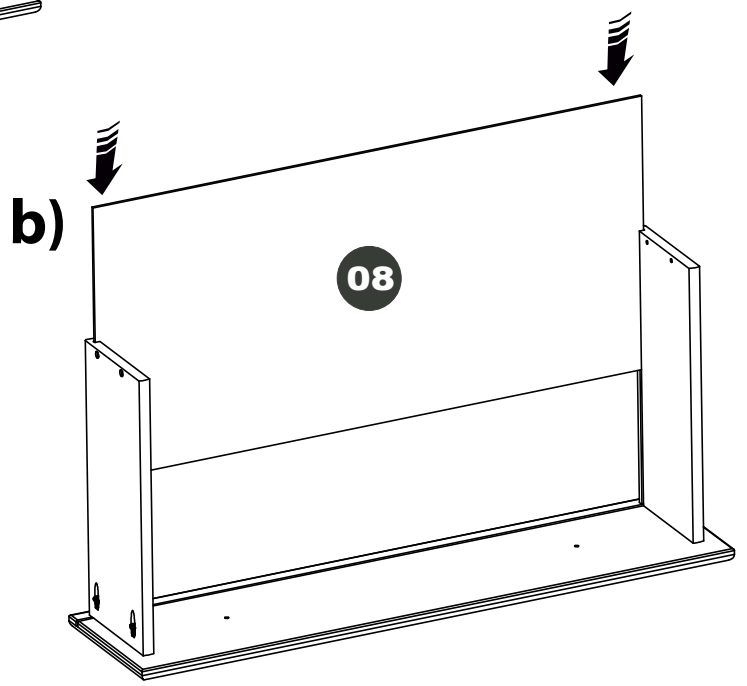
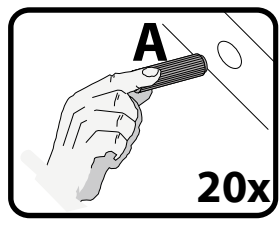
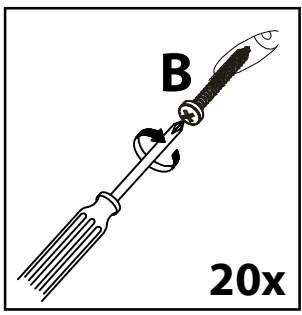
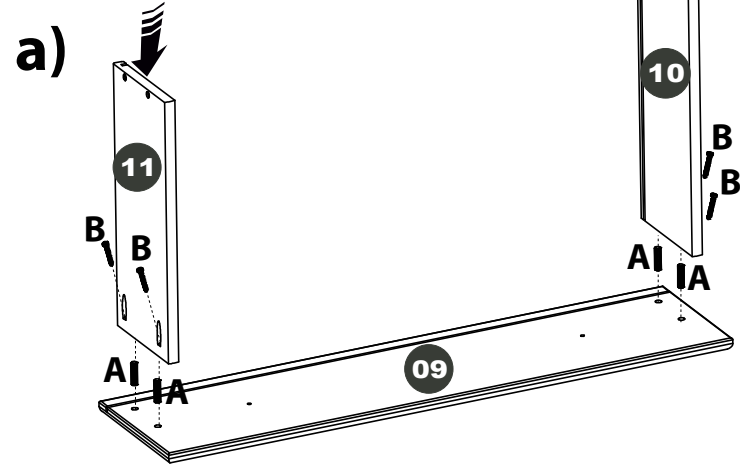
11



C=01  3,0 x 16mm	I=01 
--	--

12

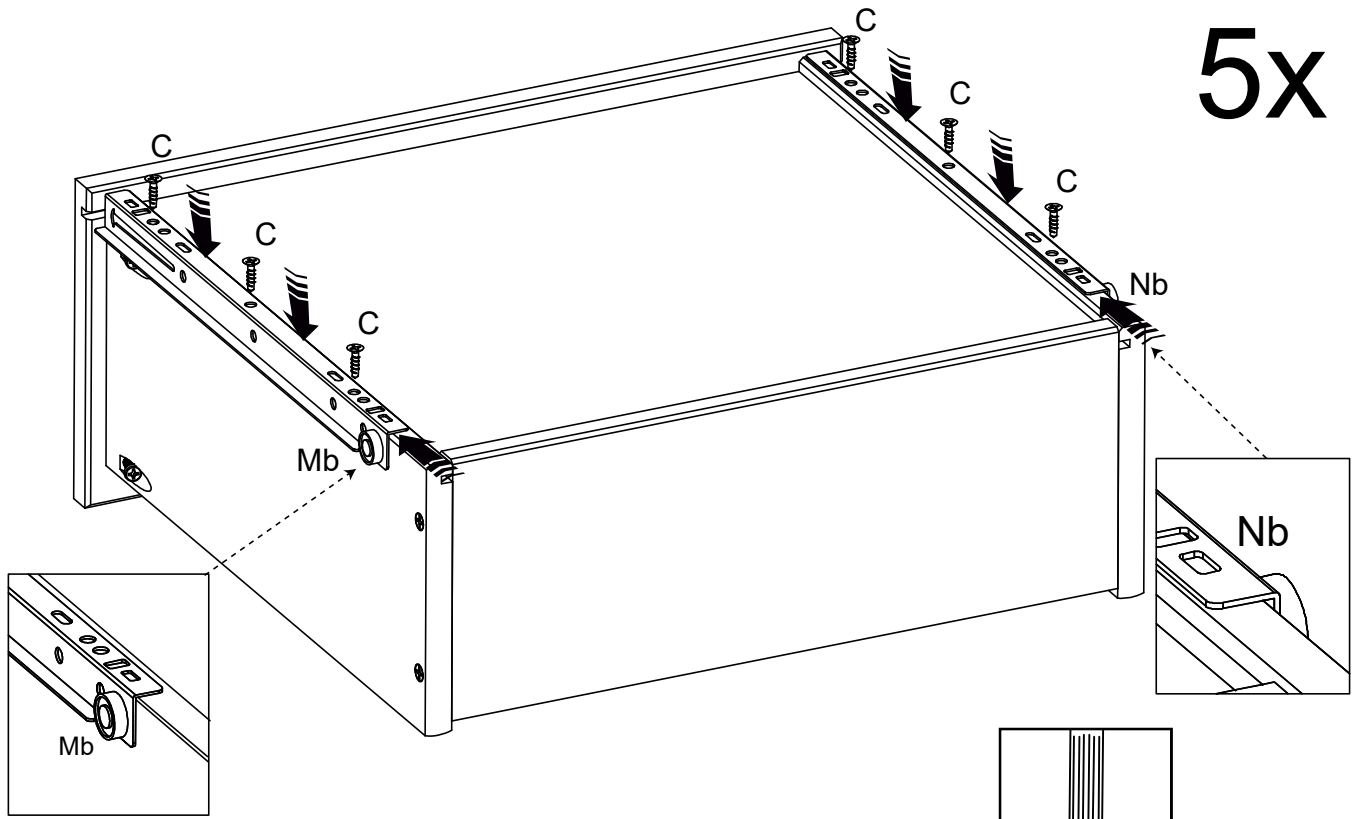
5X



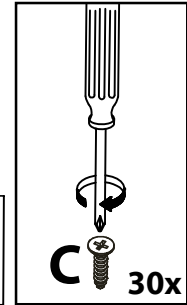
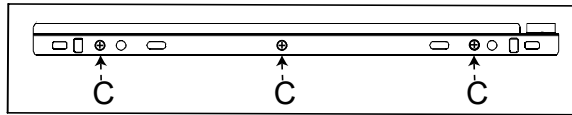
L=10	D=10	A=20	B=40
	4,0 x 40mm	8,0 x 30mm	3,5 x 30mm

13

5x



<p>M=05</p> <p>350mm</p>	<p>N=05</p> <p>350mm</p>	<p>C=30</p> <p>3,0 x 16mm</p>
---------------------------------	---------------------------------	--------------------------------------



14

